

# aiwa

**COMPACT DISC STEREO SYSTEM**  
**SISTEMA ESTEREO CON REPRODUCTOR DE DISCOS COMPACTOS**  
**CHAINE STEREO AVEC LECTEUR DE DISQUES COMPACTS**

# XR-M1000

**OPERATING INSTRUCTIONS**  
**MANUAL DE INSTRUCCIONES**  
**MODE D'EMPLOI**

**En** (English)

**E** (Español)

**F** (Français)

For assistance and information

***call toll free 1-800-BUY-AIWA***

(United States and Puerto Rico)

**U**

**COMPACT**  
**disc**  
**DIGITAL AUDIO**

## WARNING

TO REDUCE THE RISK OF FIRE OR ELECTRIC SHOCK, DO NOT EXPOSE THIS APPLIANCE TO RAIN OR MOISTURE.



### Explanation of Graphical Symbols:



The lightning flash with arrowhead symbol, within an equilateral triangle, is intended to alert the user to the presence of uninsulated "dangerous voltage" within the product's enclosure that may be of sufficient magnitude to constitute a risk of electric shock to persons.



The exclamation point within an equilateral triangle is intended to alert the user to the presence of important operating and maintenance (servicing) instructions in the literature accompanying the appliance.

### Owner's record


For your convenience, record the model number and serial number (you will find them on the rear of your set) in the space provided below. Please refer to them when you contact your Aiwa dealer in case of difficulty.

Model No.	Serial No. (Lot No.)
GE-NM1000	
MX-NM1000	
DX-NM1000	
FX-NM1000	
SX-NMT1000	

## PRECAUTIONS

Read the Operating Instructions carefully and completely before operating the unit. Be sure to keep the Operating Instructions for future reference. All warnings and cautions in the Operating Instructions and on the unit should be strictly followed, as well as the safety suggestions below.

### Installation

- Water and moisture** — Do not use this unit near water, such as near a bathtub, washbowl, swimming pool, or the like.
- Heat** — Do not use this unit near sources of heat, including heating vents, stoves, or other appliances that generate heat. It also should not be placed in temperatures less than 5°C (41°F) or greater than 35°C (95°F).
- Mounting surface** — Place the unit on a flat, even surface.
- Ventilation** — The unit should be situated with adequate space around it so that proper heat ventilation is assured. Allow 10 cm (4 in.) clearance from the rear and the top of the unit, and 5 cm (2 in.) from each side.
  - Do not place the unit on a bed, rug, or similar surface that may block the ventilation openings.
  - Do not install the unit in a bookcase, cabinet, or airtight rack where ventilation may be impeded.
- Objects and liquid entry** — Take care that objects or liquids do not get inside the unit through the ventilation openings.
- Carts and stands** — When placed or mounted on a stand or cart, the unit should be moved with care. Quick stops, excessive force, and uneven surfaces may cause the unit or cart to overturn or fall.
 
- Condensation** — Moisture may form on the CD pickup lens when:
  - The unit is moved from a cold spot to a warm spot
  - The heating system has just been turned on
  - The unit is used in a very humid room
  - The unit is cooled by an air conditioner
 When this unit has condensation inside, it may not function normally. Should this occur, leave the unit for a few hours, then try to operate again.
- Wall or ceiling mounting** — The unit should not be mounted on a wall or ceiling, unless specified in the Operating Instructions.

### Electric Power

- Power sources** — Connect this unit only to power sources specified in the Operating Instructions, and as marked on the unit.
- Polarization** — As a safety feature, some units are equipped with polarized AC power plugs which can only be inserted one way into a power outlet. If it is difficult or impossible to insert the AC power plug into an outlet, turn the plug over and try again. If it still does not easily insert into the outlet, please call a qualified service technician to service or replace the outlet. To avoid defeating the safety feature of the polarized plug, do not force it into a power outlet.
- AC power cord**
  - When disconnecting the AC power cord, pull it out by the AC power plug. Do not pull the cord itself.
  - Never handle the AC power plug with wet hands, as this could result in fire or shock.
  - Power cords should be firmly secured to avoid being severely bent, pinched, or walked upon. Pay particular attention to the cord from the unit to the power outlet.
  - Avoid overloading AC power plugs and extension cords beyond their capacity, as this could result in fire or shock.

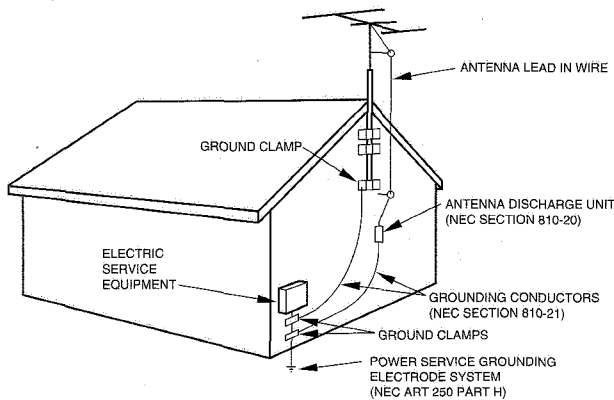
# TABLE OF CONTENTS

- 4 **Extension cord** — To help prevent electric shock, do not use a polarized AC power plug with an extension cord, receptacle, or other outlet unless the polarized plug can be completely inserted to prevent exposure of the blades of the plug.
- 5 **When not in use** — Unplug the AC power cord from the power outlet if the unit will not be used for several months or more. When the cord is plugged in, a small amount of current continues to flow to the unit, even when the power is turned off.

## Outdoor Antenna

- 1 **Power lines** — When connecting an outdoor antenna, make sure it is located away from power lines.
- 2 **Outdoor antenna grounding** — Be sure the antenna system is properly grounded to provide protection against unexpected voltage surges or static electricity build-up. Article 810 of the National Electrical Code, ANSI/NFPA 70, provides information on proper grounding of the mast, supporting structure, and the lead-in wire to the antenna discharge unit, as well as the size of the grounding unit, connection to grounding terminals, and requirements for grounding terminals themselves.

Antenna Grounding According to the National Electrical Code



NEC-NATIONAL ELECTRICAL CODE

## Maintenance

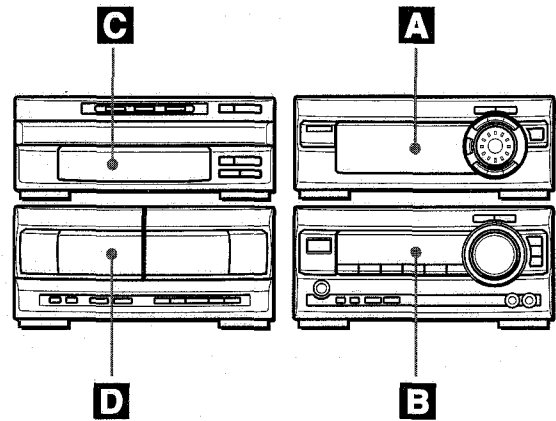
Clean the unit only as recommended in the Operating Instructions.

## Damage Requiring Service

Have the units serviced by a qualified service technician if:

- The AC power cord or plug has been damaged
- Foreign objects or liquid have gotten inside the unit
- The unit has been exposed to rain or water
- The unit does not seem to operate normally
- The unit exhibits a marked change in performance
- The unit has been dropped, or the cabinet has been damaged

**DO NOT ATTEMPT TO SERVICE THE UNIT YOURSELF.**



**PRECAUTIONS** ..... 2

## PREPARATIONS

**CONNECTIONS** ..... 4  
**REMOTE CONTROL** ..... 6  
**BEFORE OPERATION** ..... 6  
**AUDIO ADJUSTMENTS** ..... 7

## A GRAPHIC EQUALIZER

**PARTS INDEX** ..... 8  
**GRAPHIC EQUALIZER** ..... 8  
**DSP SURROUND** ..... 10  
**RHYTHM PLAY FUNCTION (BEAT MASTER)** ..... 12  
**SETTING THE CLOCK** ..... 13  
**SETTING THE SLEEP TIMER** ..... 13  
**SETTING THE TIMER** ..... 14

## B STEREO RECEIVER

**PARTS INDEX** ..... 16  
**RADIO RECEPTION** ..... 16  
**PRESETTING STATIONS** ..... 17  
**MICROPHONE MIXING (KARAOKE)** ..... 18

## C CD PLAYER

**PARTS INDEX** ..... 20  
**CD PLAYING** ..... 20  
**PROGRAMMED PLAY** ..... 22  
**KARAOKE PROGRAM** ..... 23

## D CASSETTE DECK

**PARTS INDEX** ..... 24  
**TAPE PLAYBACK** ..... 24  
**CONTINUOUS PLAY** ..... 25  
**BASIC RECORDING** ..... 26  
**DUBBING A TAPE MANUALLY** ..... 27  
**DUBBING THE WHOLE TAPE** ..... 27  
**AI EDIT RECORDING** ..... 28  
**PROGRAMMED EDIT RECORDING** ..... 29

## GENERAL

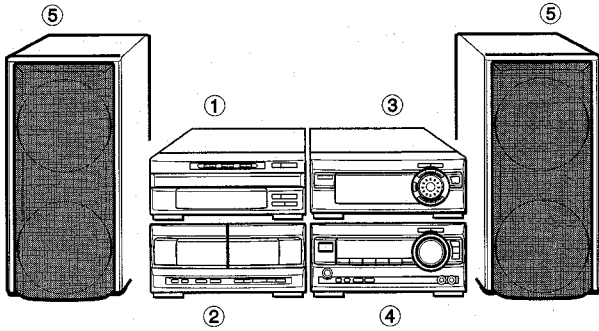
**CONNECTING OPTIONAL EQUIPMENT** ..... 30  
**LISTENING TO EXTERNAL SOURCES** ..... 30  
**CARE AND MAINTENANCE** ..... 31  
**TROUBLESHOOTING GUIDE** ..... 32  
**SPECIFICATIONS** ..... 33

En

# PREPARATIONS

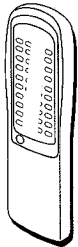
## CONNECTIONS

### Check your system and accessories

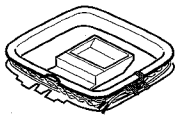


- ① DX-NM1000 Compact disc player
- ② FX-NM1000 Stereo cassette deck
- ③ GE-NM1000 Graphic equalizer
- ④ MX-NM1000 Stereo receiver
- ⑤ SX-NMT1000 Front speakers

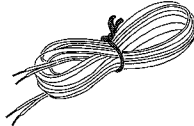
Remote control



AM antenna



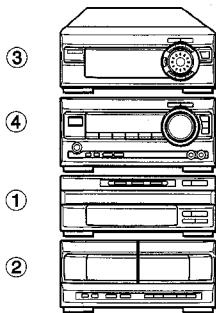
FM antenna



Operating Instructions, etc.

### Setting up the units

Place the units horizontally as the illustration above.  
When placing them vertically, refer to the illustration as follows.



### NOTE

- Do not place the stereo cassette deck on the CD player. The top window of the CD player may be damaged.
- Make sure that the stereo cassette deck is placed on the left side of the stereo receiver. It may generate some noises or may prevent the stereo system from proper functioning if the stereo cassette deck is placed on the right side of or on the stereo receiver, or if the stereo receiver is placed on the stereo cassette deck.

### IMPORTANT

Connect the speakers, antennas, and all optional equipment first. Then connect the AC cord in the end.

### Before connecting the AC cord

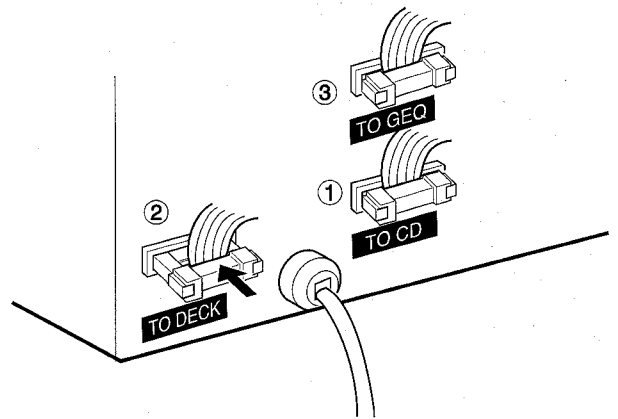
The rated voltage of your unit shown on the rear panel of the stereo receiver is 120 V AC. Check that the rated voltage matches your local voltage.

### Speakers

The speaker placed on the right side of the unit facing you is "the right speaker" and the other one is "the left speaker".

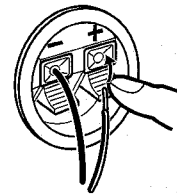
### 1 Connect the flat cables of DX-NM1000 ①, FX-NM1000 ② and GE-NM1000 ③ to MX-NM1000.

Push the connector until it clicks.



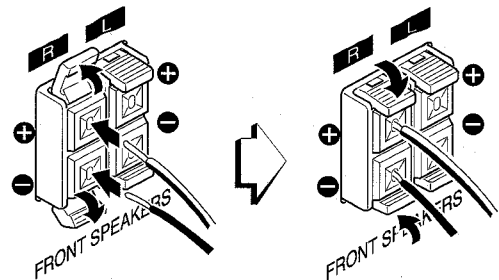
### 2 Connect the speaker cords to the SX-NMT1000 front speakers.

Connect the cords with the white stripes to ⊕ terminals and the other cords to ⊖ terminals.

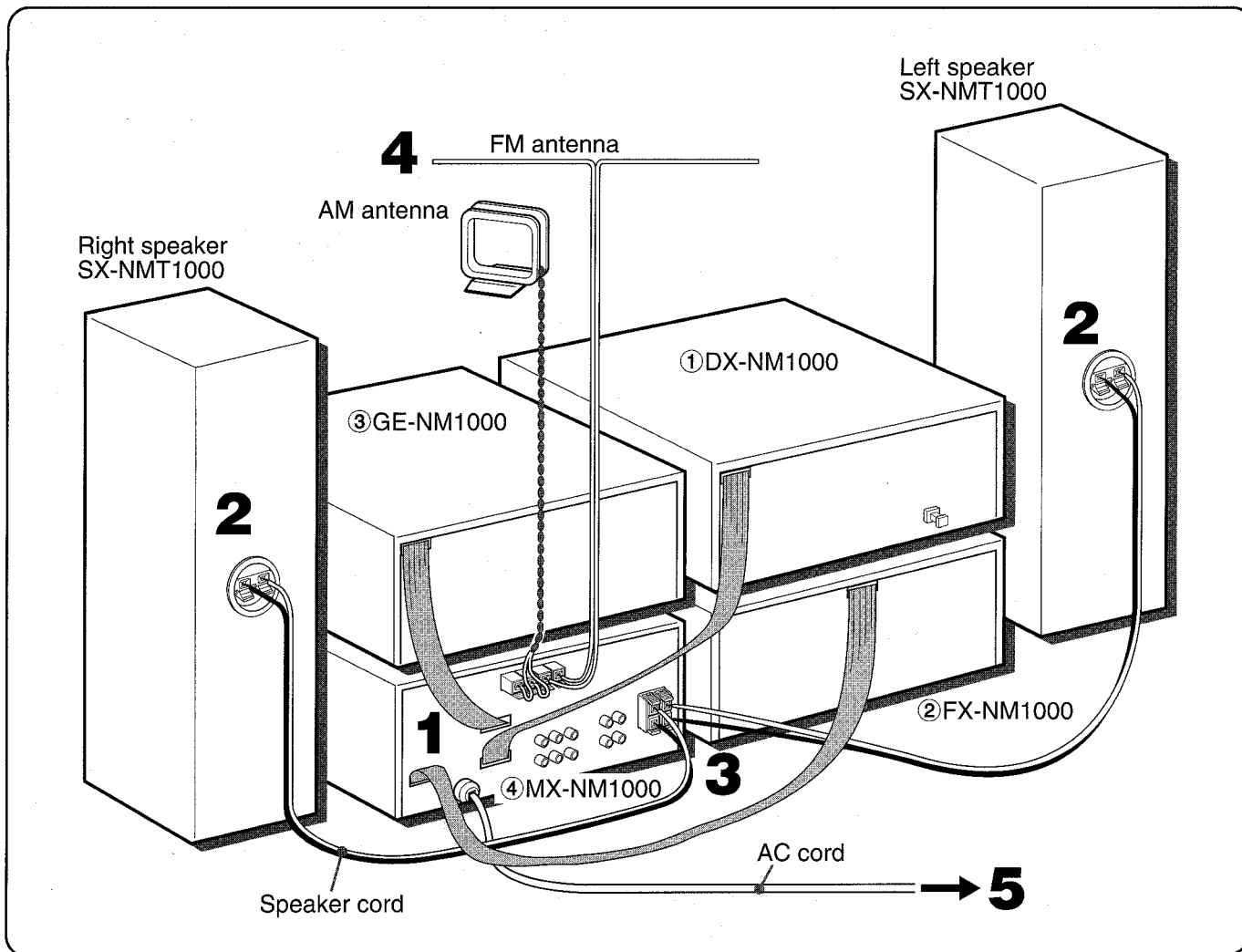


### 3 Connect the speaker cords to MX-NM1000.

Connect the cords with the white stripes to ⊕ terminals and the other cords to ⊖ terminals.

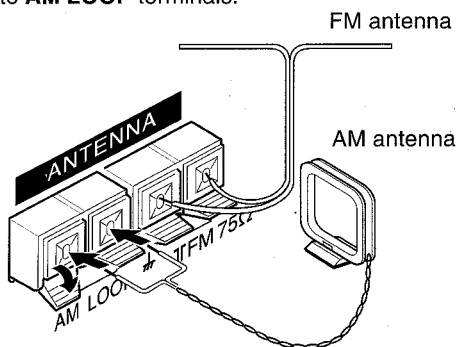






**4 Connect the supplied antennas.**

Connect the FM antenna to **FM 75 Ω** terminals and the AM antenna to **AM LOOP** terminals.



**To position the antennas**

**FM antenna:**

Extend this antenna horizontally in a T-shape and fix its ends to the wall.

**AM antenna:**

Position to find the best possible reception.

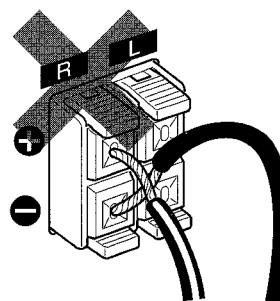
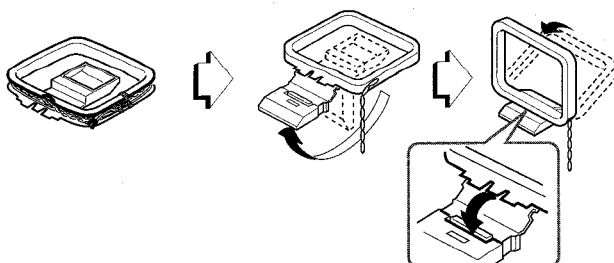
**NOTE**

- Be sure to connect the speaker cords correctly. Improper connections can cause short circuits in **SPEAKERS** terminals.

**5 Connect the AC cord to an AC outlet.**

**To stand the AM antenna on a surface**

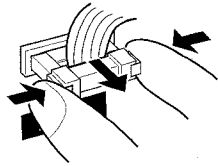
Fix the claw to the slot.



- Do not leave objects generating magnetism, such as credit cards, near the speakers, as these objects may be damaged.
- Do not bring the FM antenna near metal objects or curtain rails.
- Do not bring the AM antenna near other optional equipment, the stereo system itself, the AC cord or speaker cords, since noise will be picked up.
- Do not unwind the AM antenna wire.

En

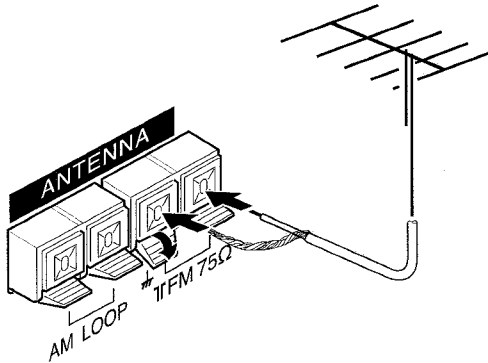
**To unplug the connector of the flat cable**  
Press the tabs and pull out.



## CONNECTING AN OUTDOOR ANTENNA

For better FM reception, use of an outdoor antenna is recommended.

Connect the outdoor antenna to **FM 75 Ω** terminals.

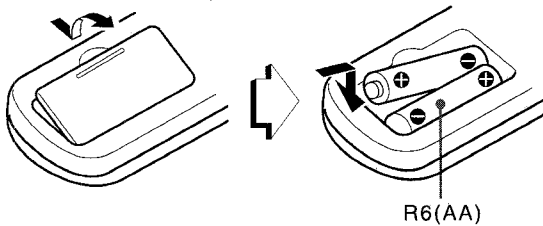


To connect other optional equipment → page 30.

## REMOTE CONTROL

### Inserting batteries

Detach the battery cover on the rear of the remote control and insert two R6 (size AA) batteries.



### When to replace the batteries

The maximum operational distance between the remote control and the sensor on the main unit should be approximately 5 meters (16 feet). When this distance decreases, replace the batteries with new ones.

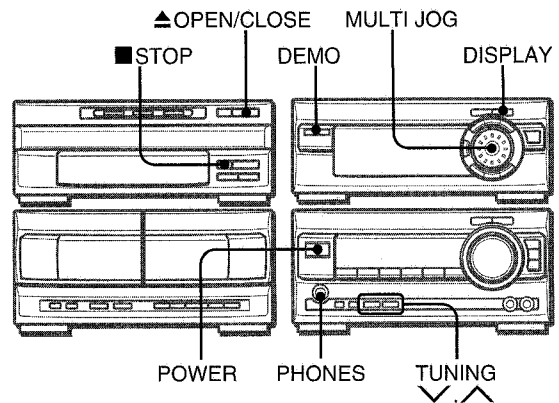
### Using the remote control

The instructions in this manual refer mainly to the buttons on the main unit. Buttons on the remote control with the same names as those on the main unit can be used as well.

### NOTE

- If the remote control is not going to be used for an extended period of time, remove the batteries to prevent possible electrolyte leakage.
- The remote control may not operate correctly when:
  - The line of sight between the remote control and the remote sensor inside the display window is exposed to intense light, such as direct sunlight
  - Other remote controls are used nearby (those of a television, etc.)

## BEFORE OPERATION



### To turn the power on

Press one of the function buttons (**TAPE**, **TUNER**, **VIDEO/AUX**, **CD**, **MD**). Playback of the inserted disc or tape begins, or the previously tuned station is received (Direct Play Function).

**POWER** is also available.

When the unit is turned on, the disc compartment may open and close to reset the unit.

### To turn the power off

Press **POWER**.

### Using the headphones

Connect headphones to the **PHONES** jack with a standard stereo plug (ø6.3 mm, 1/4 inch).

No sound is output from the speakers while the headphones are plugged in.

## ILLUMINATION AND DISPLAY

### Flash window

The window on the top of the CD player lights up or flashes while the unit is being powered on.

To turn off, press **STOP** of the CD player while pressing **OPEN/CLOSE**. To turn back on, repeat the above.

### To dim the illumination of the display

- 1 Press **DISPLAY** twice so that "DIMMER" is displayed.
- 2 Within 4 seconds, turn **MULTI JOG** to select the dimmer mode as follows.



**DIMMER 0:** The normal display.

**DIMMER 1:** The illumination of the display is dimmer than usual.

**DIMMER 2:** The illumination of the display is dimmer than DIMMER 1, and the spectrum analyzer and illumination on the buttons disappear.

### To change the spectrum analyzer display

4 patterns of spectrum analyzer display can be shown.

Press **DISPLAY** once, and turn **MULTI JOG** within 4 seconds to select the desired spectrum analyzer display.

## GAME DEMO

When the AC cord is connected or **DEMO** is pressed, the display windows start the demonstration and you can enjoy the game Demo.

- The demonstration is canceled when the power is turned on.

### To play the game Demo

- 1 Press **DEMO** so that the game Demo displays.
- 2 Press **TUNING**  $\wedge$ .  
Three numbers on the display start to run.
- 3 Press **TUNING**  $\vee$  once.  
The number on the left side stops.
- 4 Press **TUNING**  $\vee$  twice to stop the remaining two numbers.
  - You can enjoy the game Demo with game sound while the power is on.

#### Scoring:

20 points are given to start the game.

If all the numbers are equal, 50 points are added to the score.

If not equal, one point is subtracted.

If the gained points reach 9999, you win.

If the gained points fall to 0, you lose.

### To cancel the game Demo

Press **DEMO**. To re-activate the game Demo, press **DEMO** again.

### To reset the game Demo

Press **DEMO** twice, then press **TUNING**  $\wedge$ . The game starts again.

### To mute the game sound

Once, cancel the game Demo by pressing **DEMO**. Then, keep pressing **DEMO** until "OFF" is displayed.

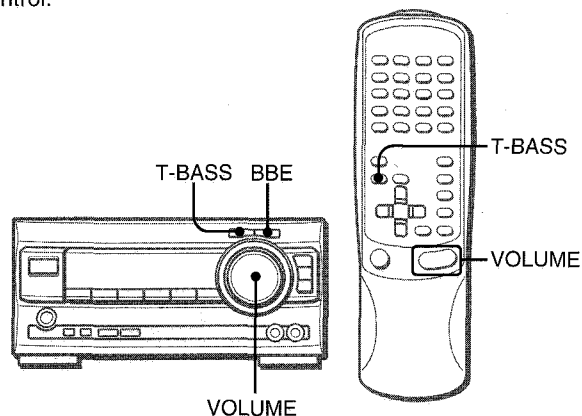
To restore the game sound, keep pressing **DEMO** again until "ON" is displayed.

#### NOTE

- During the game Demo, **TUNING**  $\vee$  and **TUNING**  $\wedge$  are available only for the game Demo. Cancel the game Demo to use these buttons for the functions such as tuning or presetting a station, etc.
- To change the game sound, see "RHYTHM PLAY FUNCTION" on page 12.
- During the game Demo, some indicators unrelated with the actual operation light up on the display.

## AUDIO ADJUSTMENTS

Use the buttons and controls on the stereo receiver or the remote control.



### VOLUME

Turn **VOLUME** on the stereo receiver, or press **VOLUME** on the remote control.

The volume level is displayed as a number from 0 to MAX (50). The volume level is automatically set to 20 when the power is turned off with the volume level set to 21 or more.

### BBE SYSTEM

The BBE system enhances the clarity of high-frequency sound. It also enriches the Karaoke function to make your voice sound clear and pleasant.

**Press BBE on the stereo receiver.**

Each time it is pressed, the level changes. Select one of the 3 levels, or the off position to suit your preference.



### SUPER T-BASS SYSTEM

The T-BASS system enhances the realism of low-frequency sound.

**Press T-BASS on the stereo receiver.**

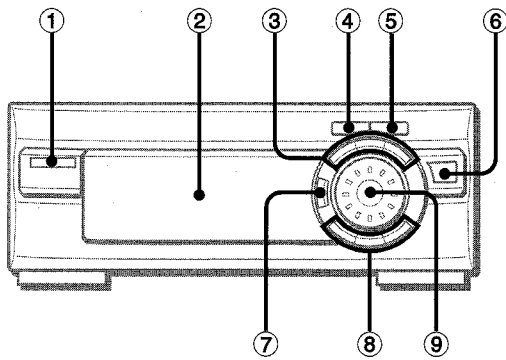
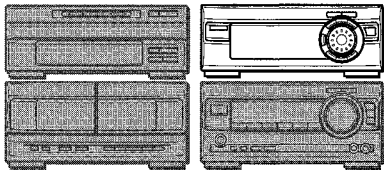
Each time it is pressed, the level changes. Select one of the 4 levels, or the off position to suit your preference.



#### NOTE

Low frequency sound may be distorted when the T-BASS system is used for a disc or tape in which low frequency sound is originally emphasized. In this case, cancel the T-BASS system.

**PARTS INDEX**



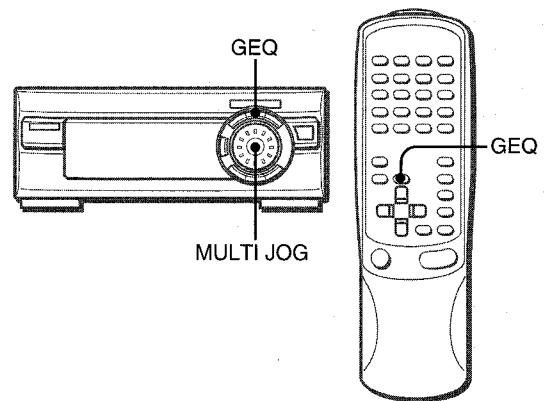
Name	page
1 DEMO	7
2 Display window	
3 FREQ DOWN GEQ	9 8
FREQ UP	9
4 CLOCK/TIMER	13-15
5 DISPLAY	6,7
6 ENTER	9, 11, 12
7 RHYTHM	12
8 DELAY TIME SURROUND EFFECT	10,11 10,11 10,11
9 MULTI JOG	6-14

**GRAPHIC EQUALIZER**

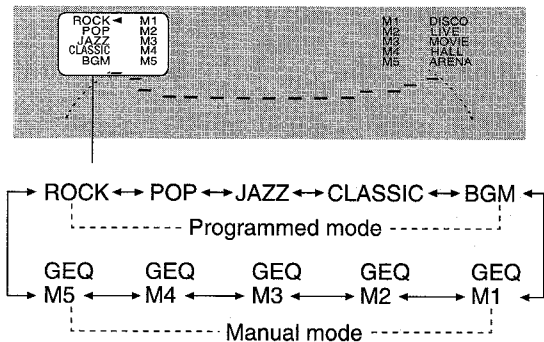
**SELECTING THE PROGRAMMED EQUALIZATION CURVE**

This unit provides the following 5 different programmed equalization curves.

- ROCK:** Powerful sound emphasizing treble and bass
- POP:** More presence in the vocals and midrange
- JAZZ:** Accented lower frequencies for jazz-type music
- CLASSIC:** Enriched sound with heavy bass and fine treble.
- BGM:** Calm tone with suppressed bass and treble.



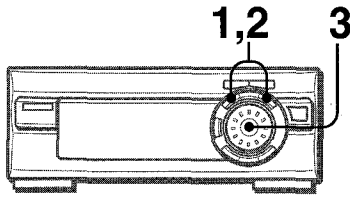
Press **GEQ**, and turn **MULTI JOG** to select one of the programmed equalization curves within 4 seconds. The GEQ mode is displayed cyclically as follows.



**To cancel the graphic equalizer**

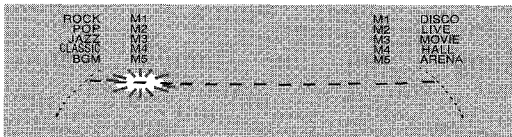
Press **GEQ** once or twice so that "GEQ OFF" appears on the display of the stereo receiver. When using the remote control, press **GEQ** repeatedly until "GEQ OFF" is displayed.

## SETTING A NEW EQUALIZATION CURVE MANUALLY

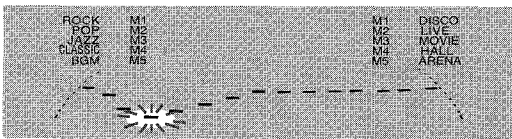


The equalization curve can be customized to suit your preference.

- 1 Press **FREQ DOWN** or **FREQ UP**.
- 2 **Within 4 seconds**, press **FREQ DOWN** or **FREQ UP** repeatedly to select the frequency you want to adjust.  
The selected frequency indicator flashes for 4 seconds.



- 3 **Within 8 seconds**, turn **MULTI JOG** to adjust the level of the selected frequency.

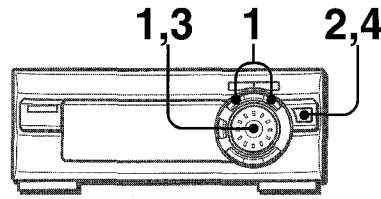


- 4 Repeat steps 2 and 3 to complete the equalization curve.

### To cancel the graphic equalizer

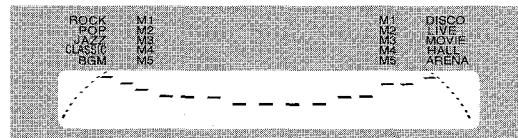
Press **GEQ** once or twice so that "GEQ OFF" appears on the display of the stereo receiver.  
When using the remote control, press **GEQ** repeatedly until "GEQ OFF" is displayed.

## MEMORIZING THE NEW EQUALIZATION CURVES



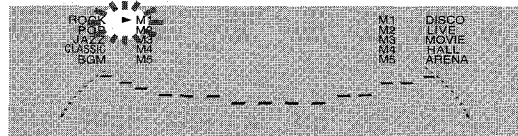
Up to 5 customized equalization curves can be stored as the manual modes M1 - M5.

- 1 Set a new equalization curve with **FREQ DOWN**, **FREQ UP** and **MULTI JOG**.  
See "SETTING A NEW EQUALIZATION CURVE MANUALLY".  
The created curve is displayed for 8 seconds.



- 2 **Within 4 seconds**, press **ENTER**.

"M 1" indicator flashes on the display for 4 seconds.



- If this step is not completed within 4 seconds, press **GEQ** first to display "GEQ ON". Then press **ENTER** within 4 seconds.

- 3 **Within 8 seconds**, turn **MULTI JOG** to select one of the manual modes M1 - M5 to store the curve.

- 4 **Within 8 seconds**, press **ENTER**.

The new equalization curve is stored.

### To select the stored equalization curve

Press **GEQ**, and turn **MULTI JOG** to select one of the manual modes M1 - M5 within 4 seconds.

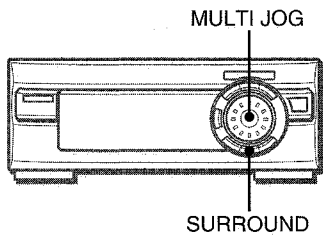


# DSP SURROUND

The DSP (Digital Signal Processor) SURROUND adjusts the delay time, the input mode and the feedback level to give a resonant surround sound, allowing you to enjoy the real sound presence of different environments.

This unit has been programmed with 5 different SURROUND modes. You can also create and memorize up to 5 of your own surround settings.

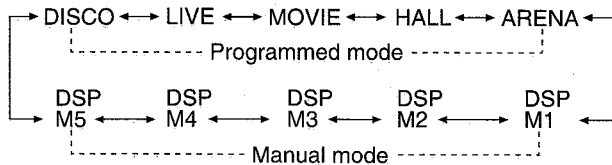
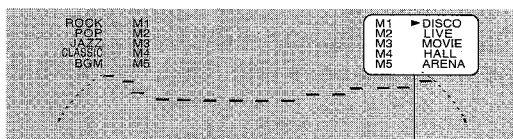
## SELECTING A PROGRAMMED DSP SURROUND MODE



When you select the programmed DSP SURROUND mode, the sound presence of a disco (DISCO), live music performance (LIVE), movie theater (MOVIE), concert hall (HALL) or arena (ARENA) can be chosen.

**Press SURROUND, and turn MULTI JOG to select the desired Programmed mode within 4 seconds.**

The DSP SURROUND mode is displayed cyclically as follows.



Equalization curves are selected automatically to match the programmed DSP SURROUND modes. For the manual mode, the corresponding number of the manual GEQ mode is selected.

### To cancel DSP SURROUND

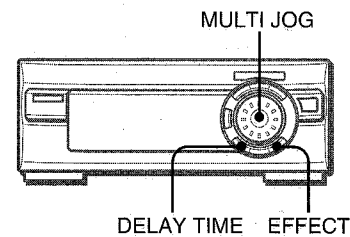
Press **SURROUND** once or twice so that "DSP OFF" appears on the stereo receiver.

### When the music source is monaural

Select "LIVE" or "MOVIE" to obtain a simulated stereo effect. When "DISCO", "HALL" or "ARENA" is selected, no sound will be heard from the connected surround speakers. (The surround speakers are not supplied. See page 30.)

## SETTING A NEW DSP SURROUND SOUND MANUALLY

The elements of the DSP SURROUND sound can be customized.

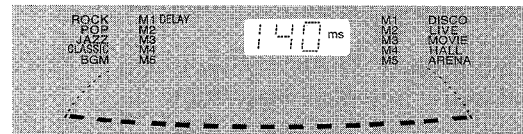


### DELAY TIME (delay time)

Increasing the number in the display increases the delay time and surround effect. "15", "20", "30", "50", "100" or "140" mSec can be selected.

#### To adjust the delay time

Press **DELAY TIME**, and turn **MULTI JOG** to select one of the levels within 8 seconds.



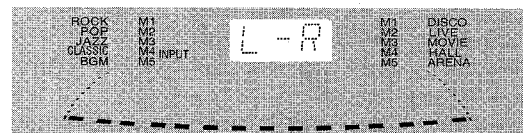
### L-R, L+R (input mode)

When "L+R" is displayed, the surround effect increases, especially in the center.

When "L-R" is displayed, it increases on the outside.

#### To select an input mode

Press **EFFECT** once, and turn **MULTI JOG** to select "L-R" or "L+R" within 8 seconds.

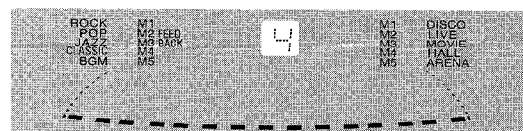


### FB (feedback level)

Increasing the number in the display increases the echo. A level from "OFF" (0) to "7" can be selected.

#### To adjust the level of feedback

Press **EFFECT** twice, and turn **MULTI JOG** to select one of the levels within 8 seconds.

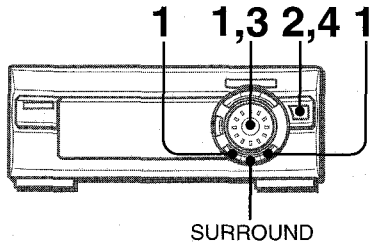


### To cancel DSP SURROUND

Press **SURROUND** once or twice so that "DSP OFF" appears on the stereo receiver.

## MEMORIZING THE NEW DSP SURROUND SOUND

Up to 5 DSP SURROUND sounds can be memorized as the manual modes M1 - M5.

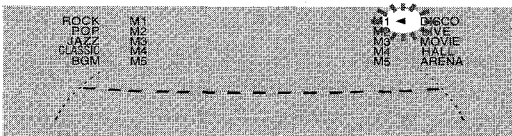


### 1 Set a new DSP SURROUND sound with DELAY TIME, EFFECT, and MULTI JOG.

See "SETTING A NEW DSP SURROUND SOUND MANUALLY".

### 2 Within 8 seconds, press ENTER.

The pointer "◀" flashes to select one of the manual modes M1 - M5.



- If this step is not completed within 8 seconds, press **SURROUND** first to display "DSP ON" on the stereo receiver. Then press **ENTER** within 4 seconds.

### 3 Within 8 seconds, turn MULTI JOG to select one of the manual modes M1 - M5.

### 4 Within 8 seconds, press ENTER.

The new DSP SURROUND sound is memorized.

#### To select the stored DSP SURROUND sound

Press **SURROUND**, and turn **MULTI JOG** to select one of the manual modes M1 - M5 within 4 seconds.

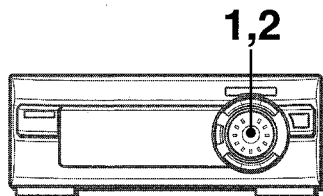
At this time the corresponding graphic equalizer mode is selected automatically.

#### NOTE

When the MIC or ECHO level is changed (page 18), the DSP SURROUND mode is automatically canceled.

## RHYTHM PLAY FUNCTION (BEAT MASTER)

You can add extra beat to your music.



Refer to the display information on the stereo receiver.

### TO SELECT A RHYTHM PATTERN

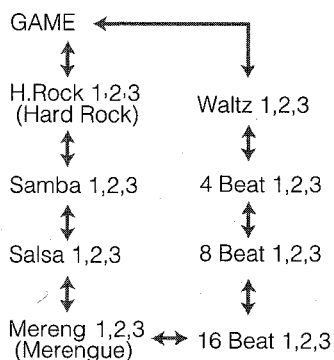
#### 1 Press MULTI JOG.

One of the rhythm patterns is displayed.



#### 2 Turn MULTI JOG to select the desired rhythm pattern.

The rhythm pattern is displayed cyclically as follows.



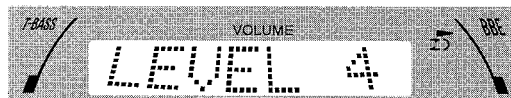
#### To change the tempo of the selected rhythm pattern

Press **RHYTHM** once while the selected rhythm pattern is displayed, then turn **MULTI JOG** to select the rhythm tempo. The rhythm tempo can be changed from 90 to 160.



#### To change the volume level of the selected rhythm pattern

Press **RHYTHM** twice while the selected rhythm pattern is displayed, then turn **MULTI JOG** to select the volume level. The volume level can be changed from 1 to 4.



#### To cancel the rhythm play function

Press **MULTI JOG**.

#### To restart the rhythm play function

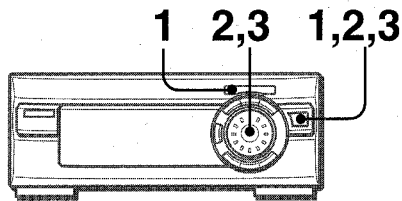
Press **MULTI JOG** again. The rhythm pattern selected the last time begins.

#### NOTE

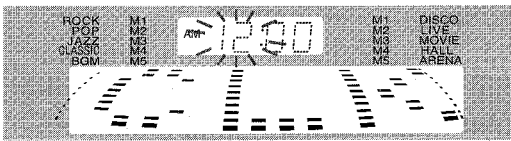
- When the GAME pattern is selected, the rhythm tempo and the rhythm volume level cannot be changed.
- The signal output from LINE OUT jack is affected with the rhythm play function.

These voice wave data incorporated in this product are Yamaha Corporation's copyrightable property and we are licensed by Yamaha Corporation.

## SETTING THE CLOCK



1 Press **CLOCK/TIMER** once, then press **ENTER** within 6 seconds.



2 Turn **MULTI JOG** to designate the hour, then press **ENTER**.

The hour stops flashing and the minute starts flashing.

3 Turn **MULTI JOG** to designate the minute, then press **ENTER**.

The minute stops flashing on the display and the clock starts from 00 seconds.

### To switch to the 24-hour standard

Press the **CLOCK/TIMER** and then press **MULTI JOG** within 6 seconds.

Repeat the same procedure to restore the 12-hour standard.

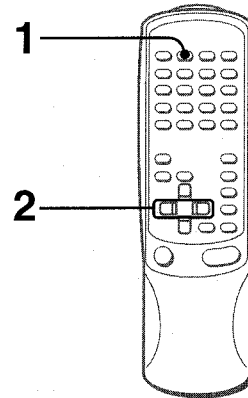
### If the clock display flashes

This is caused by a power interruption. The current time needs to be reset.

If power is interrupted for more than approximately 24 hours, all settings stored in memory after purchase need to be reset.

- **CLOCK** on the remote control is also available instead of **CLOCK/TIMER**.
- **IISET** on the remote control is also available instead of **ENTER**.
- **◀◀** or **▶▶** on the remote control is also available instead of **MULTI JOG**.

## SETTING THE SLEEP TIMER



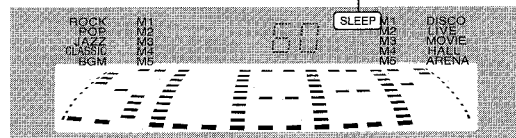
GRAPHIC EQUALIZER

The unit can be turned off automatically at a specified time.

Use the remote control.

1 Press **SLEEP**.

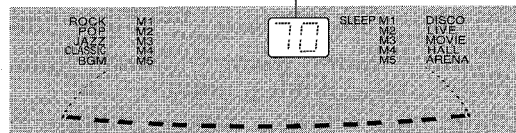
"SLEEP" appears.



2 Within 4 seconds, press **◀◀** or **▶▶** to specify the time until the power is turned off.

Each time the button is pressed, the time changes between 5 and 240 minutes in 5-minute steps.

Specified time



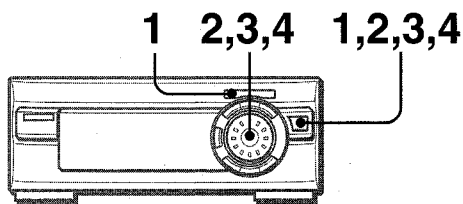
**To check the time remaining until the power is turned off**  
Press **SLEEP** once. The remaining time is displayed for 4 seconds.

### To cancel the sleep timer

Press **SLEEP** twice so that "SLEEP" on the display disappears.

En

# SETTING THE TIMER



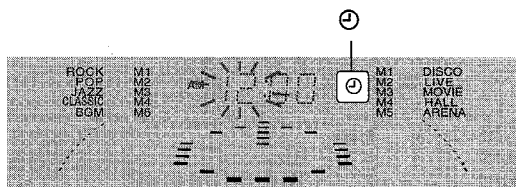
The unit can be turned on at a specified time every day with the built-in timer.

## Preparation

Make sure the clock is set correctly.

- 1 Press **CLOCK/TIMER** twice so that  $\odot$  appears on the display, then press **ENTER** within 6 seconds.

$\odot$  appears and the hour flashes.



## NOTE

If you press **ENTER** after 6 seconds, another operation may start.

When using the remote control, press **TIMER** once so that  $\odot$  appears on the display, then press **IISET** within 6 seconds.

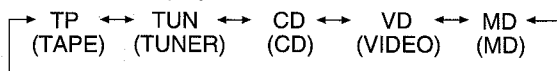
- 2 Designate the hour of the timer-on time by turning **MULTI JOG**, then press **ENTER**. Repeat to designate the minute of the timer-on time.



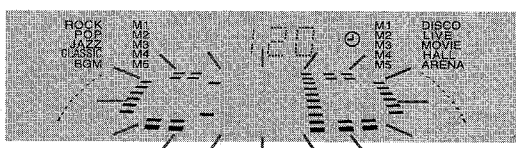
After you designate the timer-on time, one of the source names flashes on the display.

- 3 Turn **MULTI JOG** to select a source, then press **ENTER**.

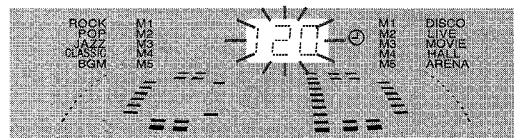
The source is displayed as follows.



- If **TUNER** is selected, the band cannot be selected in this step.



- 4 Select the duration for the timer-activated period with **MULTI JOG**, then press **ENTER**.



The duration for the timer-activated period can be set between 5 and 240 minutes in 5-minute steps.

- 5 Prepare the source.

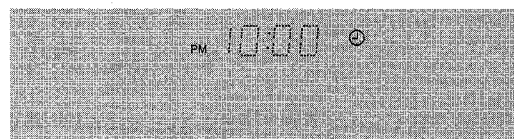
**To listen to a CD**, load the CD to be played first on tray 1.

**To listen to a tape**, insert the tape into deck 1 or 2.

**To listen to the radio**, tune in to a station.

- 6 Press **POWER** on the stereo receiver to turn the unit off after adjusting the volume and tone.

$\odot$  remains on the display after the power is turned off (timer standby mode).



When the timer-on time is reached, the unit turns on and begins play with the selected source.

The volume level is automatically set to 20 when the power is turned off with the volume level set to 21 or more.

## To check the specified time and source

Press **CLOCK/TIMER** twice (or **TIMER** once on the remote control). The timer-on time, the selected source name and the duration for the timer-activated period are displayed for 6 seconds.

## To cancel timer standby mode temporarily

Press **CLOCK/TIMER** (or **TIMER** on the remote control) repeatedly until  $\odot$  or  $\odot$ REC disappears on the display.

To restore the timer standby mode, press **CLOCK/TIMER** (or **TIMER** on the remote control) repeatedly to display  $\odot$  or  $\odot$ REC.

## Using the unit while the timer is set

You can use the unit normally after setting the timer.

Before turning off the power, carry out step 5 to prepare the source, and adjust the volume and tone.

## NOTE

- Timer playback and timer recording will not begin unless the power is turned off.
- Connected equipment cannot be turned on and off by the built-in timer of this unit. Use an external timer.



## TIMER RECORDING

Timer recording is applicable for TUNER and VIDEO/AUX (with an external timer) sources only.

Press **CLOCK/TIMER** three times so that **⊖ REC** appears on the display, then press **ENTER** within 6 seconds. Carry out the steps of "SETTING THE TIMER" from step 2 and insert the tape to be recorded on into deck 2 after step 5.

### When using the remote control

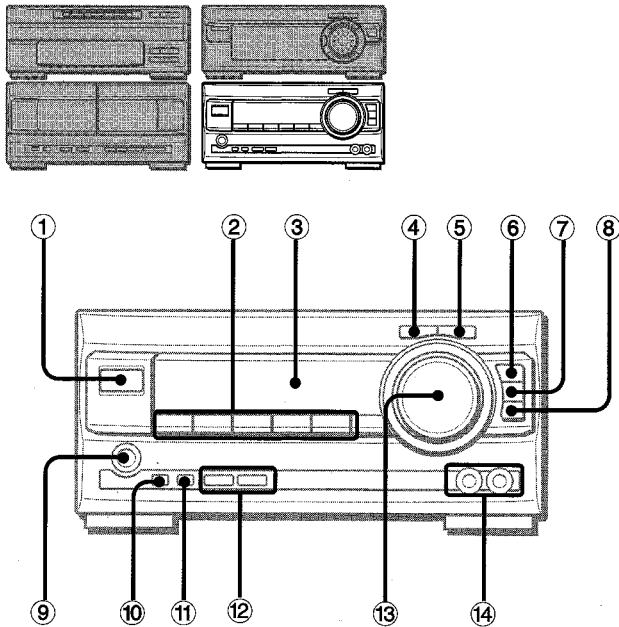
Press **TIMER** twice so that **⊖ REC** appears on the display, then press **IISET** within 6 seconds.

### To check the specified time and source

Press **CLOCK/TIMER** three times (or press **TIMER** twice on the remote control). The timer-on time, the selected source name and the duration for the timer-activated period are displayed for 6 seconds.

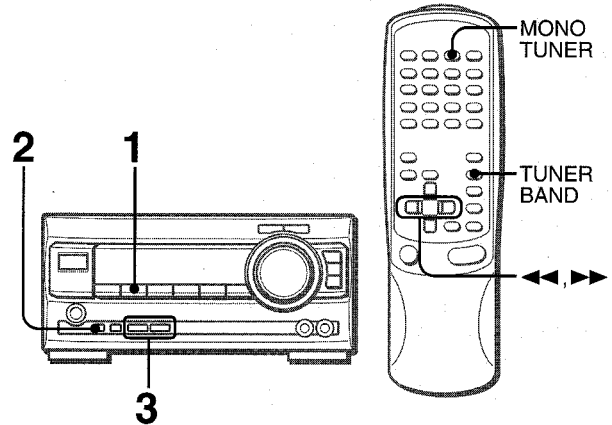
- **TIMER** on the remote control is also available instead of **CLOCK/TIMER**.
- **IISET** on the remote control is also available instead of **ENTER**.
- **◀◀** or **▶▶** on the remote control is also available instead of **MULTI JOG**.

PARTS INDEX

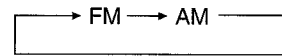


Name	page
① POWER	6,17,32
② TAPE DECK1/2	6,24-27
TUNER BAND	6,16,17
VIDEO/AUX	6,30
CD	6,20,28,29
MD	6,30
③ Display window	
④ T-BASS	7
⑤ BBE	7
⑥ KARAOKE	19
⑦ ECHO	18
⑧ MIC	18
⑨ PHONES	6
⑩ TUNING/PRESET	16,17
⑪ SET	17
⑫ ∇, ▲ TUNING/PRESET	7,16,17
⑬ VOLUME	7,18
⑭ MIC 1,2	18

RADIO RECEPTION

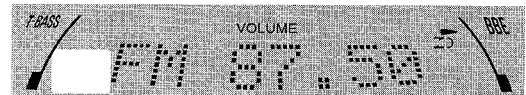


1 Press TUNER BAND repeatedly to select the desired band.



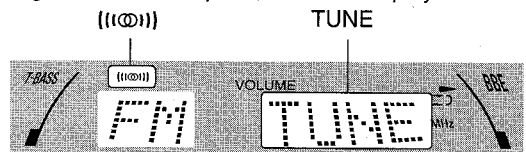
When TUNER BAND is pressed while the power is off, the power is turned on directly.

2 Press TUNING/PRESET once or twice so that "PRESET NO." in the display disappears.



3 Press TUNING ∇ or TUNING ▲ to select a station.

Each time the button is pressed, the frequency changes. When a station is received, "TUNE" is displayed for 2 seconds. During FM stereo reception, ((Ⓜ)) is displayed.



When you use the remote control, press ◀ or ▶.

To search for a station quickly (Auto Search)

In step 3 keep ∇ or ▲ pressed until the frequency starts to change rapidly. After tuning in to a station, the search stops. To stop the Auto Search manually, press ∇ or ▲.

• The Auto Search may not stop at stations with very weak signals.

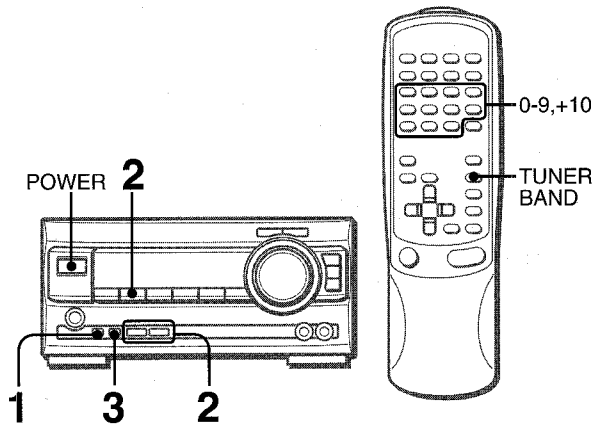
When an FM stereo broadcast contains noise

Press MONO TUNER on the remote control so that "MONO" appears on the display.

Noise is reduced, although reception is monaural.

To restore stereo reception, press MONO TUNER so that "STEREO" appears.

# PRESETTING STATIONS



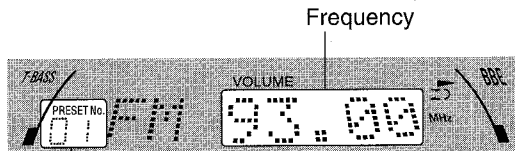
The unit can store a total of 32 preset stations. When a station is stored, a preset number is assigned to the station. Use the preset number to tune in to a preset station directly.

**1 Press TUNING/PRESET once or twice so that "PRESET NO." in the display disappears.**

**2 Press TUNER BAND to select a band, and press TUNING  $\nabla$  or TUNING  $\blacktriangle$  to select a station.**

**3 Press SET to store the station.**

A preset number beginning from 1 in consecutive order for each band is assigned to the station.



Preset number

**4 Repeat steps 1 to 3.**

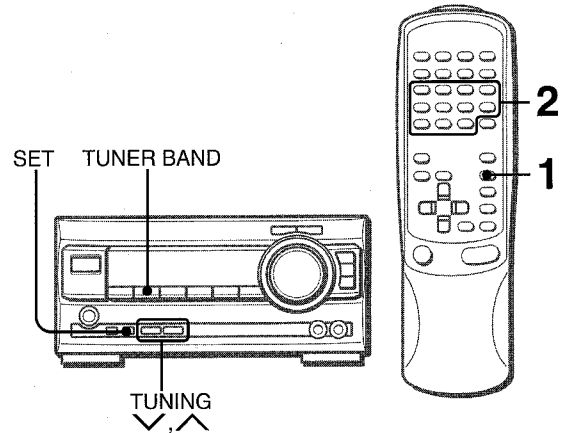
The next station will not be stored if a total of 32 preset stations for all the bands have already been stored.

## NOTE

If power is interrupted for more than approximately 24 hours, preset stations stored in memory after purchase need to be reset.

# PRESET NUMBER TUNING

Use the remote control to select the preset number directly.



**1 Press TUNER BAND to select a band.**

**2 Press numbered buttons 0-9 and +10 to select a preset number.**

"PRESET NO." appears in the display.

*Example:*

To select preset number 20, press +10, +10 and 0.

To select preset number 15, press +10 and 5.

**Selecting a preset number on the main unit**

**1 Press TUNER BAND to select a band.**

**2 Press TUNING/PRESET repeatedly so that "PRESET NO." appears on the display.**

**3 Press TUNING  $\nabla$  or TUNING  $\blacktriangle$  to select a station.**

**To clear a preset station**

Select the preset number of the station to be cleared. Then, press **SET**. The frequency flashes. Then press **SET** again within 4 seconds.

The preset numbers of all other stations in the band with higher numbers are also decreased by one.

STEREO RECEIVER

En

**To change the AM tuning interval**

The default setting of the AM tuning interval is 10 kHz/step. If you use this unit in an area where the frequency allocation system is 9 kHz/step, change the tuning interval.

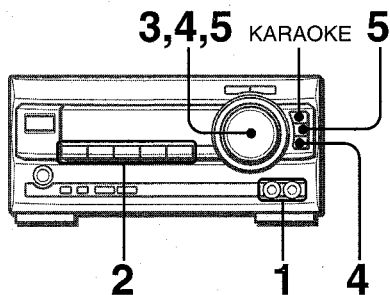
Press **POWER** while pressing **TUNER BAND**.

To reset the interval, repeat this procedure.

## NOTE

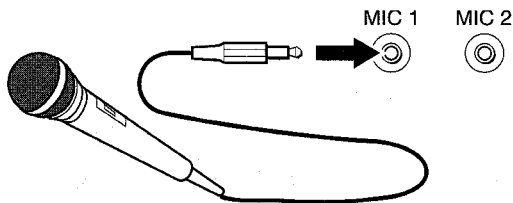
When the AM tuning interval is changed, all preset stations are cleared. The preset stations have to be set again.

## MICROPHONE MIXING (KARAOKE)



Two microphones (not supplied) can be connected to this unit, allowing you to sing along to music sources. Use microphones with mini plugs ( $\varnothing 3.5$  mm,  $1/8$  inch).

### 1 Connect your microphones to MIC 1 and MIC 2 jacks.



### 2 Press one of the function buttons to select the source to be mixed, and play the source.

### 3 Adjust the volume and tone of the source.

### 4 Press MIC and turn VOLUME within 4 seconds to adjust the microphone volume.

The microphone volume can be selected from 1 to MAX (7) or OFF (cancel).

The volume of both microphones is adjusted simultaneously.

### 5 Press ECHO and turn VOLUME within 4 seconds to adjust the echo level.

The echo level can be selected from 1 to MAX (7) or OFF (cancel).

#### To change the delay time of echo

Hold down **ECHO** while the echo is on.

"ECHO-L" (Long) and "ECHO-M" (Middle) are displayed alternately. At the desired position, release the button.

#### To record microphone sound mixed with source sound

Follow the procedure for recording from the sound source (see page 26).

**SYNC DUB** cannot be used for mixing.

#### When the microphones are not being used

Set the microphone volume and echo level to OFF and remove the microphones from **MIC** jacks.

#### NOTE

- When the MIC or ECHO level is changed, the SURROUND mode is automatically canceled.
- If a microphone is held too near the speakers, a howling sound may be produced. In this case, hold the microphone away from the speakers, or decrease the microphone volume.
- If sound through the microphone is extremely loud, it may be distorted. In this case, decrease the microphone volume.
- When the function is changed, the microphone volume and echo are set to off.

#### Recommended microphones

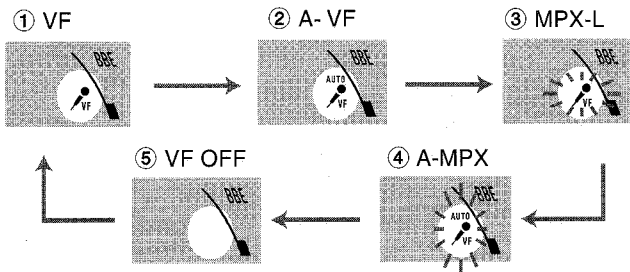
The use of unidirectional type microphones is recommended to prevent howling. Contact your local Aiwa dealer for details.

## VOCAL FADER/MULTIPLEX FUNCTIONS

This unit can use discs or tapes as Karaoke sources.  
Use the Vocal fader function for ordinary discs or tapes.  
Use the Multiplex function for multi audio discs or tapes.

**Press KARAOKE repeatedly to select the vocal fader or multiplex function.**

Each time **KARAOKE** is pressed, one of these functions is selected cyclically.



### ① VF (Vocal Fader)

The singer's voice becomes softer than the accompaniment.

### ② A-VF (Auto Vocal Fader)

The singer's voice becomes softer only while there is audio input through a microphone.

### ③ MPX-L (Multiplex)

Only the sound on the left channel is heard from both speakers, and the sound on the right channel is muted.

### ④ A-MPX (Auto Multiplex)

The sound on the left channel is heard from both speakers, and the sound on the right channel is muted only while there is audio input through a microphone.

### ⑤ VF OFF (Cancel)

### To change the time lag setting in Auto Vocal Fader or Auto Multiplex function

The muted singer's voice can be restored faster.  
When Auto Vocal Fader or Auto Multiplex is selected, "A-VF" or "A-MPX" is displayed for 4 seconds and changes to the selected function name. After the selected function name is displayed, hold down **KARAOKE** until FAST is displayed.  
To return to the initial setting, select SLOW.  
When the power is turned off, SLOW is restored.

### To change the audible channel in Multiplex function

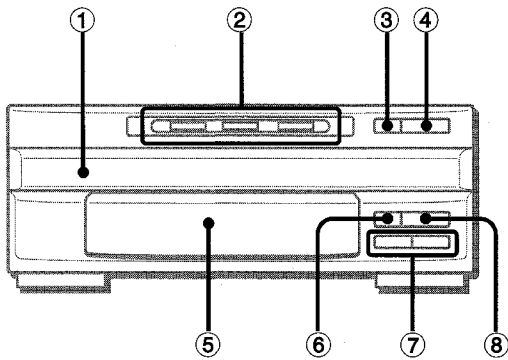
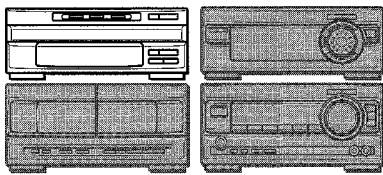
Only the sound on the right channel can be heard from both speakers.  
When Multiplex is selected, "MPX-L" is displayed for 4 seconds and changes to the selected function name. After the selected function name is displayed, hold down **KARAOKE** until "MPX-R" is displayed.  
To return to the initial setting, select "MPX-L".  
When the power is turned off, "MPX-L" is restored.

## NOTE

- The Karaoke functions may not operate correctly with the following kinds of CDs or tapes.
  - Those with monaural sound
  - Those recorded with strong echoes
  - Those with the vocal part recorded on the right or left side of the sound width
- While the Karaoke function is on, the sound is output as monaural.
- When the function is changed, the Karaoke function is canceled.



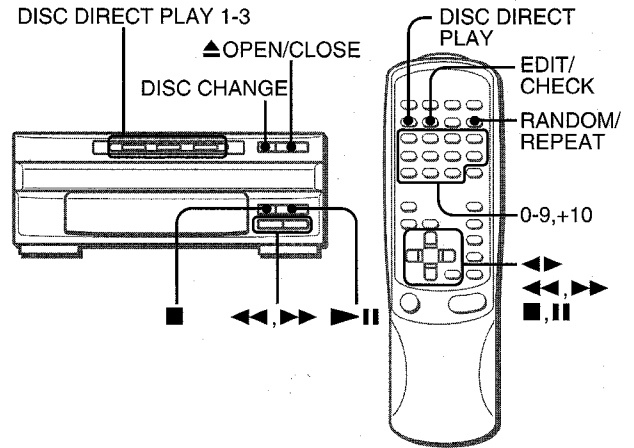
PARTS INDEX



Name	page
1 Disc compartment	
2 DISC DIRECT PLAY 1-3	21,28,29
3 DISC CHANGE	20,21
4 ▲ OPEN/CLOSE	20,21
5 Display window	
6 ■ STOP	21,23
7 ◀▶ SKIP/SEARCH	21,23
8 ▶⏸ PLAY/PAUSE	21,22

CD PLAYING

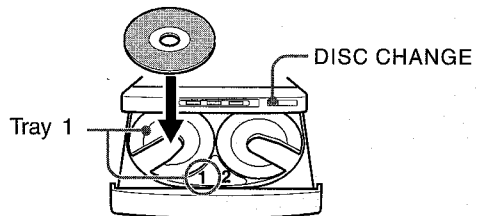
LOADING DISCS



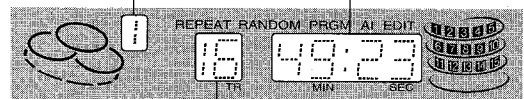
Press CD, then press ▲ OPEN/CLOSE to open the disc compartment. Load disc(s) with the label side up.

To play one or two discs, place the discs on tray 1 and 2.

To play three discs, press DISC CHANGE to rotate the trays after placing two discs. Place the third disc on tray 3. Close the disc compartment by pressing ▲ OPEN/CLOSE.



Tray number of the disc to be played      Total playing time

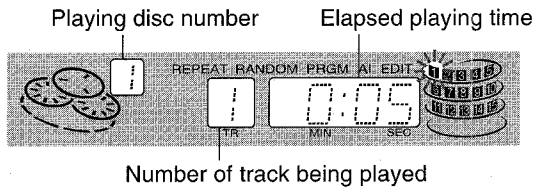


Total number of tracks

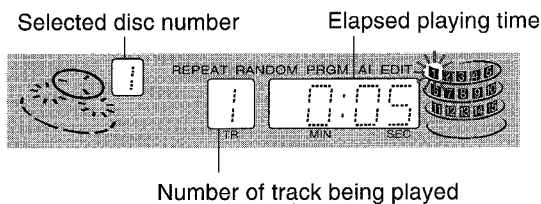
## PLAYING DISCS

Load discs.

**To play all discs in the disc compartment, press ►IIPLAY/PAUSE (or ◀▶PLAY on the remote control).**  
Play begins with the disc on tray 1.



**To play one disc only, press DISC DIRECT PLAY 1-3.**  
The selected disc is played once.



- When the selected button is pressed once more, all the discs in the disc compartment are played once continuously.

### To begin play with the remote control

Press **DISC DIRECT PLAY**, then press numbered buttons 1-3 within 3 seconds to select a disc.

**To stop play, press ■STOP (or ■CLEAR on the remote control).**

**To pause play, press ►IIPLAY/PAUSE (or IISET on the remote control).** To resume play, press again.

**To search for a particular point during playback, keep ◀◀ or ▶▶ pressed and release it at the desired point.**

**To skip to the beginning of a track during playback, press ◀◀ or ▶▶ repeatedly.**

**To remove discs, press ▲ OPEN/CLOSE.**

### To start play when the power is off (Direct Play Function)

Press **CD** on the stereo receiver. The power is turned on and play of the loaded disc(s) begins.

When **▲ OPEN/CLOSE** or **DISC CHANGE** is pressed, the power is also turned on and the disc compartment is opened.

### To check the remaining time

During play, press **EDIT/CHECK** on the remote control. The amount of time remaining until all tracks of the disc finish playing is displayed. To restore the playing time display, repeat the above.

### Selecting a track with the remote control

- 1 Press **DISC DIRECT PLAY**, then press numbered buttons 1-3 within 3 seconds to select a disc.
- 2 Press numbered buttons **0-9** and **+10** to select a track.

Example:

To select the 25th track, press **+10, +10** and **5**.

To select the 10th track, press **+10** and **0**.

The selected track starts to play and continues to the end of that disc.

### Replacing discs during play

While one disc is playing, the other discs can be replaced without interrupting play.

- 1 Press **DISC CHANGE**.
- 2 Remove the discs and replace with other discs.
- 3 Press **▲ OPEN/CLOSE** to close the disc compartment.

### NOTE

- When loading an 8-cm (3-inch) disc, put it onto the inner circle of the tray.
- Do not place more than one compact disc on one disc tray.
- Do not tilt the unit with discs loaded. Doing so may cause malfunctions.
- Do not use irregular shape CDs (example: heart-shaped, octagonal ones). It may result in malfunctions.

CD PLAYER

## RANDOM /REPEAT PLAY

Use the remote control.

### RANDOM play

All the tracks on the selected disc or all the discs can be played randomly.

### REPEAT play

A single disc or all the discs can be played repeatedly.

### Press RANDOM/REPEAT on the remote control.

Each time it is pressed, the function can be selected cyclically.

**RANDOM play** — "RANDOM" is highlighted on the display.

**REPEAT play** — "REPEAT" is highlighted on the display.

**RANDOM/REPEAT play** — "RANDOM" and "REPEAT" are highlighted on the display.

**Cancel** — The highlighted indicators "RANDOM" and "REPEAT" disappear from the display.

En

**To play all discs, press ◀▶PLAY (or ►IIPLAY/PAUSE on the CD player) to start play.**

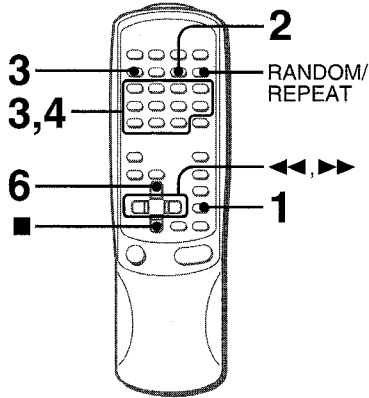
**To play a single disc, press DISC DIRECT PLAY and press numbered buttons 1-3 within 3 seconds (or DISC DIRECT PLAY 1-3 on the CD player) to select a disc.**

### NOTE

During random play it is not possible to skip to the previously played track with ◀◀.

# PROGRAMMED PLAY

Up to 30 tracks can be programmed from any of the inserted discs.



Use the remote control.

**1 Press CD and insert the discs.**

**2 Press PRGM twice in stop mode.**

"PRGM" is highlighted.



• When the **PRGM** is pressed once in step 1, the unit enters the KARAOKE PROGRAM (page 23).

**3 Press DISC DIRECT PLAY, then press numbered buttons 1-3 within 3 seconds to select a disc.**

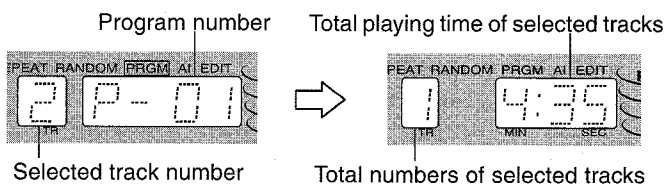
Go to the next step when the tray stops rotating.

**4 Press numbered buttons 0-9 and +10 to program a track.**

Example:

To select the 25th track, press **+10**, **+10** and **5**.

To select the 10th track, press **+10** and **0**.



**5 Repeat steps 3 and 4 to program other tracks.**

**6 Press ◀▶ (or ▶|| PLAY/PAUSE on the CD player) to start play.**

## To check the program

Each time ◀▶ or ▶▶ is pressed in stop mode, a disc number, track number, and program number will be displayed.

## To clear the program

Press ■STOP (or ■CLEAR on the remote control) in stop mode.

## To add tracks to the program

Repeat steps 3 and 4 in stop mode. The track will be programmed after the last track.

## To change the programmed tracks

Clear the program and repeat all the steps again.

## To play the programmed tracks repeatedly

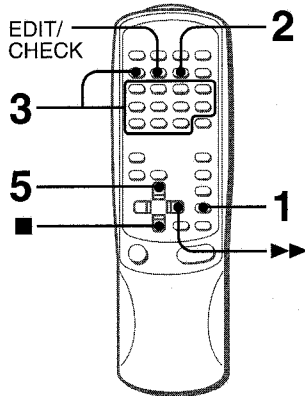
After programming the tracks, press **RANDOM/REPEAT**. "REPEAT" is highlighted on the display.

## NOTE

During programmed play, you cannot use random play, check the remaining time, or select a disc or track.

# KARAOKE PROGRAM

Before or during CD play, you can reserve up to 15 tracks to be played after the current track. Each reservation is cleared when it finishes playing.

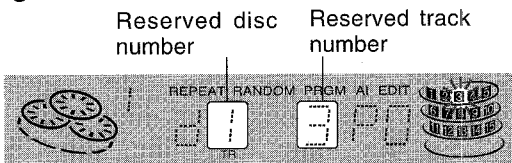


Use the remote control.

- 1 Press **CD** and insert the discs into the CD player.
- 2 Press **PRGM** once in stop mode.

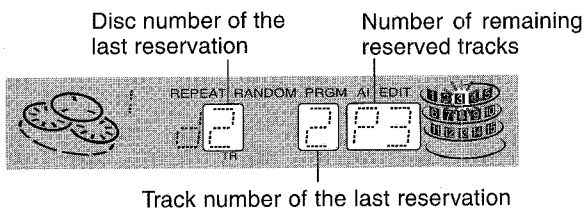


- 3 Press **DISC DIRECT PLAY**, then press numbered buttons **1-3** within **3 seconds** to select a disc. Then, press numbered buttons **0-9** and **+ 10** to program a track.



- 4 Repeat step 3 to reserve other tracks.
- 5 Press **◀▶** (or **▶▶** **IIPLAY/PAUSE** on the CD player) to start play.

After a track is played, it is cleared from the program.



## To add a reservation during play

Repeat step 3.

## To check the reserved tracks

Press **EDIT/CHECK** repeatedly. Each time it is pressed, the disc number and track number are displayed in the reserved order.

## To stop play

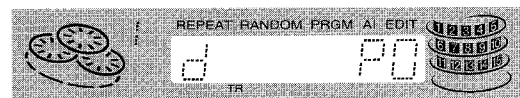
Press **■ STOP** (or **■ CLEAR** on the remote control). When **◀▶** (or **▶▶ IIPLAY/PAUSE** on the CD player) is pressed to restart, the play last track started will be replayed.

## To skip a current track

Press **▶▶**. The skipped track is cleared from the program.

## To clear all the reservations

Press **▶▶** repeatedly until "d P0" is displayed.



Press it once more to cancel the Karaoke programs. The display returns to that of CD play.

## NOTE

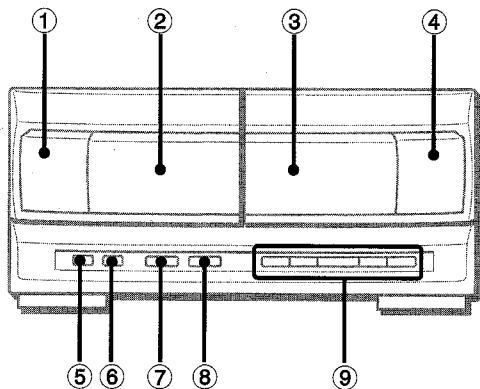
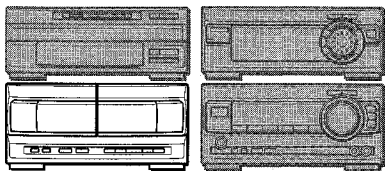
- If the reserved track number does not exist on the selected disc, the unit stops playing and the display flashes. In this case, press **▶▶** to skip the error track. Then press **◀▶** (or **▶▶ IIPLAY/PAUSE** on the CD player) to start play with the next reserved track.
- When **PRGM** is pressed repeatedly in step 2, **PRGM** is highlighted and the unit enters the CD program play mode (page 22). To cancel program play, press **■ STOP** (or **■ CLEAR** on the remote control).

To use microphones and the Karaoke function, see "MICROPHONE MIXING (KARAOKE)" on page 18.

CD PLAYER

En

**PARTS INDEX**

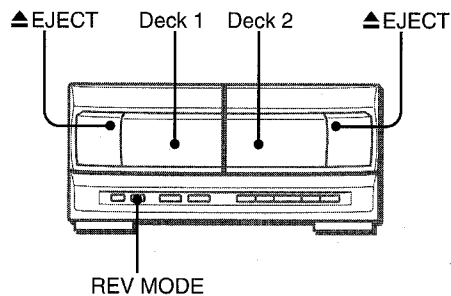


Name	page
① ▲EJECT (for deck 1)	
② Deck 1	
③ Deck 2	
④ ▲EJECT (for deck 2)	
⑤ DOLBY NR	25-29
⑥ REV MODE (DECK 2)	24-26
⑦ SYNC DUB NORM/HIGH	27
⑧ ●REC/REC MUTE	26-29
⑨    PAUSE	25,26
◀▶IMS	25
◀▶PLAY/DIR	25
■STOP	25-29

The display information of the cassette decks is shown on the display of the stereo receiver.

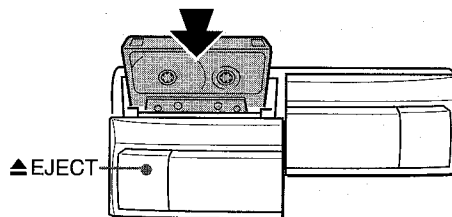
**TAPE PLAYBACK**

**INSERTING TAPES**



- On deck 1, tapes are always played back on both sides. On deck 2, you can select a reverse mode to play back one or both sides.
- Use Type I (normal), Type II (high/CrO<sub>2</sub>) or Type IV (metal) tapes for playback.

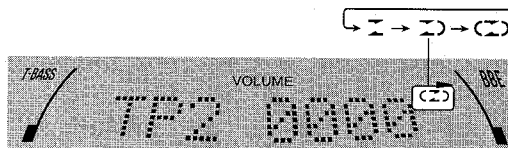
Press ▲ EJECT to open the cassette holder.



Insert a tape with the exposed side down. Push the cassette holder to close.

**To select a reverse mode (deck 2 only)**

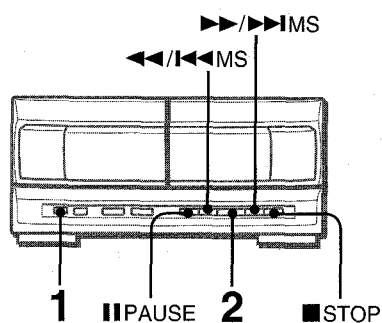
Each time REV MODE is pressed, the reverse mode changes.



- To play one side only, select I.
- To play from front side to reverse side once only, select II.
- To play both sides repeatedly, select III.
- When tapes are loaded in both decks, III on the display indicates Continuous Play.

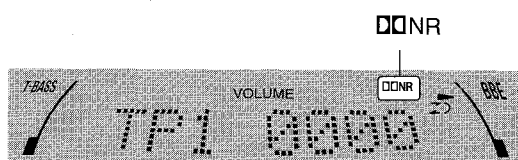


## PLAYING BACK A TAPE



Insert a tape.

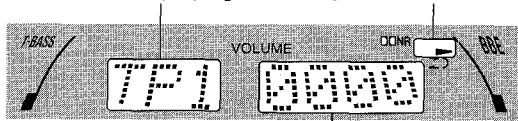
- 1 Press **DOLBY NR** and turn Dolby NR on or off to match the playback tape.



For tapes recorded with DOLBY NR, turn on **DNR**.  
For tapes recorded without DOLBY NR, turn off **DNR**.

- 2 Press **PLAY/DIR** to start play.

Deck number playing      \*Playback side indicator



The tape counter indicates the tape running length.

\*Playback side indicator

- ▶: The front side is being played (forward).
- ◀: The back side is being played (reverse).

### To begin play with the remote control

Press **TAPE** on the stereo receiver or on the remote control first. Then, press **PLAY** on the remote control to start play.

### When tapes are loaded in both decks

Press **TAPE** first to select a deck.  
The selected deck number is displayed.

To stop play, press **STOP** (or **CLEAR** on the remote control).

To pause play, press **PAUSE** (or **IISET** on the remote control).

To resume play, press again.

To change the playback side, press **PLAY/DIR** in play or pause mode.

To fast forward or rewind, press **MS** or **IMS**. Then press **STOP** (or **CLEAR** on the remote control) to stop the tape.

### To start play when the power is off (Direct Play Function)

Press **TAPE** on the stereo receiver. The power is turned on and play of the inserted tape begins.

### To set the tape counter to 0000

Press **STOP** (or **CLEAR** on the remote control) in stop mode.  
The counter is also set to 0000 when the cassette holder is opened and closed.

## MUSIC SENSOR

If there is a 4-second or longer blank between each track, a search for the beginning of the current or next track during playback can be done easily.

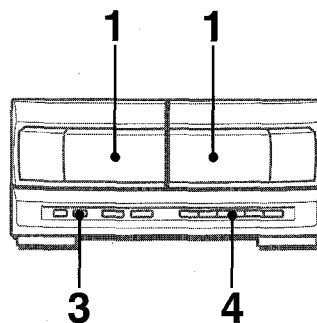
Press **IMS** or **MS** during playback referring to the playback side indicator (◀ or ▶) on the display.

For example, when **IMS** is pressed while ▶ is displayed, playback of the next track starts.

The music sensor function may not be able to detect tracks under the following conditions:

- Blanks of less than 4 seconds between tracks
- Noisy blanks
- Long passages of low-end sound
- Low overall recording levels

## CONTINUOUS PLAY

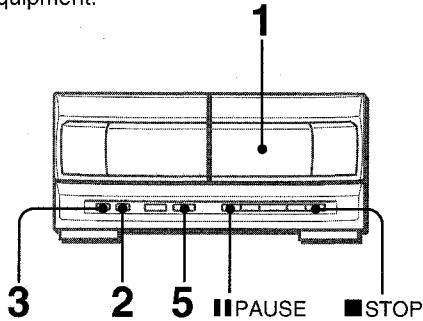


After playback on one deck finishes, the tape in the other deck will start to play without interruption.

- 1 Insert tapes into deck 1 and deck 2.
- 2 Press **TAPE** on the stereo receiver to select the deck to be played back first.
- 3 Press **REV MODE** to select **↔**.
- 4 Press **PLAY/DIR** to start playback.  
Playback continues until **STOP** is pressed.

## BASIC RECORDING

This section explains how to record from the tuner, CD player, or external equipment.

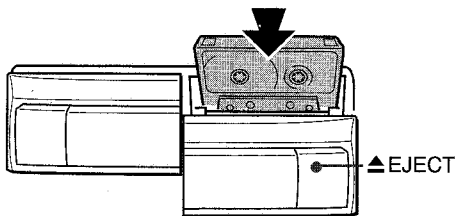


### Preparation




- Use Type I (normal) and Type II (high/CrO<sub>2</sub>) tapes for recording.
- Set the tape to the point where recording will start.

### 1 Insert the tape to be recorded on into deck 2.



Insert the tape with the side to be recorded on first facing out from the unit.



### 2 Press REV MODE to select the reverse mode.

To record on one side only, select   
To record on both sides, select  or .

### 3 Press DOLBY NR to turn Dolby NR on or off.

To record with DOLBY NR, turn on  NR.  
To record without DOLBY NR, turn off  NR.

### 4 Press function on the stereo receiver (CD, TUNER, VIDEO/AUX or MD) and prepare the source to be recorded.

To record from a CD, press **CD** and load the disc(s).

To record from a radio broadcast, press **TUNER** and tune in to a station.

To record from a connected source, press **VIDEO/AUX** or **MD**.

### 5 Press ●REC/REC MUTE to start recording.

When the selected function is CD, playback and recording start simultaneously.

**To stop recording**, press **■STOP** (or **■CLEAR** on the remote control).

**To pause recording**, press **||PAUSE** (or **||SET** on the remote control). To resume recording, press it again.

### Sound adjustment during recording

The output volume and tone (except BBE and Rhythm play function) of the speakers or headphones may be freely varied without affecting the recording.

## INSERTING BLANK SPACES

Insertion of 4-second blank spaces enables you to activate the Music Sensor function.

### 1 Press ●REC/REC MUTE during recording or while in recording pause mode.

The indicator on the ●REC/REC MUTE flashes for 4 seconds and the tape runs with no sound recording. After 4 seconds, the deck enters the recording pause mode.

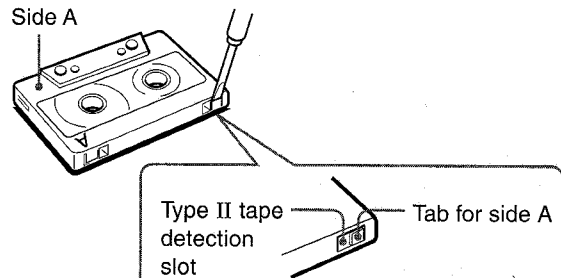
### 2 Press ||PAUSE to resume recording.

**To insert a blank space of less than 4 seconds**, press ●REC/REC MUTE again while the indicator on ●REC/REC MUTE is flashing.

**To insert blank spaces of more than 4 seconds**, after the deck enters recording pause mode, press ●REC/REC MUTE again. Each time the button is pressed, a 4-second blank space is added.

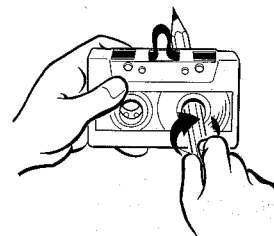
### About cassette tapes

- **To prevent accidental erasure**, break off the plastic tabs on the cassette tape with a screwdriver or other pointed tool after recording.



To record on the tape again, cover the tab openings with adhesive tape, etc. (On Type II tapes, take care not to cover the Type II tape detection slot.)

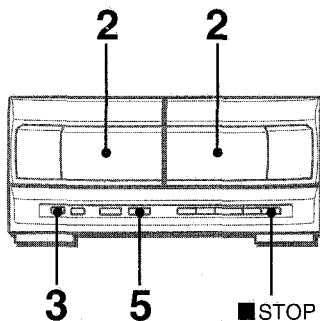
- **120-minute or longer tapes** are extremely thin and easily deformed or damaged. They are not recommended.
- **Take up any slack in the tape** with a pencil or similar tool before use. Slack tape may break or jam in the mechanism.



### DOLBY NR system

The Dolby Noise Reduction system reduces tape hiss noise. For optimum performance when playing back a tape recorded with the DOLBY NR system, turn on the DOLBY NR system.

## DUBBING A TAPE MANUALLY



### NOTE

- Set the tape to the point where recording will start.
  - The reverse mode is automatically set to  $\Sigma$ .
- Note that recording will be done on one side of the tape only.

**1 Press TAPE on the stereo receiver.**

**2 Insert the original tape into deck 1 and the tape to be recorded on into deck 2.**

Insert the tapes with the sides to be played back or recorded on facing out from the unit.

**3 Press DOLBY NR to turn off the Dolby NR.**

$\square\square$ NR on the display of the stereo receiver disappears.

**4 Press TAPE on the stereo receiver to select deck 1.**

"TP 1" is displayed.

**5 Press ● REC/REC MUTE to start recording.**

Playing and recording start simultaneously.

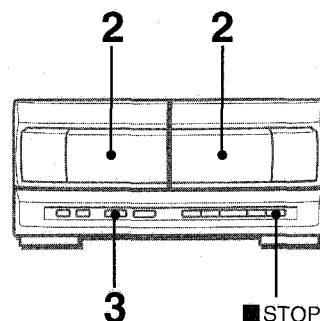
### To stop dubbing

Press ■ STOP (or ■ CLEAR on the remote control).

### To set the Dolby NR when playing back the dubbed tape

Press DOLBY NR and turn Dolby NR on or off to match the original tape.

## DUBBING THE WHOLE TAPE



This function allows you to make exact copies of both sides of the original tape. The reverse side of both tapes will start simultaneously as soon as the longer tape has been reversed.

### NOTE

- Dubbing does not start from a point halfway in the tape.
- The reverse mode is automatically set to  $\Sigma$ .
- The Dolby NR does not affect recording.

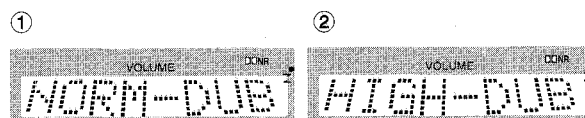
**1 Press TAPE on the stereo receiver.**

**2 Insert the original tape into deck 1 and the tape to be recorded on into deck 2.**

Insert each tape with the side to be played back or recorded on facing out from the unit.

**3 Press SYNC DUB once or twice to start recording.**

- ① For recording at normal speed, press it once to display NORM-DUB.
- ② For recording at high speed, press it twice to display HIGH-DUB.



The tapes are rewound to the beginning of the front sides, and recording starts.

### To stop dubbing

Press ■ STOP (or ■ CLEAR on the remote control).

### To set the Dolby NR when playing back the dubbed tape

Press DOLBY NR and turn Dolby NR on or off to match the original tape.

### NOTE

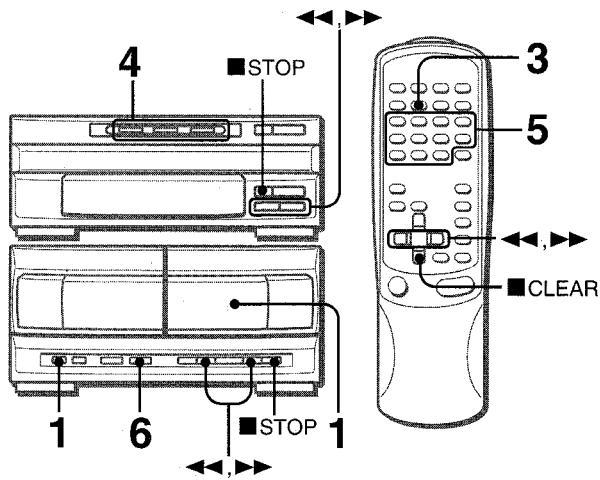
Recording does not start, if the erasure prevention tab on either side of the tape to be recorded on is broken off.

### To erase a recording

Make sure the microphone is not connected to this unit and the Rhythm play function (page 12) is canceled.

- 1 Insert the tape to be erased into deck 2 and press TAPE on the stereo receiver to display "TP 2".
- 2 Set the tape to the point where the erasure is to be started.
- 3 Set the reverse mode by pressing REV MODE.
- 4 Press ● REC/REC MUTE to start the erasure.

# AI EDIT RECORDING



The AI edit recording function enables CD recording without worrying about tape length and track length. When a CD is inserted, the unit automatically calculates the total track length. If necessary, the order of tracks is rearranged so that no track is cut short.

(AI: Artificial Intelligence)

## NOTE

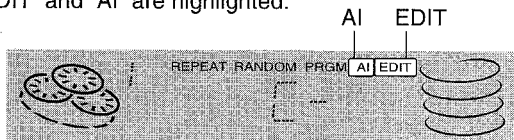
AI edit recording will not start from a point halfway into the tape. The tape must be recorded from the beginning of either side.

### 1 Insert the tape into deck 2, and press DOLBY NR to turn Dolby NR on or off.

Insert the tape with the side to be recorded on first facing out from the unit.

### 2 Press CD on the stereo receiver and load the disc(s).

### 3 Press EDIT/CHECK on the remote control once. "EDIT" and "AI" are highlighted.



• When "PRGM" is highlighted, press EDIT/CHECK again.

### 4 Press DISC DIRECT PLAY 1-3 to select a disc.

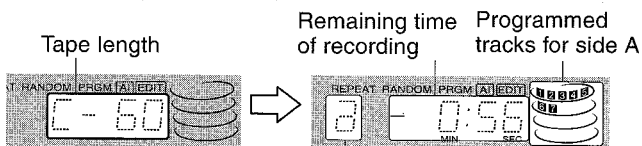
### 5 Press numbered buttons 0-9 on the remote control to designate the tape length.

10 to 99 minutes can be specified.

Example: When using a 60-minute tape, press 6 and 0.

In a few seconds, the tracks to be recorded on each side of the tape are determined.

• ◀▶ is also available to designate the tape length.



Tape side  
a: First recording side (side A)  
b: Second recording side (side B)

### 6 Press ●REC/REC MUTE to start recording on the first side.

The tape is rewound to the beginning of the front side, the lead segment is played through for 10 seconds, and recording starts. When recording on the front (side A) ends, recording on the back (side B) starts.

### To stop recording

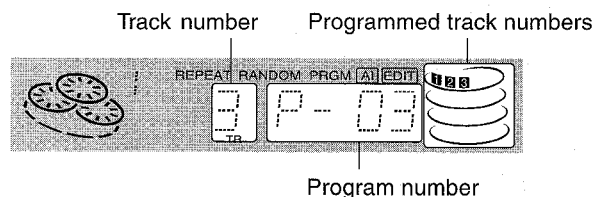
Press ■STOP on the cassette deck or on the CD player (or ■CLEAR on the remote control). Recording and CD play stop simultaneously.

### To clear the edit program

Press ■STOP twice on the CD player (or ■CLEAR twice on the remote control) in stop mode so that the highlighted indicator "EDIT" on the display disappears.

### To check the order of the programmed track numbers

Before recording, press EDIT/CHECK on the remote control to select a side, and press ◀▶ on the CD player repeatedly.



### To add tracks from other discs to the edit program

If there is any time remaining on the tape after step 5, you can add tracks from other discs in the CD compartment.

- 1 Press EDIT/CHECK on the remote control to select a side.
- 2 Press DISC DIRECT PLAY 1-3 to select a disc.
- 3 Press the numbered buttons on the remote control to select tracks.

A track whose playing time is longer than the remaining time cannot be programmed.

- 4 Repeat steps 2 and 3 to add more tracks.

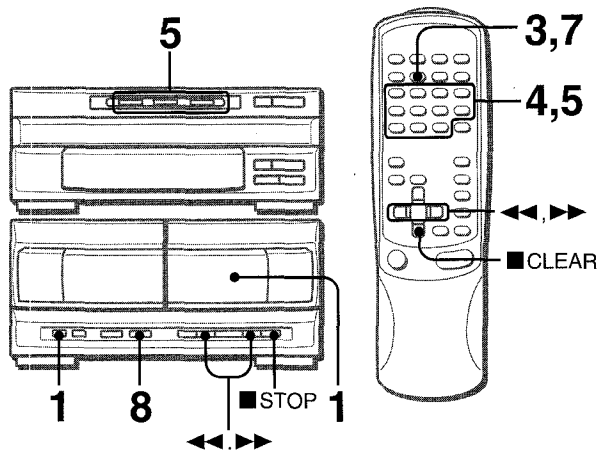
### Time on cassette tapes and editing time

The actual cassette recording time is usually a little longer than the specified recording time printed on the label. This unit can program tracks to use the extra time. When the total recording time is a little longer than the tape's specified recording time after editing, the display shows the extra time (without a minus mark), instead of the time remaining on the tape (with the minus mark).

## NOTE

- The AI edit recording function cannot be used with discs containing 31 tracks or more.
- Recording is inhibited if the erasure prevention tab on either side of the tape is broken off.

## GRABACION CON EDICION PROGRAMADA



En la función de grabación con edición programada, las canciones pueden ser programadas mientras se comprueba el tiempo restante de cada cara de la cinta según se programan las canciones.

### NOTA

La grabación con edición programada no empezará desde un punto ubicado en medio de la cinta. La cinta deberá grabarse desde el principio de una de las caras.

#### 1 Inserte la cinta en la platina 2 y pulse DOLBY NR para activar o desactivar Dolby NR.

Inserte la cinta con la cara que vaya a grabar en primer lugar hacia afuera de la unidad.

#### 2 Pulse CD en el receptor estéreo e introduzca el(los) disco(s).

#### 3 Pulse dos veces EDIT/CHECK en el control remoto.

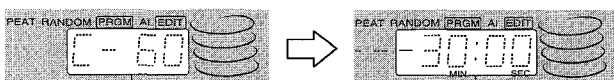
"EDIT" y "PRGM" quedarán resaltados.

- Cuando "AI" esté resaltado, pulse de nuevo EDIT/CHECK.

#### 4 Pulse los botones numerados del control remoto para designar la duración de la cinta.

Se puede especificar una duración de 10 a 99 minutos.

- ◀▶ también se pueden utilizar para designar la duración de la cinta.



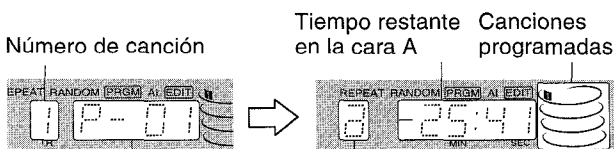
Duración de la cinta

Máximo tiempo de grabación para la cara A

#### 5 Pulse DISC DIRECT PLAY 1-3 para seleccionar un disco.

#### Luego, pulse los botones numerados 0-9 y +10 en el control remoto para programar una canción.

Ejemplo: Para seleccionar la canción 10 del disco 2, pulse DISC DIRECT PLAY 2 y luego pulse +10 y 0.



Número de canción

Tiempo restante en la cara A

Canciones programadas

Número de programa

Cara de la cinta

a: Primera cara de grabación (cara A)  
b: Segunda cara de grabación (cara B)

#### 6 Repita el paso 5 para el resto de las canciones para la cara A.

Una canción cuyo tiempo de reproducción sea superior al tiempo restante no podrá ser programada.

#### 7 Pulse EDIT/CHECK en el control remoto para seleccionar la cara B y programe las canciones para esta cara.

Después de confirmar que "b" aparezca en el visualizador, repita el paso 5.



#### 8 Pulse ●REC/REC MUTE para iniciar la grabación.

La cinta se rebobinará hasta el principio de la cara delantera, el segmento guía avanzará durante 10 segundos y la grabación empezará. Cuando termine la grabación de la cara delantera (A) empezará la grabación de la cara trasera (B).

#### Para detener la grabación

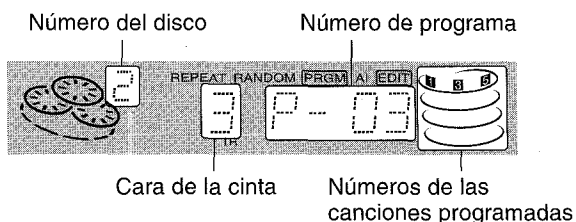
Pulse ■STOP en la platina de cassette o en el reproductor de discos compacto ( o ■CLEAR en el control remoto) . La grabación del disco compacto se pararán simultáneamente.

#### Para borrar el programa de edición

Pulse dos veces ■STOP en el reproductor de discos compactos (o dos veces ■CLEAR en el control remoto) en el modo de parada para que el indicador resaltado "EDIT" desaparezca del visualizador.

#### Para comprobar el orden de los números de las canciones programadas

En el modo de programa, pulse EDIT/CHECK en el control remoto para seleccionar una cara, y pulse repetidamente ◀▶ en el reproductor de discos compactos.



Número del disco

Número de programa

Cara de la cinta

Números de las canciones programadas

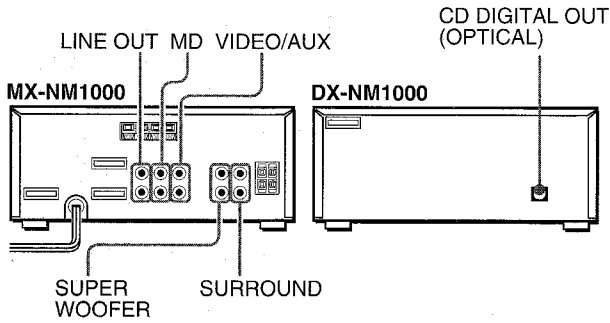
#### Para cambiar el programa de cada cara

Pulse EDIT/CHECK en el control remoto para seleccionar una cara, y pulse ■STOP en el reproductor de discos compactos (o ■CLEAR en el control remoto) para borrar el programa en la cara seleccionada. Luego programe de nuevo las canciones.

### NOTA

- Se puede programar un máximo de 30 canciones de cualquiera de los discos introducidos.
- La grabación resulta imposible si está rota la lengüeta de prevención de borrado de ambas caras de la cinta.

## CONNECTING OPTIONAL EQUIPMENT



Refer to the operating instructions of the connected equipment for details.

- The connecting cords are not supplied. Obtain the necessary connecting cords.
- Consult your local Aiwa dealer for optional equipment.

### VIDEO/AUX JACKS

The MX-NM1000 can input analog sound signals through these jacks.

Use a cable with RCA phono plugs to connect audio equipment (turntables, LD players, MD players, VCRs, TV, etc.).

Connect the red plug to **VIDEO/AUX R** jack, and the white plug to **VIDEO/AUX L** jack.

#### When connecting a turntable

Use an Aiwa turntable equipped with a built-in equalizer amplifier.

### MD JACKS

It is recommended that this jack be used to connect an MD player.

Use a cable with RCA phono plugs.

Connect the red plug to **MD R** jack of the MX-NM1000, and the white plug to **MD L** jack.

### LINE OUT JACKS

The MX-NM1000 can output analog sound signals through these jacks.

Use a cable with RCA phono plugs to connect audio equipment with **LINE IN** (analog input) jacks.

Connect the red plug of a cable to **LINE OUT R** jack, and the white plug to **LINE OUT L** jack.

#### NOTE

Do not connect any equipment to **LINE OUT** jacks and **VIDEO/AUX** jacks simultaneously. Otherwise, noise is generated and malfunction occurs.

### SURROUND JACKS

Connect optional surround speakers with 8 to 16 ohm impedance to **SURROUND** jacks of the MX-NM1000.

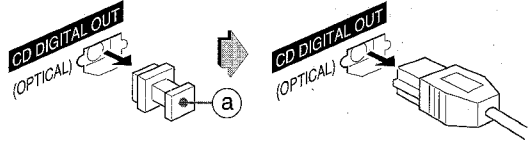
### SUPER WOOFER JACKS

Connect optional powered sub woofers with built-in amplifier to **SUPER WOOFER** jacks of the MX-NM1000.

### CD DIGITAL OUT (OPTICAL) JACK

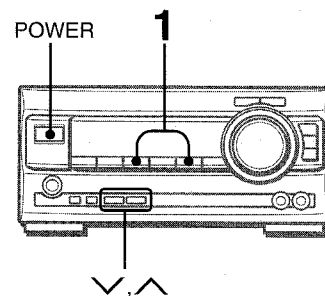
The DX-NM1000 can output CD digital sound signals through this jack. Use an optical cable to connect digital audio equipment (DAT deck, MD recorder, etc.).

Remove the dust cap **(a)** from **CD DIGITAL OUT (OPTICAL)** jack. Then, connect an optical cable plug to **CD DIGITAL OUT (OPTICAL)** jack.



When **CD DIGITAL OUT (OPTICAL)** jack is not being used Attach the supplied dust cap **(a)**.

## LISTENING TO EXTERNAL SOURCES



To play equipment connected to **VIDEO/AUX** jacks or **MD** jacks proceed as follows.

#### 1 Press VIDEO/AUX or MD.

To play the equipment connected to **VIDEO/AUX**, press **VIDEO/AUX**. "VIDEO" appears on the display.

To play the equipment connected to **MD**, press **MD**. "MD" appears on the display.

#### 2 Play the connected equipment.

#### To change a source name in the display

When **VIDEO/AUX** is pressed, "VIDEO" is displayed initially. It can be changed to "AUX" or "TV".

With the power on, press **POWER** while pressing **VIDEO/AUX**. Repeat the procedure to select one of the names.

#### To adjust the sound level of the external source

When the sound level of the external source is much higher or much lower than that of other function sources, adjust it as follows.

1 Press **VIDEO/AUX** or **MD** and play the equipment.

2 Press **V** or **^** so that the sound level becomes the same as that of the other function sources.

#### NOTE

During recording, the sound level can not be adjusted.

## CARE AND MAINTENANCE

Occasional care and maintenance of the unit and the software are needed to optimize the performance of your unit.

### To clean the cabinet

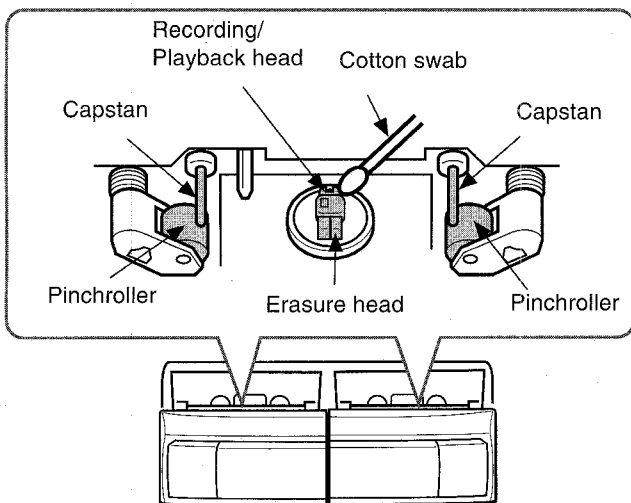
Use a soft and dry cloth.

If the surfaces are extremely dirty, use a soft cloth lightly moistened with mild detergent solution. Do not use strong solvents, such as alcohol, benzine or thinner as these could damage the finish of the unit.

### To clean the heads and tape paths

After every 10 hours of use, clean the heads and tape paths with a head cleaning cassette or cotton swab moistened with cleaning fluid or denatured alcohol. (These cleaning kits are commercially available.)

When cleaning with a cotton swab, wipe the recording/playback head (deck 2 only), erasure head (deck 2 only), capstans, and pinchrollers.



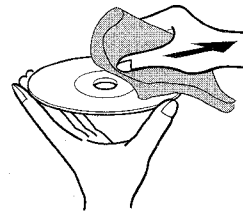
After cleaning the heads and tape paths with a liquid head cleaning cassette or a moistened swab, wait until the cleaned parts are completely dry before inserting the tapes.

### To demagnetize the heads

The heads may become magnetized after long-term use. This may narrow the output range of recorded tapes and increase noise. After 20 to 30 hours use, demagnetize the heads with any commercially available demagnetizer.

### Care of discs

- When a disc becomes dirty, wipe the disc from the center out with a cleaning cloth.



- After playing a disc, store the disc in its case. Do not leave the disc in places that are hot or humid.

### Care of tapes

- Store tapes in their cases after use.
- Do not leave tapes near magnets, motors, television sets, or any source of magnetism. This will downgrade the sound quality and cause noise.
- Do not expose tapes to direct sunlight, or leave them in a car parked in direct sunlight.

# TROUBLESHOOTING GUIDE

If the unit fails to perform as described in these Operating Instructions, check the following guide.

## GENERAL

### There is no sound.

- Is the AC cord connected properly?
- Is there a bad connection? (→ page 4)
- There may be a short circuit in the speaker terminals.
- → Disconnect the AC cord, then correct the speaker connections.
- Was an incorrect function button pressed?

### Sound is emitted from one speaker only.

- Is the other speaker disconnected?

### The output sound is not stereo.

- Is the Karaoke function turned on? (→ page 19)

### An erroneous display or a malfunction occurs.

- Reset the unit. See "To reset".

## STEREO RECEIVER

### There is constant, wave-like static.

- Is the antenna connected properly? (→ page 5)
- Is the signal weak?
  - Connect an outdoor antenna.

### The reception contains noise interferences or the sound is distorted.

- Is the system picking up external noise or multipath distortion?
  - Change the orientation of the antenna.
  - Move the unit away from other electrical appliances.

## CASSETTE DECK

### The tape does not run.

- Is deck in pause mode? (→ page 25)

### The sound is off-balance or not adequately high.

- Is the playback head dirty? (→ page 31)

### Recording is not possible.

- Is the erasure prevention tab on the tape broken off? (→ page 26)
- Is the recording head dirty? (→ page 31)

### Erasure is not possible.

- Is the erasure head dirty? (→ page 31)
- Is a metal tape being used?

### High frequency sound is not emitted.

- Is the recording/playback head dirty? (→ page 31)
- Is a tape recorded without Dolby NR played back with the Dolby NR system operating? (→ page 25)

## CD PLAYER

### The CD player does not play.

- Is the disc correctly placed? (→ page 20)
- Is the disc dirty? (→ page 31)
- Is the lens affected by condensation?
  - Wait approximately one hour and try again.

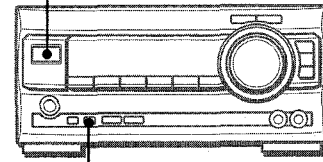
## To reset

If an unusual condition occurs in the display windows or the cassette decks, reset the unit as follows.

- 1 Press **POWER** to turn off the power.
- 2 Press **POWER** to turn the power back on while pressing **SET**. Everything stored in memory after purchase is canceled.

If the power cannot be turned off in step 1 because of a malfunction, disconnect the AC cord. Then connect it again and carry out step 2.

POWER



SET

Stereo receiver



# SPECIFICATIONS

## STEREO RECEIVER MX-NM1000

### FM tuner section

Tuning range	87.5 MHz to 108 MHz
Usable sensitivity (IHF)	13.2 dBf
Antenna terminals	75 ohms (unbalanced)

### AM tuner section

Tuning range	530 kHz to 1710 kHz (10 kHz step) 531 kHz to 1602 kHz (9 kHz step)
Usable sensitivity	350 $\mu$ V/m
Antenna	Loop antenna

### Amplifier section

Power output	65 W + 65 W (50 Hz – 20 kHz, THD less than 1%, 6 ohms)
Total harmonic distortion	0.1 % (8 W, 1 kHz, 6 ohms, DIN AUDIO)
Inputs	VIDEO/AUX: 150 mV (adjustable) MD: 150 mV (adjustable) MIC 1, MIC 2: 1 mV (10 kohms)
Outputs	LINE OUT: 210 mV SPEAKERS: accept speakers of 6 ohms or more SURROUND SPEAKERS: accept speakers of 8 ohms to 16 ohms PHONES (stereo jack): accepts headphones of 32 ohms or more

### General

Power requirements	120 V AC, 60 Hz
Power consumption	105 W
Dimensions of main unit (W x H x D)	260 x 121.5 x 345 mm (10 <sup>1</sup> / <sub>4</sub> x 4 <sup>7</sup> / <sub>8</sub> x 13 <sup>5</sup> / <sub>8</sub> in.)
Weight of main unit	5.8 kg (12 lbs 14 oz.)

## CASSETTE DECK FX-NM1000

Track format	4 tracks, 2 channels stereo
Frequency response	Type II (high/CrO <sub>2</sub> ) tape: 50 Hz – 16000 Hz Type I (normal) tape: 50 Hz – 15000 Hz
Signal-to-noise ratio	60 dB (Dolby B NR ON, Type II tape peak level)
Recording system	AC bias
Heads	Deck 1: Playback head x 1 Deck 2: Recording/playback head x 1, erase head x 1
Dimensions of main unit (W x H x D)	260 x 121.5 x 318 mm (10 <sup>1</sup> / <sub>4</sub> x 4 <sup>7</sup> / <sub>8</sub> x 12 <sup>5</sup> / <sub>8</sub> in.)
Weight of main unit	1.8 kg (3 lbs 15 oz.)

## CD PLAYER DX-NM1000

Laser	Semiconductor laser ( $\lambda = 780$ nm)
D-A converter	1 bit dual
Signal-to-noise ratio	85 dB (1 kHz, 0 dB)
Harmonic distortion	0.05 % (1 kHz, 0 dB)
Wow and flutter	Unmeasurable
Dimensions of main unit (W x H x D)	260 x 106 x 318 mm (10 <sup>1</sup> / <sub>4</sub> x 4 <sup>1</sup> / <sub>4</sub> x 12 <sup>5</sup> / <sub>8</sub> in.)
Weight of main unit	2.2 kg (4 lbs 14 oz.)

## GRAPHIC EQUALIZER GE-NM1000

Dimensions of main unit (W x H x D)	260 x 100.5 x 322 mm (10 <sup>1</sup> / <sub>4</sub> x 4 x 12 <sup>3</sup> / <sub>4</sub> in.)
Weight of main unit	1.0 kg (2 lbs 3 oz.)

## SPEAKER SYSTEM SX-NMT1000


Cabinet type	3 way (magnetic shielded type)
Speakers	Woofer: 140 mm (5 <sup>5</sup> / <sub>8</sub> in.) cone type x 2 Tweeter: 60 (2 <sup>3</sup> / <sub>8</sub> in.) mm cone type Super tweeter: 20 mm (1 <sup>3</sup> / <sub>16</sub> in.) ceramic type
Impedance	6 ohms
Output sound pressure level	88 dB/W/m
Dimensions (W x H x D)	220 x 440 x 250 mm (8 <sup>3</sup> / <sub>4</sub> x 17 <sup>3</sup> / <sub>8</sub> x 9 <sup>7</sup> / <sub>8</sub> in.)
Weight	5.8 kg (12 lbs 14 oz.)

Specifications and external appearance are subject to change without notice.

### BBE SYSTEM

The word "BBE" and the "BBE symbol" are trademarks of BBE Sound, Inc.  
Under license from BBE Sound, Inc.

### DOLBY NR

Dolby noise reduction manufactured under license from Dolby Laboratories Licensing Corporation.  
"DOLBY" and the double-D symbol  are trademarks of Dolby Laboratories Licensing Corporation.

### COPYRIGHT

Please check the laws on copyright relating to recordings from discs, radio or external tape for the country in which the machine is being used.

### NOTE

This equipment has been tested and found to comply with the limits for a Class B digital device, pursuant to Part 15 of the FCC Rules. These limits are designed to provide reasonable protection against harmful interference in a residential installation.

This equipment generates, uses, and can radiate radio frequency energy and, if not installed and used in accordance with the instructions, may cause harmful interference to radio communications. However, there is no guarantee that interference will not occur in a particular installation. If this equipment does cause harmful interference to radio or television reception, which can be determined by turning the equipment off and on, the user is encouraged to try to correct the interference by one or more of the following measures:

- Reorient or relocate the receiving antenna.
- Increase the separation between the equipment and receiver.
- Connect the equipment into an outlet on circuit different from that to which the receiver is connected.
- Consult the dealer or an experienced radio/TV technician for help.

### CAUTION

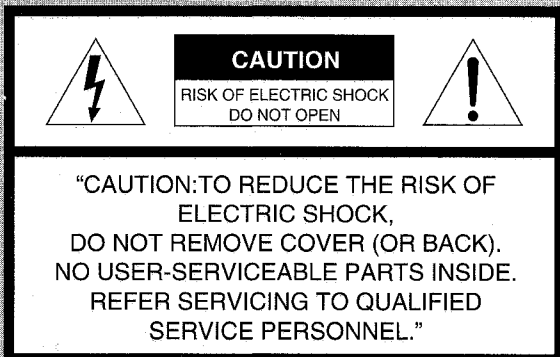
Modifications or adjustments to this product, which are not expressly approved by the manufacturer, may void the user's right or authority to operate this product.

GENERAL

En

## ADVERTENCIA

PARA REDUCIR EL RIESGO DE INCENDIOS O SACUDIDAS ELECTRICAS, NO EXPONGA ESTE APARATO A LA LLUVIA NI A LA HUMEDAD.



### Explicación de los símbolos gráficos:



El símbolo del rayo con punta de flecha, en el interior de un triángulo equilátero, tiene la finalidad de avisar al usuario de la presencia de "tensiones peligrosas" sin aislar en el interior del producto que podrían ser de suficiente magnitud como para constituir un riesgo de sacudida eléctrica para las personas.



El signo de exclamación en el interior de un triángulo equilátero tiene la finalidad de avisar al usuario de la presencia de instrucciones de operación y mantenimiento (reparación) en el material impreso que acompaña al aparato.

### Anotación del propietario

Para su conveniencia, anote el número de modelo y el número de serie (los encontrará en el panel trasero de su aparato) en el espacio suministrado más abajo. Menciónelos cuando se ponga en contacto con su concesionario Aiwa en caso de tener dificultades.

N.º de modelo	N.º de serie (N.º de lote)
GE-NM1000	
MX-NM1000	
DX-NM1000	
FX-NM1000	
SX-NMT1000	

## PRECAUCIONES

Lea cuidadosa y completamente el manual de instrucciones antes de utilizar la unidad. Asegúrese de guardar el manual de instrucciones para utilizarlo como referencia en el futuro. Todas las advertencias y precauciones del manual de instrucciones y de la unidad deberán cumplirse estrictamente, así como también las sugerencias de seguridad mencionadas más abajo.

### Instalación

- 1 Agua y humedad** — No utilice esta unidad cerca del agua como, por ejemplo, cerca de una bañera, una palangana, una piscina o algo similar.
- 2 Calor** — No utilice esta unidad cerca de fuentes de calor, incluyendo salidas de aire caliente, estufas u otros aparatos que generen calor.  
No deberá colocarse tampoco en lugares donde la temperatura sea inferior a 5°C o superior a 35°C.
- 3 Superficie de montaje** — Ponga la unidad sobre una superficie plana y nivelada.
- 4 Ventilación** — La unidad deberá situarse donde tenga suficiente espacio libre a su alrededor, para que la ventilación apropiada quede asegurada. Deje un espacio libre de 10 cm por la parte posterior y superior de la unidad, y 5 cm por cada lado.
  - No ponga la unidad sobre una cama, una alfombra o superficies similares que podrían tapan las aberturas de ventilación.
  - No instale la unidad en una librería, mueble o estantería cerrada herméticamente donde la ventilación no sea adecuada.
- 5 Entrada de objetos y líquidos** — Tenga cuidado de que objetos y líquidos no entren en la unidad por las aberturas de ventilación.
- 6 Carros de mano y soportes** — Cuando ponga o monte la unidad en un soporte o carro de mano, ésta deberá moverse con mucho cuidado.  
Las paradas repentinas, la fuerza excesiva y las superficies irregulares pueden hacer que la unidad o el carro de mano se dé vuelta o se caiga.
- 7 Condensación** — En la lente del fonocaptor del reproductor de discos compactos tal vez se forme condensación cuando:
  - La unidad se pase de un lugar frío a uno caliente
  - El sistema de calefacción se acabe de encender
  - La unidad se utilice en una habitación muy húmeda
  - La unidad se enfríe mediante un acondicionador de aire
 Esta unidad tal vez funcione mal cuando tenga condensación en su interior. En este caso, deje en reposo la unidad durante unas pocas horas y repita de nuevo la operación.
- 8 Montaje en pared o techo** — La unidad no se deberá montar en una pared ni en el techo, a menos que se especifique lo contrario en el manual de instrucciones.



### Energía eléctrica

- 1 Fuentes de alimentación** — Conecte solamente esta unidad a las fuentes de alimentación especificadas en el manual de instrucciones, y como está marcado en la unidad.
- 2 Polarización** — Como característica de seguridad, algunas unidades están equipadas con clavijas de alimentación de CA polarizadas, las cuales sólo se pueden insertar de una forma en las tomas de corriente. Si resulta difícil o imposible insertar la clavija de alimentación de CA en una toma de corriente, dé vuelta a la clavija e inténtelo de nuevo. Si sigue sin poder insertar fácilmente la clavija en la toma de corriente, llame a un electricista cualificado para que modifique o reemplace la toma de corriente. Para evitar anular la característica de seguridad de la clavija polarizada, no la inserte a la fuerza en una toma de corriente.

### 3 Cable de alimentación de CA

- Cuando desconecte el cable de alimentación de CA, sujete la clavija de alimentación de CA y tire de ella. No tire del propio cable.
- Nunca maneje la clavija de alimentación de CA con las manos mojadas porque podría producirse un incendio o una sacudida eléctrica.
- Los cables de alimentación deberán colocarse de forma que no sean doblados excesivamente, pellizcados o pisados. Tenga mucho cuidado con el cable que va de la unidad a la toma de corriente.
- Evite sobrecargar las tomas de CA y los cables de extensión más allá de su capacidad porque esto podría causar un incendio o una sacudida eléctrica.

**4 Cable de extensión** — Para evitar sacudidas eléctricas, no utilice la clavija de alimentación de CA polarizada con un cable de extensión, ni tampoco en un receptáculo u otra toma de corriente a menos que la clavija polarizada pueda insertarse completamente evitando que sus patillas queden expuestas.

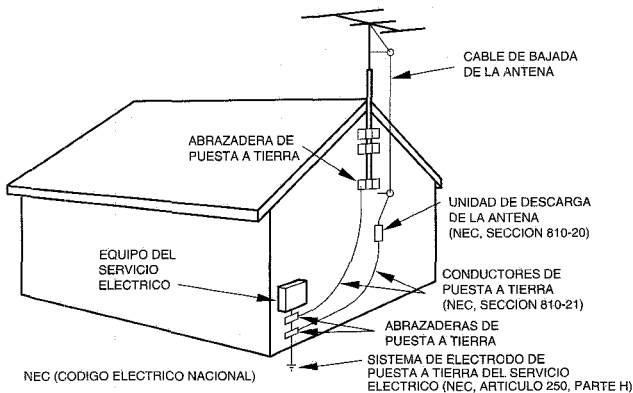
**5 Periodos de no utilización** — Desenchufe el cable de alimentación de CA de la toma de corriente si la unidad no va a ser utilizada durante varios meses o más. Cuando el cable de alimentación esté conectado, por la unidad continuará circulando una pequeña cantidad de corriente, aunque la alimentación esté desconectada.

### Antena exterior

**1 Líneas de alta tensión** — Cuando conecte una antena exterior, asegúrese de colocarla lejos de las líneas de alta tensión.

**2 Conexión a tierra de la antena exterior** — Asegúrese de que el sistema de la antena esté conectado correctamente a tierra para proporcionar así una protección contra el exceso inesperado de tensión o contra la acumulación de electricidad estática. El artículo 810 del Código Eléctrico Nacional, ANSI/NFPA70, proporciona información acerca de la puesta a tierra apropiada del mástil de la antena, la estructura de apoyo y el cable de bajada a la unidad de descarga de la antena, así como también del tamaño de la unidad de puesta a tierra, la conexión de los terminales de puesta a tierra y los requisitos para conectar a tierra los mismos terminales.

Puesta a tierra de la antena según el Código Eléctrico Nacional



### Mantenimiento

Limpie la unidad sólo como se recomienda en el manual de instrucciones.

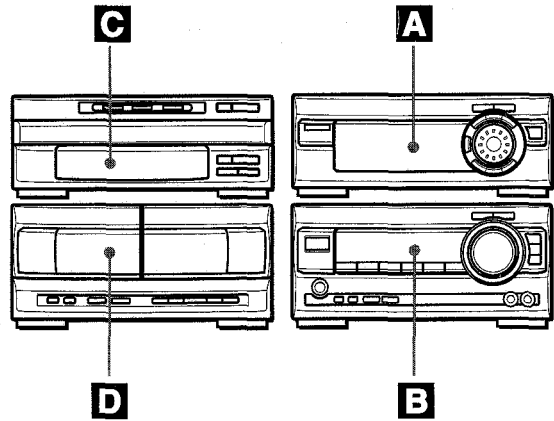
### Daños que necesitan ser reparados

Haga que un técnico en reparaciones cualificado le repare las unidades si:

- El cable de alimentación de CA o su clavija está estropeado.
- Objetos extraños o líquidos han entrado en la unidad.
- La unidad ha estado expuesta a la lluvia o al agua.
- La unidad no parece funcionar normalmente.
- La unidad muestra un cambio considerable en sus prestaciones.
- La unidad se ha caído o la caja se ha estropeado.

**NO TRATE DE REPARAR LA UNIDAD USTED MISMO.**

## INDICE



**PRECAUCIONES** ..... 2

### PREPARATIVOS

**CONEXIONES** ..... 4  
**CONTROL REMOTO** ..... 6  
**ANTES DE LA OPERACION** ..... 6  
**AJUSTES DE AUDIO** ..... 7

### A ECUALIZADOR GRAFICO

**INDICE DE PARTES** ..... 8  
**ECUALIZADOR GRAFICO** ..... 8  
**DSP SURROUND** ..... 10  
**FUNCION DE REPRODUCCION CON PATRON DE RITMO (BEAT MASTER)** ..... 12  
**PUESTA EN HORA DEL RELOJ** ..... 13  
**AJUSTE DEL TEMPORIZADOR PARA DORMIR** ..... 13  
**AJUSTE DEL TEMPORIZADOR** ..... 14

### B RECEPTOR ESTÉREO

**INDICE DE PARTES** ..... 16  
**RECEPCION DE LA RADIO** ..... 16  
**PREAJUSTE DE EMISORAS** ..... 17  
**MEZCLA MICROFONICA (KARAOKE)** ..... 18

### C REPRODUCTOR DE DISCOS COMPACTOS

**INDICE DE PARTES** ..... 20  
**REPRODUCCION DE DISCOS COMPACTOS** ..... 20  
**REPRODUCCION PROGRAMADA** ..... 22  
**PROGRAMA DE KARAOKE** ..... 23

### D PLATINA DE CASETE

**INDICE DE PARTES** ..... 24  
**REPRODUCCION DE CINTAS** ..... 24  
**REPRODUCCION CONTINUA** ..... 25  
**GRABACION BASICA** ..... 26  
**COPIADO MANUAL DE UNA CINTA** ..... 27  
**COPIADO DE TODA LA CINTA** ..... 27  
**GRABACION CON EDICION AI** ..... 28  
**GRABACION CON EDICION PROGRAMADA** ..... 29

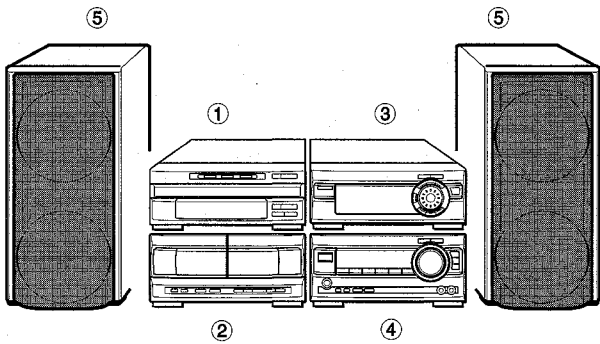
### GENERALIDADES

**CONEXION DE UN EQUIPO OPCIONAL** ..... 30  
**ESCUCHA DE FUENTES DE SONIDO EXTERNAS** ..... 30  
**CUIDADOS Y MANTENIMIENTO** ..... 31  
**GUIA PARA LA SOLUCION DE PROBLEMAS** ..... 32  
**ESPECIFICACIONES** ..... 33

**E**

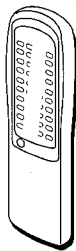
# CONEXIONES

## Compruebe su sistema y accesorios

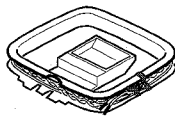


- ① Reproductor de discos compactos DX-NM1000
- ② Platina de casete estéreo FX-NM1000
- ③ Ecuilizador gráfico GE-NM1000
- ④ Receptor estéreo MX-NM1000
- ⑤ Altavoces delanteros SX-NMT1000

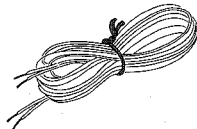
Control remoto



Antena de AM



Antena de FM

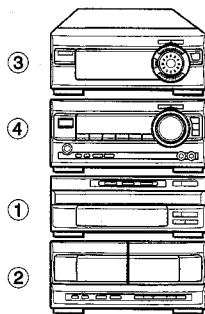


Manual de instrucciones, etc.

## Instalación de las unidades

Ponga la unidades horizontalmente como se muestra en la ilustración de arriba.

Cuando las ponga verticalmente, consulte la ilustración siguiente.



### NOTA

- No ponga la platina de casete estéreo encima del reproductor de discos compactos. La ventanilla superior del reproductor de discos compactos podría estropearse.
- Asegúrese de que la platina de casete estéreo esté colocada en el lado izquierdo del receptor estéreo. Si la platina de casete se pone a la derecha o encima del receptor estéreo, o si el receptor estéreo se pone encima de la platina de casete estéreo, se pueden generar ruidos o el sistema estéreo tal vez no pueda funcionar bien.

## IMPORTANTE

Conecte primero los altavoces, las antenas y todos los demás equipos opcionales. Finalmente conecte el cable de alimentación de CA.

### Antes de conectar el cable de alimentación de CA

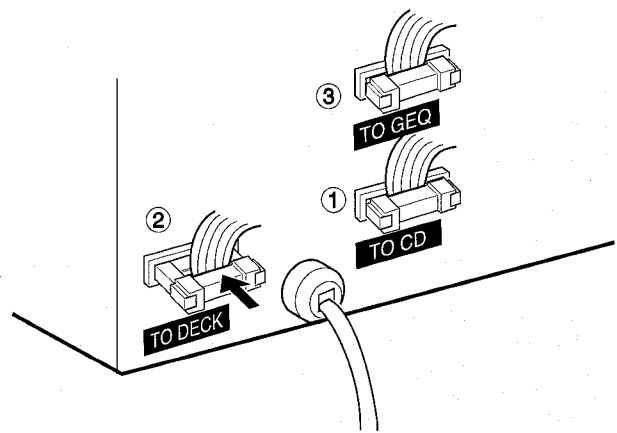
La tensión nominal de su unidad mostrada en el panel trasero del receptor estéreo es de 120 V CA. Compruebe que la tensión nominal concuerde con la tensión de su localidad.

### Altavoces

El altavoz colocado a la derecha de la unidad según ésta está enfrente de usted es el "altavoz derecho" y el otro es el "altavoz izquierdo".

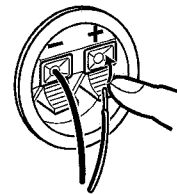
### 1 Conecte los cables planos del DX-NM1000 ①, FX-NM1000 ② y GE-NM1000 ③ al MX-NM1000.

Empuje el conector hasta que haga un ruido seco.



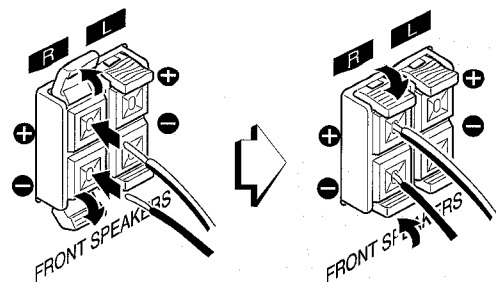
### 2 Conecte los cables de los altavoces a los altavoces delanteros SX-NMT1000.

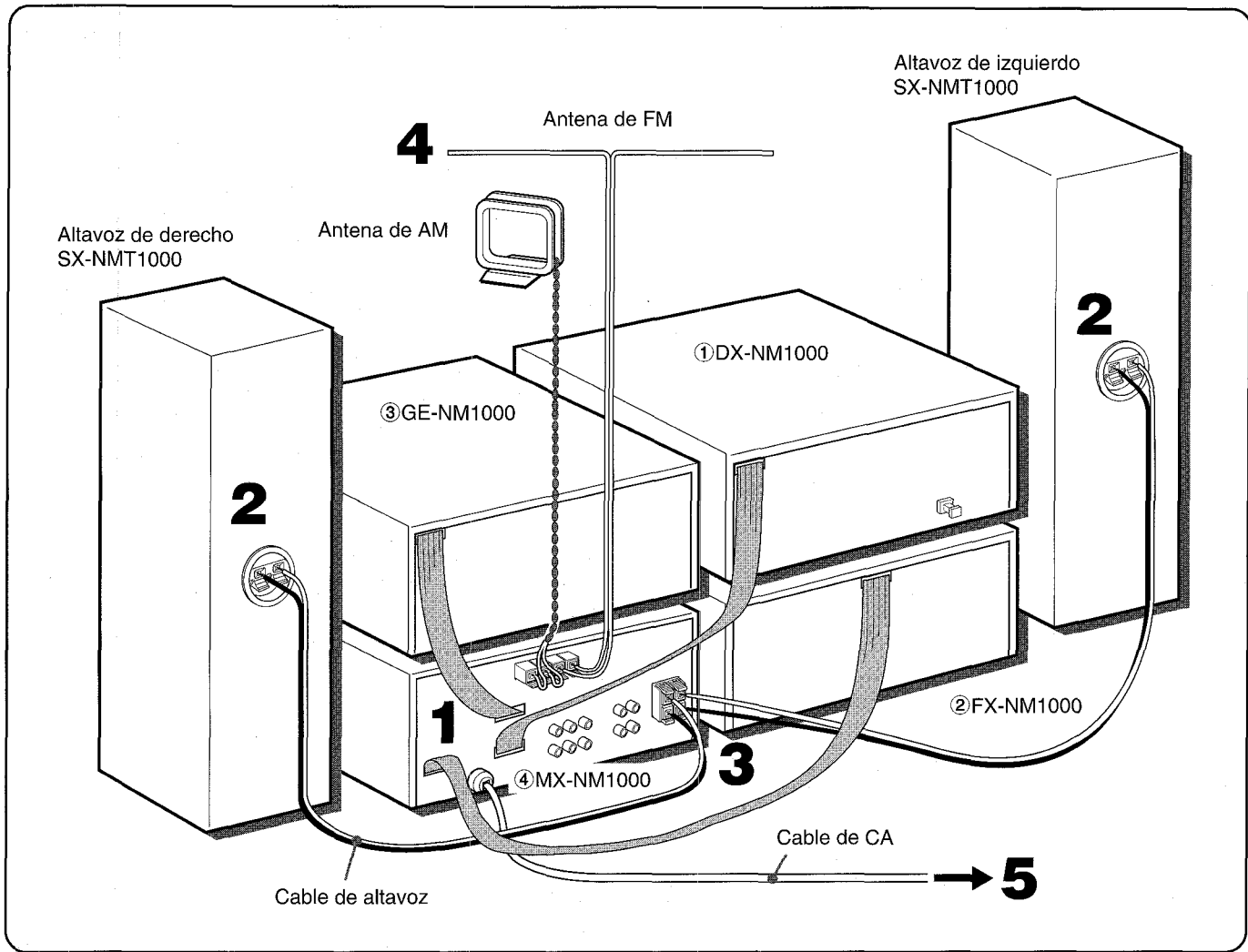
Conecte los cables con franjas blancas a los terminales ⊕ y los demás cables a los terminales ⊖.



### 3 Conecte los cables de los altavoces al MX-NM1000.

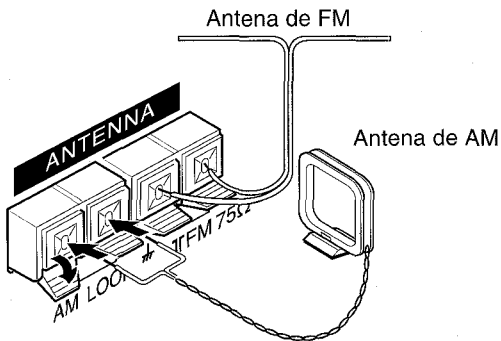
Conecte los cables con franjas blancas a los terminales ⊕ y los demás cables a los terminales ⊖.





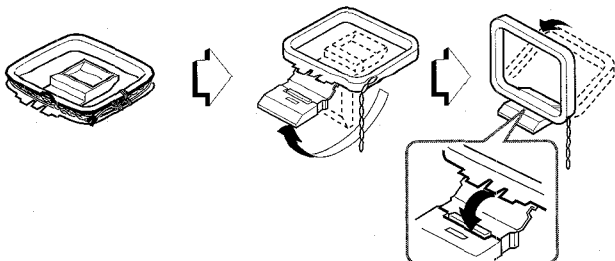
**4 Conecte las antenas suministradas.**

Conecte la antena de FM a los terminales **FM 75 Ω** y la antena de AM a los terminales **AM LOOP**.



**5 Conecte el cable de alimentación de CA a una toma de CA.**

Para poner la antena de AM en posición vertical sobre una superficie  
Fije el gancho en la ranura.



**Colocación de las antenas**

**Antena de FM:**

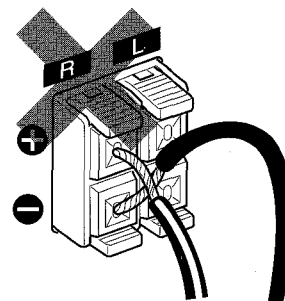
Extienda horizontalmente esta antena en forma de T y fije sus extremos a la pared.

**Antena de AM:**

Póngala en la posición que ofrezca la mejor recepción.

**NOTA**

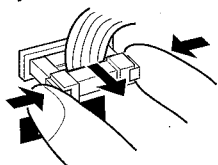
- Asegúrese de conectar correctamente los cables de los altavoces. Las conexiones mal hechas podrían causar cortocircuitos en los terminales **SPEAKERS**.



- No deje objetos que generen magnetismo, tales como tarjetas de crédito, cerca de los altavoces porque podrían estropearse.
- No ponga la antena de FM cerca de objetos metálicos o rieles de cortinas.
- No ponga la antena de AM cerca de otros equipos opcionales, el propio sistema estéreo, el cable de alimentación de CA o los cables de los altavoces porque podrían captarse ruidos.
- No desbobine el cable de la antena de AM.

## Para desenchufar el conector del cable plano

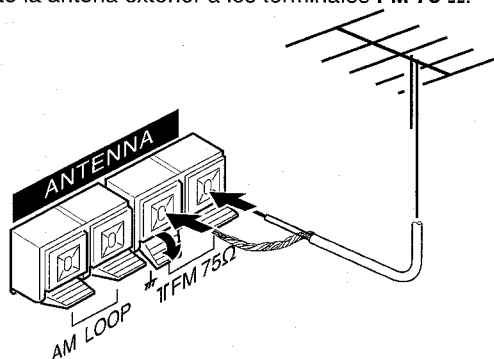
Presione las lengüetas y tire hacia afuera.



## CONEXION DE UNA ANTENA EXTERIOR

Se recomienda utilizar una antena exterior para mejorar la recepción de FM.

Conecte la antena exterior a los terminales **FM 75 Ω**.

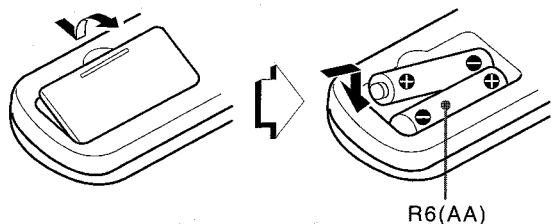


Para conectar otro equipo opcional → Página 30.

## CONTROL REMOTO

### Inserción de las pilas

Quite la tapa de las pilas, ubicada en la parte trasera del control remoto, e inserte dos pilas R6 (tamaño AA).



### Cuándo cambiar las pilas

La distancia de control máxima entre el control remoto y el sensor de la unidad principal deberá ser de 5 metros aproximadamente. Las pilas deberán cambiarse por otras nuevas cuando disminuya esta distancia.

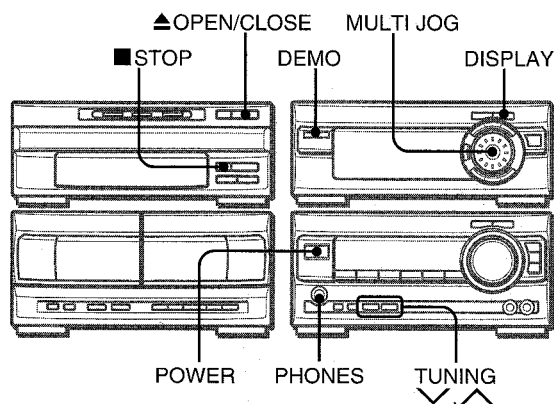
### Utilización del control remoto

Las instrucciones de este manual se refieren principalmente a los botones de la unidad principal. Los botones del control remoto cuyos nombres son los mismos que los de la unidad principal también pueden utilizarse.

### NOTA

- Si el control remoto no va a ser utilizado durante un largo periodo de tiempo, quite las pilas para evitar posibles fugas de electrólito.
- El control remoto puede no funcionar correctamente cuando:
  - La línea de visión entre el control remoto y el sensor de señales del interior del visualizador esté expuesta a una luz intensa como, por ejemplo, la luz solar directa.
  - Se utilizan otros controles remotos cerca (el de un televisor, etc.)

## ANTES DE LA OPERACION



### Para conectar la alimentación

Pulse uno de los botones de función (**TAPE, TUNER, VIDEO/AUX, CD o MD**). La reproducción de la cinta o del disco insertado empezará o se recibirá la emisora previamente sintonizada (función de reproducción directa).

También se podrá utilizar el botón **POWER**.

Cuando se encienda la unidad, el compartimento del disco podrá abrirse y cerrarse para reponer la unidad.

### Para desconectar la alimentación

Pulse **POWER**.

### Utilización de los auriculares

Conecte auriculares con clavija estéreo estándar (6,3 mm ø) a la toma **PHONES**.

Cuando estén conectados los auriculares no saldrá sonido por los altavoces.

## ILUMINACION Y VISUALIZACION

### Ventanilla parpadeante

La ventanilla de la parte superior del reproductor de discos compactos se encenderá o parpadeará mientras la alimentación esté conectada.

Para apagarla, pulse **STOP** del reproductor de discos compactos mientras pulsa **OPEN/CLOSE**. Para volver a encenderla, repita el procedimiento de arriba.

### Para reducir la intensidad de iluminación del visualizador

- 1 Pulse dos veces **DISPLAY** para que se visualice "DIMMER".
- 2 Antes de que pasen 4 segundos, gire **MULTI JOG** para seleccionar el modo del regulador de intensidad de luz de la forma siguiente:



**DIMMER 0:** La visualización normal.

**DIMMER 1:** La iluminación del visualizador es menos intensa que la normal.

**DIMMER 2:** La iluminación del visualizador es menos intensa que la de DIMMER 1, y el analizador de espectro y la iluminación de los botones se apagan.

### Para cambiar la visualización del analizador de espectro

Se pueden mostrar 4 patrones de visualización del analizador de espectro.

Pulse una vez **DISPLAY** y gire **MULTI JOG** antes de que pasen 4 segundos para seleccionar la visualización del analizador de espectro deseada.

## DEMOSTRACION DEL JUEGO

Cuando se conecte el cable de alimentación de CA o se pulse **DEMO**, los visualizadores empezarán la demostración y usted podrá disfrutar de la demostración del juego.

- La demostración se cancelará cuando se conecte la alimentación.

### Para jugar con la demostración del juego

- 1 Pulse **DEMO** para que se visualice la demostración del juego.
  - 2 Pulse **TUNING**  $\wedge$ .  
En el visualizador empiezan a moverse tres números.
  - 3 Pulse una vez **TUNING**  $\vee$ .  
El número del lado izquierdo se para.
  - 4 Pulse dos veces **TUNING**  $\vee$  para detener los dos números restantes.
- Podrá disfrutar de la demostración del juego con sonido del juego mientras la alimentación esté conectada.

#### Puntuación:

Al empezar el juego dispondrá de 20 puntos.

Si todos los números son iguales se añadirán 50 puntos a la puntuación.

Si no son iguales se le restará un punto.

Si los puntos ganados llegan a 9999, usted gana.

Si los puntos llegan a 0, usted pierde.

### Para cancelar la demostración del juego

Pulse **DEMO**. Para reactivar la demostración del juego, pulse de nuevo **DEMO**.

### Para reponer la demostración del juego

Pulse dos veces **DEMO**, y luego pulse **TUNING**  $\wedge$ . El juego empieza de nuevo.

### Para silenciar el sonido del juego

Cancele una vez la demostración del juego pulsando **DEMO**. Luego, mantenga pulsado **DEMO** hasta que se visualice "♪♪ OFF".

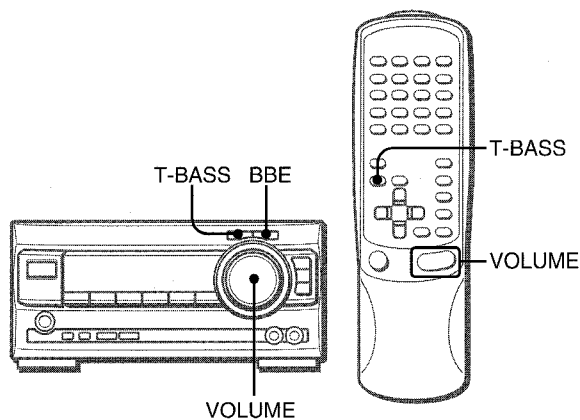
Para reponer el sonido del juego, mantenga pulsado **DEMO** hasta que se visualice "♪♪ ON".

### NOTA

- Mientras juega con la demostración del juego, **TUNING**  $\vee$  y **TUNING**  $\wedge$  sólo se encuentran disponibles para la demostración del juego. Cancele la demostración del juego para utilizar estos botones en funciones tales como la sintonización, el preajuste de una emisora, etc.
- Para cambiar el sonido del juego, consulte "FUNCION DE REPRODUCCION CON PATRON DE RITMO" en la página 12.
- Durante la demostración del juego, algunos indicadores no relacionados con la operación actual se encienden en el visualizador.

## AJUSTES DE AUDIO

Utilice los botones y controles del receptor estéreo o del control remoto.



## CONTROL DE VOLUMEN

Gire el control **VOLUME** del receptor estéreo o pulse **VOLUME** del control remoto.

El nivel del volumen se visualizará como un número del 0 al 50 (máximo).

El nivel del volumen se ajustará automáticamente a 20 cuando se desconecte la alimentación estando el nivel del volumen ajustado a 21 o más.

## SISTEMA BBE

El sistema BBE realza la claridad del sonido de alta frecuencia. También mejora la función Karaoke para que su voz suene más clara y agradable.

**Pulse BBE en el receptor estéreo.**

Cada vez que lo pulse, el nivel cambiará. Seleccione uno de los 3 niveles o la posición de apagado, lo que usted prefiera.



## SISTEMA SUPER T-BASS

El sistema T-BASS realza el realismo del sonido de baja frecuencia.

**Pulse T-BASS en el receptor estéreo.**

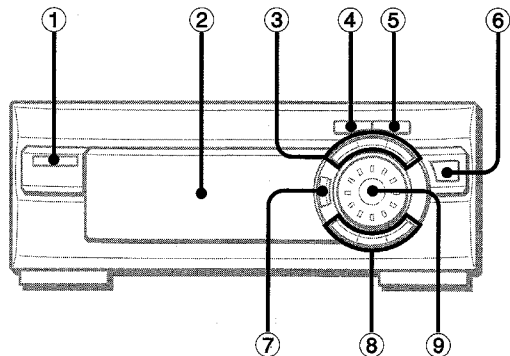
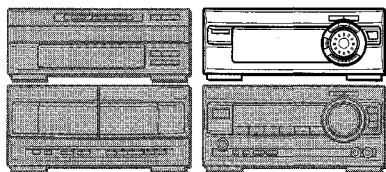
El nivel cambiará cada vez que se pulse el botón. Seleccione uno de los 4 niveles o la posición de apagado, lo que usted prefiera.



### NOTA

El sonido de baja frecuencia tal vez se distorsione cuando se utilice el sistema T-BASS con un disco o una cinta cuyo sonido de baja frecuencia haya sido realzado originalmente. En este caso, cancele el sistema T-BASS.

**INDICE DE PARTES**



Nombre	página
1 DEMO	7
2 Visualizador	
3 FREQ DOWN GEQ	9 8
FREQ UP	9
4 CLOCK/TIMER	13-15
5 DISPLAY	6,7
6 ENTER	9, 11, 12
7 RHYTHM	12
8 DELAY TIME SURROUND EFFECT	10,11 10,11 10,11
9 MULTI JOG	3-14

**ECUALIZADOR GRAFICO**

**SELECCION DE LA CURVA DE ECUALIZACIÓN PROGRAMADA**

Esta unidad proporciona las 5 curvas de ecualización programadas diferentes siguientes:

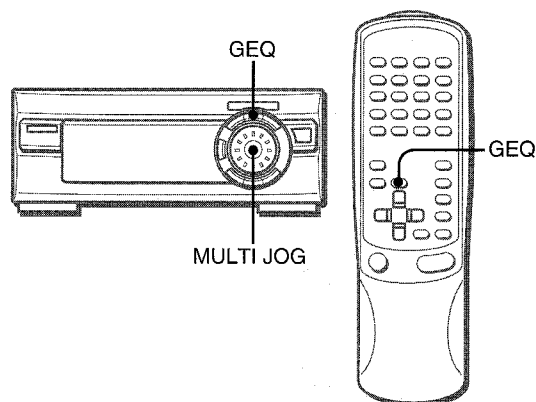
**ROCK:** Sonido potente que realza los agudos y los graves.

**POP:** Más presencia en las voces y en la gama de registro medio.

**JAZZ:** Frecuencias bajas acentuadas para la música tipo jazz.

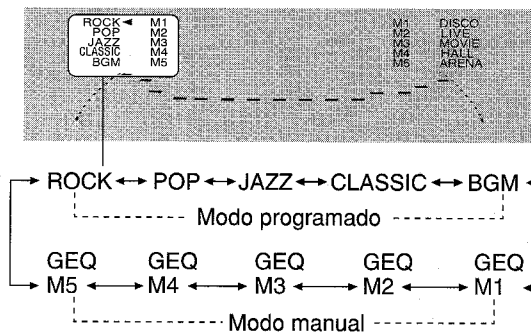
**CLASSIC:** Sonido enriquecido con graves profundos y agudos finos.

**BGM:** Tono suave con graves y agudos suprimidos.



Pulse **GEQ** y gire **MULTI JOG** para seleccionar una de las curvas de ecualización programadas antes de que pasen 4 segundos.

El modo GEQ se visualiza cíclicamente de la forma siguiente.



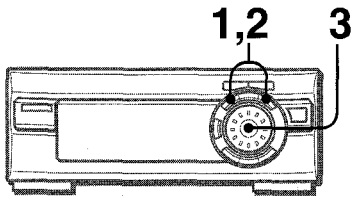
**Para cancelar el ecualizador gráfico**

Pulse **GEQ** una o dos veces para que aparezca "GEQ OFF" en el visualizador del receptor estéreo.

Cuando utilice el control remoto, pulse repetidamente **GEQ** hasta que se visualice "GEQ OFF".

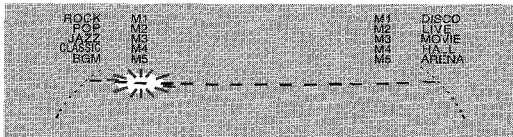


## AJUSTE MANUAL DE UNA CURVA DE ECUALIZACIÓN NUEVA

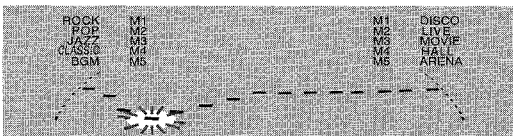


La curva de ecualización puede personalizarse según sus preferencias.

- 1 Pulse **FREQ DOWN** o **FREQ UP**.
- 2 Antes de que pasen 4 segundos, pulse repetidamente **FREQ DOWN** o **FREQ UP** para seleccionar la frecuencia que desee ajustar. El indicador de la frecuencia seleccionada parpadea durante 4 segundos.



- 3 Antes de que pasen 8 segundos, gire **MULTI JOG** para ajustar el nivel de la frecuencia seleccionada.

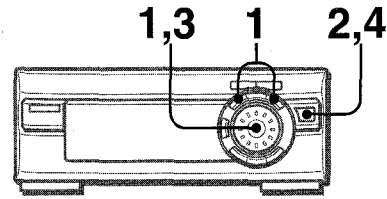


- 4 Repita los pasos 2 y 3 para completar la curva de ecualización.

### Para cancelar el ecualizador gráfico

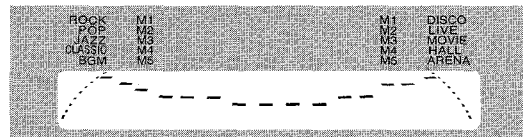
Pulse **GEQ** una o dos veces para que aparezca "GEQ OFF" en el visualizador del receptor estéreo. Cuando utilice el control remoto, pulse repetidamente **GEQ** hasta que se visualice "GEQ OFF".

## MEMORIZACION DE CURVAS DE ECUALIZACIÓN NUEVAS

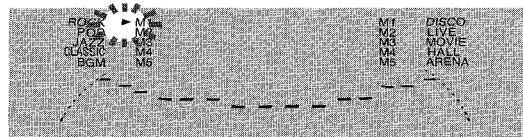


Se puede almacenar un máximo de 5 curvas de ecualización personalizadas como modos manuales M1 - M5.

- 1 Ajuste una curva de ecualización nueva con **FREQ DOWN**, **FREQ UP** y **MULTI JOG**. Consulte "AJUSTE MANUAL DE UNA CURVA DE ECUALIZACIÓN NUEVA". La curva creada se visualizará durante 8 segundos.



- 2 Pulse **ENTER** antes de que pasen 4 segundos. El indicador "M 1" parpadea en el visualizador durante 4 segundos.



- Si este paso no se completa antes de que pasen 4 segundos, pulse primero **GEQ** para visualizar "GEQ ON". Luego pulse **ENTER** antes de que pasen 4 segundos.

- 3 Antes de que pasen 8 segundos, gire **MULTI JOG** para seleccionar uno de los modos manuales M1 - M5 para almacenar una curva.

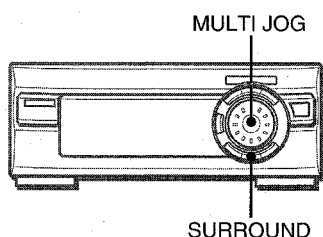
- 4 Pulse **ENTER** antes de que pasen 8 segundos. La curva de ecualización nueva se almacena.

**Para seleccionar la curva de ecualización almacenada.** Pulse **GEQ** y gire **MULTI JOG** para seleccionar uno de los modos manuales M1 - M5 antes de que pasen 4 segundos.

# DSP SURROUND

El DSP (procesador de señal digital) SURROUND ajusta el tiempo de retardo, el modo de entrada y el nivel de realimentación para ofrecer un sonido ambiental resonante que le permite disfrutar de la presencia real del sonido de diferentes ambientes. Esta unidad ha sido programada con 5 modos SURROUND diferentes. También podrá crear y memorizar hasta 5 de sus propios ajustes de sonido ambiental.

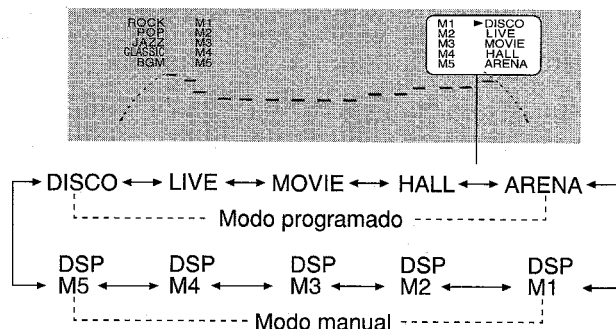
## SELECCION DE UN MODO DSP SURROUND PROGRAMADO



Cuando seleccione el modo DSP SURROUND programado podrá elegir la presencia del sonido de una discoteca (DISCO), una actuación en directo (LIVE), un cine (MOVIE), una sala de conciertos (HALL) o una arena (ARENA).

**Pulse SURROUND, y antes de que pasen 4 segundos gire MULTI JOG para seleccionar el modo programado deseado.**

El modo DSP SURROUND se visualiza cíclicamente de la forma siguiente.



Las curvas de ecualización se seleccionan automáticamente para que concuerden con a los modos DSP SURROUND programados. Para el modo manual se selecciona el número correspondiente del modo GEQ manual.

### Para cancelar DSP SURROUND

Pulse una o dos veces **SURROUND** para que "DSP OFF" aparezca en el receptor estéreo.

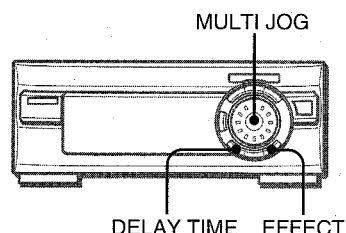
### Cuando la fuente musical sea mono

Seleccione "LIVE" o "MOVIE" para obtener el efecto estéreo simulado.

Cuando se seleccione "DISCO", "HALL" o "ARENA" no se oirá sonido procedente de los altavoces de sonido ambiental conectados. (Los altavoces de sonido ambiental no han sido suministrados. Consulte la página 30.)

## AJUSTE MANUAL DE UN NUEVO SONIDO DSP SURROUND

Los elementos del sonido DSP SURROUND pueden personalizarse.

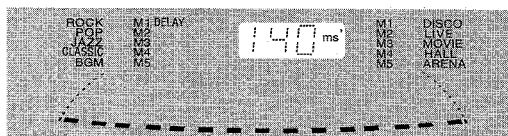


### DELAY TIME (Tiempo de retardo)

Al aumentar el número en el visualizador aumenta el tiempo de retardo y el efecto del sonido ambiental. "15", "20", "30", "50", "100" o "140" ms.

#### Para ajustar el tiempo de retardo

Pulse **DELAY TIME** y gire **MULTI JOG** para seleccionar uno de los niveles antes de que pasen 8 segundos.



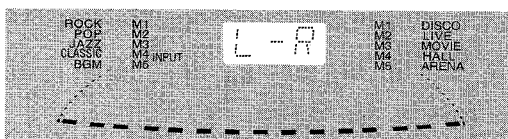
### L-R, L+R (Modo de entrada)

Cuando se visualice "L+R", el efecto del sonido ambiental aumentará, especialmente en el centro.

Cuando se visualice "L-R", el efecto del sonido ambiental aumentará en el exterior.

#### Para seleccionar un modo de entrada

Pulse una vez **EFFECT** y gire **MULTI JOG** para seleccionar "L-R" o "L+R" antes de que pasen 8 segundos.

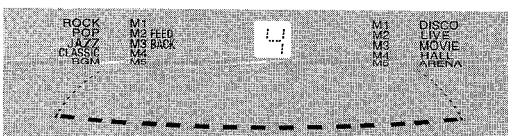


### FB (Nivel de realimentación)

Al aumentar el número en el visualizador aumenta el eco. Se puede seleccionar un nivel de "OFF" (0) a "7".

#### Para ajustar el nivel de realimentación

Pulse dos veces **EFFECT** y gire **MULTI JOG** para seleccionar uno de los niveles antes de que pasen 8 segundos.

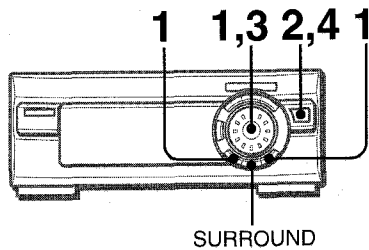


### Para cancelar DSP SURROUND

Pulse una o dos veces **SURROUND** para que "DSP OFF" aparezca en el receptor estéreo.

## MEMORIZACION DEL NUEVO SONIDO DSP SURROUND

Se puede memorizar un máximo de 5 sonidos DSP SURROUND como modos manuales M1 - M5.

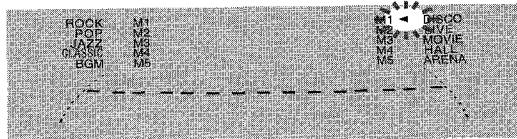


### 1 Ajuste un nuevo sonido DSP SURROUND con DELAY TIME, EFFECT y MULTI JOG.

Consulte "AJUSTE MANUAL DE UN NUEVO SONIDO DSP SURROUND".

### 2 Pulse ENTER antes de que pasen 8 segundos.

El indicador "◀" parpadeará para seleccionar uno de los modos M1 - M5.



- Si este paso no se completa antes de que pasen 8 segundos, pulse primero **SURROUND** para visualizar "DSP ON" en el receptor estéreo. Luego pulse **ENTER** antes de que pasen 4 segundos.

### 3 Antes de que pasen 8 segundos, gire MULTI JOG para seleccionar uno de los modos manuales M1 - M5.

### 4 Pulse ENTER antes de que pasen 8 segundos.

El nuevo sonido DSP SURROUND se memorizará.

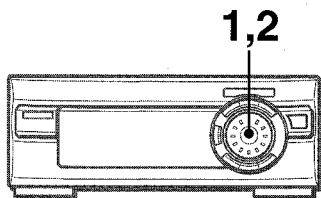
**Para seleccionar el sonido DSP SURROUND memorizado**  
Pulse **SURROUND** y gire **MULTI JOG** para seleccionar uno de los modos manuales M1 - M5 antes de que pasen 4 segundos. En este momento se selecciona automáticamente el correspondiente modo del ecualizador gráfico.

#### NOTA

Cuando se cambie el nivel MIC o ECHO (página 18), el modo DSP SURROUND se cancelará automáticamente.

## FUNCIÓN DE REPRODUCCIÓN CON PATRÓN DE RITMO (BEAT MASTER)

Podrá añadir un compás extra a su música.



Consulte la información del visualizador del receptor estéreo.

### PARA SELECCIONAR UN PATRÓN DE RITMO

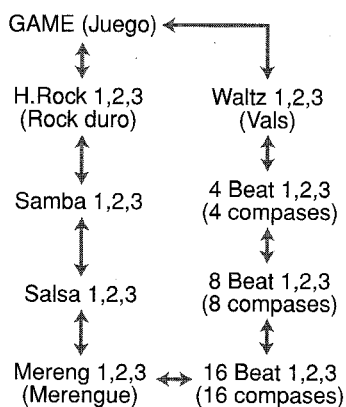
#### 1 Pulse MULTI JOG.

Se visualizará uno de los patrones de ritmo.



#### 2 Gire MULTI JOG para seleccionar el patrón de ritmo deseado.

El patrón de ritmo se visualizará cíclicamente de la forma siguiente.



#### Para cambiar el tempo del patrón de ritmo seleccionado

Pulse una vez **RHYTHM** mientras se visualiza el patrón de ritmo seleccionado, y luego gire **MULTI JOG** para seleccionar el tempo del ritmo.

El tempo del ritmo puede cambiarse de 90 a 160.



#### Para cambiar el nivel de sonido del patrón de ritmo seleccionado

Pulse dos veces **RHYTHM** mientras se visualiza el patrón de ritmo seleccionado, y luego gire **MULTI JOG** para seleccionar el nivel de sonido.

El nivel de sonido puede cambiarse de 1 a 4.



#### Para cancelar la función de reproducción con patrón de ritmo

Pulse **MULTI JOG**.

#### Para volver a activar la función de reproducción con patrón de ritmo

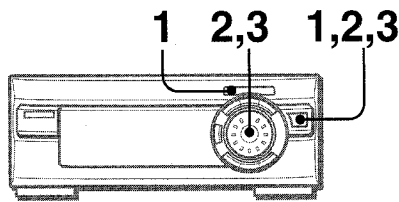
Pulse de nuevo **MULTI JOG**. El patrón de ritmo seleccionado la última vez volverá a activarse.

#### NOTA

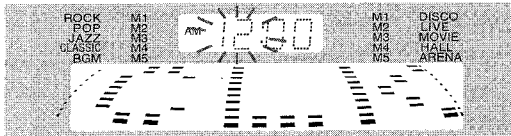
- Cuando se seleccione el patrón GAME, el tempo del ritmo y el nivel de sonido del ritmo no podrán cambiarse.
- La salida de señal procedente de la toma LINE OUT es afectada por la función de reproducción con patrón de ritmo.

Los derechos de autor de estos datos de onda de voz incorporados en este producto son propiedad de Yamaha Corporation, y nosotros tenemos licencia de Yamaha Corporation para poder utilizar tales datos.

## PUESTA EN HORA DEL RELOJ



- 1 Pulse una vez **CLOCK/TIMER** y luego pulse **ENTER** antes de que pasen 6 segundos.



- 2 Gire **MULTI JOG** para designar la hora y luego pulse **ENTER**.

La hora deja de parpadear y empieza a parpadear el minuto.

- 3 Gire **MULTI JOG** para designar el minuto y luego pulse **ENTER**.

El minuto deja de parpadear en el visualizador y el reloj empieza a funcionar desde 00 segundos.

### Para cambiar al modo de 24 horas

Pulse **CLOCK/TIMER** y luego pulse **MULTI JOG** antes de que pasen 6 segundos.

Repita el mismo procedimiento para reponer el modo de 12 horas.

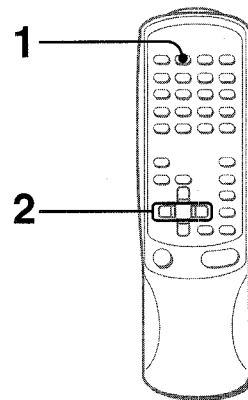
### Si parpadea la visualización del reloj

Esto se deberá a una interrupción en el suministro de alimentación. La hora tendrá que ponerse de nuevo.

Si la alimentación se interrumpe durante más de 24 horas aproximadamente, todos los ajustes almacenados en la memoria después de adquirir la unidad tendrán que ajustarse otra vez.

- También se puede utilizar **CLOCK** en el control remoto en lugar de **CLOCK/TIMER**.
- También se puede utilizar **II SET** en el control remoto en lugar de **ENTER**.
- También se puede utilizar **◀◀** o **▶▶** en el control remoto en lugar de **MULTI JOG**.

## AJUSTE DEL TEMPORIZADOR PARA DORMIR

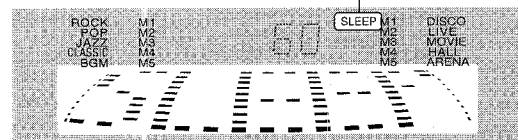


La unidad se podrá apagar automáticamente después de transcurrido un tiempo especificado.

Utilice el control remoto.

- 1 Pulse **SLEEP**.

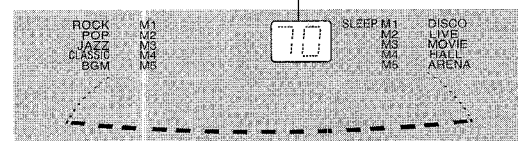
Aparece "SLEEP".



- 2 Antes de que pasen 4 segundos, pulse **◀◀** o **▶▶** para especificar el tiempo tras el cual se desconectará la alimentación.

Cada vez que pulse el botón, el tiempo cambiará entre 5 y 240 minutos en pasos de 5 minutos.

Tiempo especificado



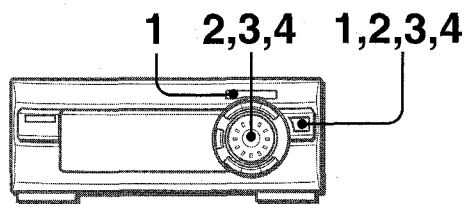
### Para comprobar el tiempo restante hasta que se desconecte la alimentación

Pulse una vez **SLEEP**. El tiempo restante se visualizará durante 4 segundos.

### Para cancelar el temporizador para dormir

Pulse dos veces **SLEEP** para que desaparezca "SLEEP" del visualizador.

# AJUSTE DEL TEMPORIZADOR



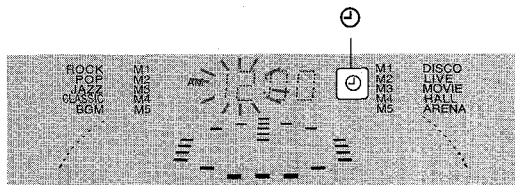
La unidad podrá encenderse a una hora especificada todos los días gracias al temporizador incorporado.

## Preparación

Asegúrese de que la hora del reloj sea correcta.

- 1 Pulse **dos veces** CLOCK/TIMER para visualizar ☉, y luego pulse ENTER antes de que pasen **6 segundos**.

☉ aparecerá y la hora parpadeará.

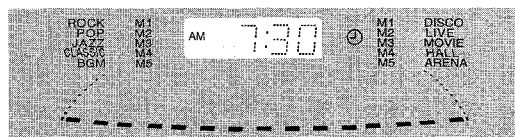


## NOTA

Si pulsa ENTER después de 6 segundos tal vez empiece otra operación.

Cuando utilice el control remoto, pulse **una vez** TIMER para que ☉ aparezca en el visualizador, y luego pulse **II SET** antes de que pasen 6 segundos.

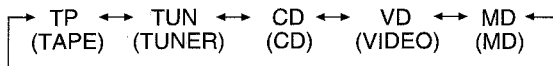
- 2 Diseñe la hora de encendido del temporizador girando MULTI JOG y luego pulse ENTER. Repita lo mismo para designar el minuto de encendido del temporizador.



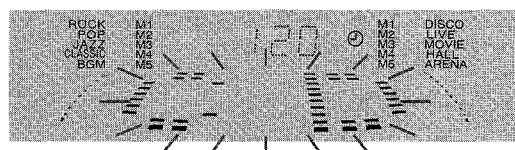
Después de designar la hora de encendido del temporizador, uno de los nombres de las fuentes de sonido parpadeará en el visualizador.

- 3 Gire MULTI JOG para seleccionar una fuente y luego pulse ENTER.

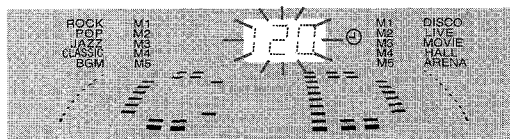
La fuente se visualiza de la forma siguiente.



- Si se selecciona TUNER, la banda no se podrá seleccionar en este paso.



- 4 Seleccione la duración del periodo de reproducción activado por temporizador con MULTI JOG y luego pulse ENTER.



La duración del periodo de reproducción activado por temporizador podrá ajustarse entre 5 y 240 minutos en pasos de 5 minutos.

- 5 Prepare la fuente de sonido.

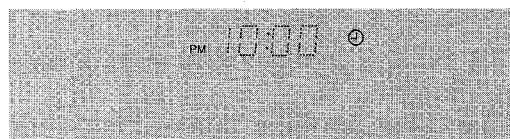
**Para escuchar un disco compacto**, introduzca el disco compacto que vaya a reproducir en primer lugar en la bandeja 1.

**Para escuchar una cinta**, introduzca la cinta en la platina 1 o en la 2.

**Para escuchar la radio**, sintonice una emisora.

- 6 Pulse POWER del receptor estéreo para apagar la unidad después de haber ajustado el volumen y el tono.

☉ permanecerá en el visualizador después de que se desconecte la alimentación (modo de espera del temporizador).



Cuando llegue la hora de encendido del temporizador, la unidad se encenderá y la reproducción empezará con la fuente de sonido seleccionada.

El nivel del sonido se ajusta automáticamente a 20 cuando se desconecta la alimentación estando el nivel ajustado a 21 o más.

## Para comprobar la hora y la fuente de sonido especificadas

Pulse dos veces CLOCK/TIMER (o **una vez** TIMER en el control remoto). La hora de encendido del temporizador, el nombre de la fuente seleccionada y la duración del periodo de reproducción activado por temporizador se visualizarán durante 6 segundos.

## Para cancelar temporalmente el modo de espera del temporizador

Pulse repetidamente CLOCK/TIMER (o TIMER en el control remoto) hasta que ☉ o ☉REC desaparezca del visualizador. Para reponer el modo de espera del temporizador, pulse repetidamente CLOCK/TIMER (o TIMER en el control remoto) para visualizar ☉ o ☉REC.

## Utilización de la unidad mientras esté ajustado el temporizador

Podrá utilizar normalmente la unidad después de ajustar el temporizador.

Antes de desconectar la alimentación, siga el paso 5 para preparar la fuente de sonido y ajuste el volumen y el tono.

## NOTA

- La reproducción y la grabación con temporizador no empezarán si no se desconecta la alimentación.
- El equipo conectado no se podrá encender ni apagar con el temporizador incorporado de esta unidad. Utilice un temporizador externo.

## GRABACION CON TEMPORIZADOR

La grabación con temporizador sólo podrá utilizarse con las fuentes de sonido TUNER y VIDEO/AUX (con un temporizador externo).

Pulse tres veces **CLOCK/TIMER** para que **⊖REC** aparezca en el visualizador y luego pulse **ENTER** antes de que pasen 6 segundos. Realice los pasos de "AJUSTE DEL TEMPORIZADOR" a partir del 2 e inserte la cinta que vaya a grabar en la platina 2 tras el paso 5.

### Cuando se utilice el control remoto

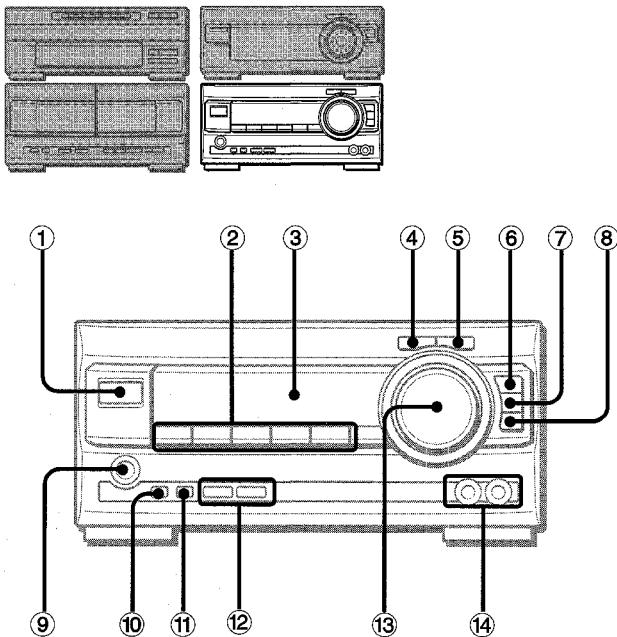
Pulse dos veces **TIMER** para que **⊖REC** aparezca en el visualizador, y luego pulse **■SET** antes de que pasen 6 segundos.

### Para comprobar la hora y la fuente de sonido especificadas

Pulse tres veces **CLOCK/TIMER** (o pulse dos veces **TIMER** en el control remoto). La hora de encendido del temporizador, el nombre de la fuente seleccionada y la duración del periodo de reproducción activado por temporizador se visualizarán durante 6 segundos.

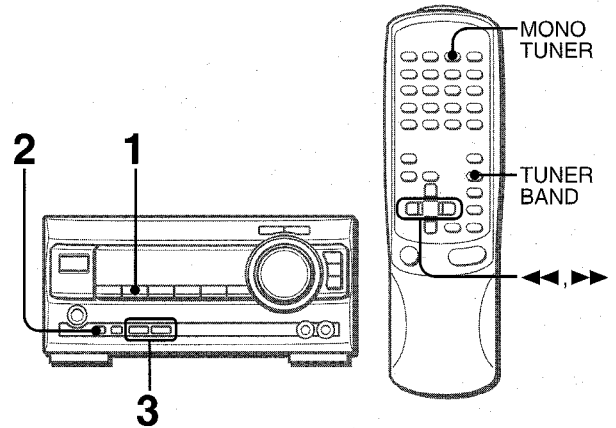
- 
- También se puede utilizar **TIMER** en el control remoto en lugar de **CLOCK/TIMER**.
  - También se puede utilizar **■SET** en el control remoto en lugar de **ENTER**.
  - También se puede utilizar **◀◀** o **▶▶** en el control remoto en lugar de **MULTI JOG**.

INDICE DE LAS PARTES

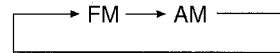


Nombre	Página
1 POWER	6,17,32
2 TAPE DECK1/2	6,24-27
TUNER BAND	6,16,17
VIDEO/AUX	6,30
CD	6,20,28,29
MD	6,30
3 Visualizador	7
4 T-BASS	7
5 BBE	19
6 KARAOKE	18
7 ECHO	18
8 MIC	6
9 PHONES	16,17
10 TUNING/PRESET	17
11 SET	7,16,17
12 ∇, ∆ TUNING/PRESET	7,18
13 VOLUME	18
14 MIC 1,2	

RECEPCION DE LA RADIO

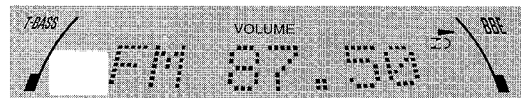


1 Pulse repetidamente TUNER BAND para seleccionar la banda deseada.



La alimentación se conectará directamente cuando se pulse TUNER BAND estando la alimentación desconectada.

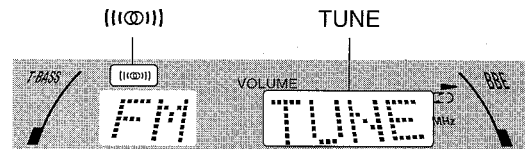
2 Pulse una o dos veces TUNING/PRESET hasta que desaparezca "PRESET NO." del visualizador.



3 Pulse TUNING ∇ o TUNING ∆ para seleccionar una emisora.

Cada vez que pulse el botón, la frecuencia cambiará. Cuando se reciba una emisora, "TUNE" se visualizará durante 2 segundos.

Durante la recepción estéreo por FM se visualizará ((Ⓜ)).



Cuando utilice el control remoto, pulse ◀◀ o ▶▶.

Para buscar rápidamente una emisora (búsqueda automática)

En el paso 3 mantenga pulsado ∇ o ∆ hasta que la frecuencia empiece a cambiar rápidamente. Después de sintonizarse una emisora, la búsqueda parará.

Para detener manualmente la búsqueda automática, pulse ∇ o ∆.

• La búsqueda automática quizá no pare en emisoras cuyas señales sean muy débiles.

Cuando una radiodifusión estéreo por FM tenga ruido

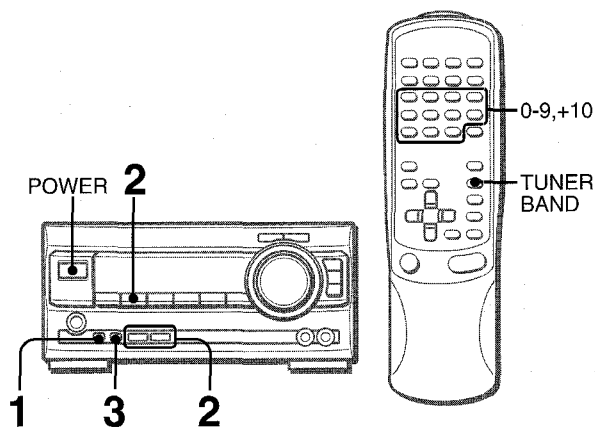
Pulse MONO TUNER del control remoto para que "MONO" aparezca en el visualizador.

El ruido se reducirá, pero la recepción será mono.

Para reponer la recepción estéreo, pulse MONO TUNER para que aparezca "STEREO".

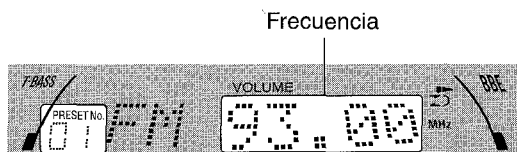


## PREAJUSTE DE EMISORAS



La unidad puede almacenar un total de 32 emisoras de preajuste. Cuando se almacene una emisora, a esa emisora se le asignará un número de preajuste. Utilice el número de preajuste para sintonizar directamente una emisora preajustada.

- 1 Pulse una o dos veces **TUNING/PRESET** para que "PRESET NO." desaparezca del visualizador.
- 2 Pulse **TUNER BAND** para seleccionar una banda y pulse **TUNING**  $\nabla$  o **TUNING**  $\blacktriangle$  para seleccionar una emisora.
- 3 Pulse **SET** para almacenar la emisora.  
A las emisoras de cada banda se les asigna un número de preajuste en orden consecutivo empezando por el 1.



Número de preajuste

### 4 Repita los pasos 1 a 3.

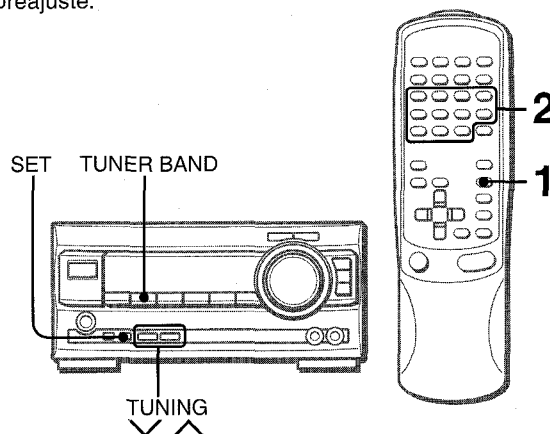
Si ya se ha almacenado un total de 32 emisoras de preajuste de todas las bandas no podrán almacenarse más emisoras.

#### NOTA

Si la alimentación se interrumpe durante más de 24 horas aproximadamente, las emisoras de preajuste almacenadas en la memoria tras adquirir la unidad tendrán que ajustarse de nuevo.

## SINTONIZACION MEDIANTE NUMERO DE PREAJUSTE

Utilice el control remoto para seleccionar directamente el número de preajuste.



### 1 Pulse **TUNER BAND** para seleccionar una banda.

### 2 Pulse los botones numerados 0-9 y +10 para seleccionar un número de preajuste.

"PRESET NO." aparece en el visualizador.

*Ejemplo:*

Para seleccionar el número de preajuste 20, pulse los botones +10, +10 y 0.

Para seleccionar el número de preajuste 15, pulse los botones +10 y 5.

### Selección de un número de preajuste en la unidad principal

- 1 Pulse **TUNER BAND** para seleccionar una banda.
- 2 Pulse repetidamente **TUNING/PRESET** para que "PRESET NO." aparezca en el visualizador.
- 3 Pulse **TUNING**  $\nabla$  o **TUNING**  $\blacktriangle$  para seleccionar una emisora.

### Para borrar una emisora preajustada

Seleccione el número de preajuste de la emisora que vaya a borrar. Luego, pulse **SET**. La frecuencia parpadeará. Pulse de nuevo **SET** antes de que pasen 4 segundos.

Los número de preajuste superiores de todas las demás emisoras de la banda disminuirán también en uno.

### Para cambiar el intervalo de sintonización de AM

El ajuste de fábrica del intervalo de sintonización de AM es de 10 kHz/paso. Si utiliza esta unidad en una zona donde el sistema de asignación de frecuencia sea de 9 kHz/paso, cambie el intervalo de sintonización.

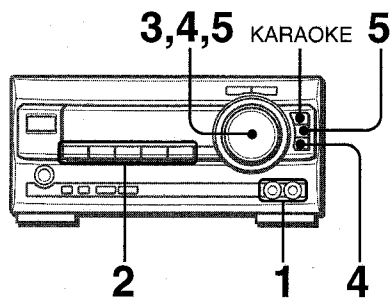
Pulse **POWER** mientras pulsa **TUNER BAND**.

Para reponer el intervalo, repita este procedimiento.

#### NOTA

Cuando se cambie el intervalo de sintonización de AM, todas las emisoras preajustadas se borrarán. Las emisoras de preajuste tendrán que ajustarse de nuevo.

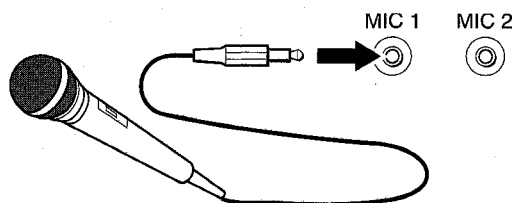
## MEZCLA MICROFONICA (KARAOKE)



A esta unidad podrán conectarse dos micrófonos (no suministrados), permitiéndole cantar con el acompañamiento de fuentes musicales.

Utilice micrófonos con miniclavijas (3,5 mm ø).

### 1 Conecte sus micrófonos a las tomas MIC 1 y MIC 2.



### 2 Pulse uno de los botones de función para seleccionar la fuente que vaya a mezclar y luego reproduzca.

### 3 Ajuste el volumen y el tono de la fuente.

### 4 Pulse MIC y gire VOLUME antes de que pasen 4 segundos para ajustar el volumen del micrófono.

El volumen del micrófono puede seleccionarse de 1 a MAX (7) u OFF (cancelación).

El volumen de ambos micrófonos se ajusta simultáneamente.

### 5 Pulse ECHO y gire VOLUME antes de que pasen 4 segundos para ajustar el nivel del eco.

El nivel del eco puede seleccionarse de 1 a MAX (7) u OFF (cancelación).

### Para cambiar el tiempo de retardo del eco

Mantenga pulsado ECHO mientras el eco está activado.

“ECHO-L” (largo) y “ECHO-M” (medio) se visualizarán alternativamente. Suelte el botón en la posición deseada.

### Para grabar el sonido del micrófono mezclado con el sonido de la fuente

Siga el procedimiento para grabar de la fuente de sonido (consulte la página 26).

SYNC DUB no puede utilizarse para la grabación de la mezcla.

### Cuando no se utilicen los micrófonos

Ponga el volumen de los micrófonos y el nivel del eco en OFF y desconecte los micrófonos de las tomas MIC.

### NOTA

- Cuando se cambie el nivel de MIC o ECHO, el modo SURROUND se cancelará automáticamente.
- Si el micrófono se coloca demasiado cerca de los altavoces podrá producirse un sonido de aullido. En este caso, separe el micrófono de los altavoces o disminuya el volumen del micrófono.
- Si el sonido del micrófono es demasiado alto, éste podrá distorsionarse. En este caso, disminuya el volumen del micrófono.
- Cuando se cambie la función, el volumen del micrófono y el volumen del eco se desactivarán.

### Micrófonos recomendados

Se recomienda utilizar micrófonos tipo unidireccional para evitar el aullido. Póngase en contacto con su concesionario de Aiwa para obtener más detalles.

## FUNCIONES DE DESVANECIMIENTO DE VOZ/MULTIPLEX

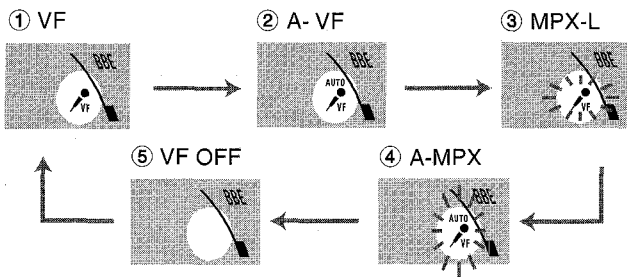
Esta unidad puede utilizar discos o cintas como fuentes de karaoke.

Utilice la función de desvanecimiento de voz para discos o cintas convencionales.

Utilice la función de múltiplex para discos o cintas de audio múltiplex.

**Pulse repetidamente KARAOKE para seleccionar la función de desvanecimiento de voz o de múltiplex.**

Cada vez que se pulse **KARAOKE** se seleccionará cíclicamente una de las funciones siguientes:



### 1 Desvanecimiento de voz (VF)

La voz del cantante se hace más suave que el acompañamiento.

### 2 Desvanecimiento de voz automático (A-VF)

La voz del cantante se hace más suave sólo cuando hay una entrada de audio por un micrófono.

### 3 Múltiplex (MPX-L)

Sólo el sonido del canal izquierdo se oye por ambos altavoces, y el sonido del canal derecho se silencia.

### 4 Múltiplex automático (A-MPX)

El sonido del canal izquierdo se oye por ambos altavoces, y el sonido del canal derecho se silencia sólo cuando se introduce audio por un micrófono.

### 5 Cancelación (VF OFF)

**Para cambiar el ajuste del retardo de tiempo en la función de desvanecimiento de voz automático o de múltiplex automático**

La voz del cantante silenciada podrá reponerse más rápidamente.

Cuando se seleccione el desvanecimiento de voz automático o múltiplex automático, "A-VF" o "A-MPX" se visualizará durante 4 segundos y cambiará al nombre de la función seleccionada. Después de visualizarse el nombre de la función seleccionada, mantenga pulsado **KARAOKE** hasta que se visualice FAST.

Para volver al ajuste inicial, seleccione SLOW.

Cuando se desconecte la alimentación se restaurará SLOW.

**Para cambiar el canal audible en la función múltiplex**

Sólo el sonido del canal derecho podrá oírse desde ambos altavoces.

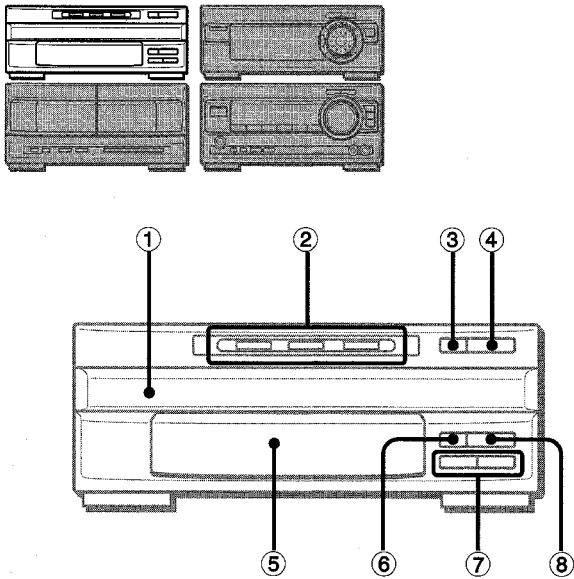
Cuando se seleccione múltiplex, "MPX-L" se visualizará durante 4 segundos y cambiará al nombre de la función seleccionada. Después de visualizarse el nombre de la función seleccionada, mantenga pulsado **KARAOKE** hasta que se visualice "MPX-R". Para volver al ajuste inicial, seleccione "MPX-L".

Cuando se desconecte la alimentación se repondrá "MPX-L".

## NOTA

- Las funciones de karaoke tal vez no funcionen correctamente con las clases de discos compactos o cintas siguientes:
  - Discos o cintas con sonido mono
  - Discos o cintas grabados con ecos fuertes
  - Discos o cintas con la parte vocal grabada en el lado derecho o izquierdo del sonido.
- Mientras la función de karaoke esté activada, la salida de sonido será mono.
- Cuando se cambie la función, la función de karaoke se cancelará.

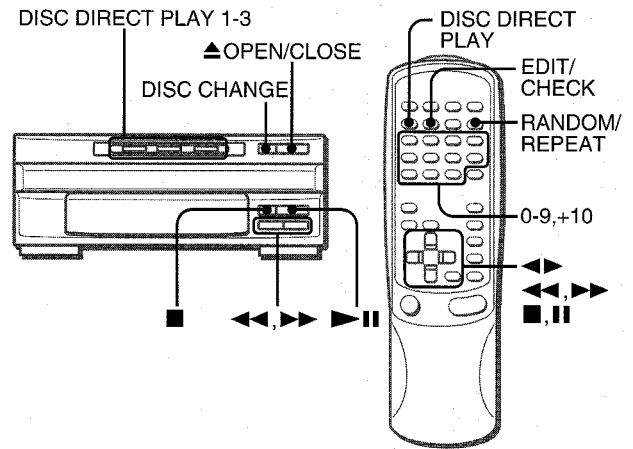
INDICE DE PARTES



Nombre	Página
1 Compartimiento de discos	
2 DISC DIRECT PLAY 1-3	21,28,29
3 DISC CHANGE	20,21
4 ▲OPEN/CLOSE	20,21
5 Visualizador	
6 ■STOP	21,23
7 ◀◀, ▶▶ SKIP/SEARCH	21,23
8 ▶  PLAY/PAUSE	21,22

REPRODUCCION DE DISCOS COMPACTOS

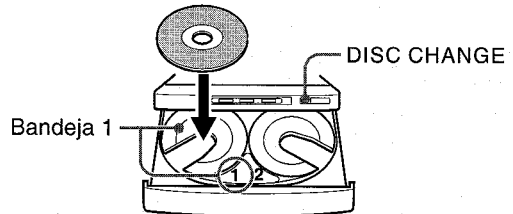
INTRODUCCION DE DISCOS



Pulse CD y luego pulse ▲OPEN/CLOSE para abrir el compartimiento de los discos. Introduzca el(los) disco(s) con el lado de la etiqueta hacia arriba.

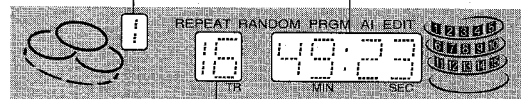
Para reproducir uno o dos discos, ponga los discos en las bandejas 1 y 2.

Para reproducir tres discos, pulse DISC CHANGE para hacer girar las bandejas después de colocar dos discos. Ponga luego el tercer disco en la bandeja 3. Cierre el compartimiento de los discos pulsando ▲OPEN/CLOSE.



Número de la bandeja del disco que va a ser reproducido

Tiempo de reproducción total



Número total de canciones

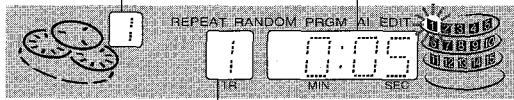
## REPRODUCCION DE DISCOS

Introduzca los discos.

**Para reproducir todos los discos del compartimiento, pulse ►||PLAY/PAUSE (o ◀▶PLAY en el control remoto).**

La reproducción empezará por el disco de la bandeja 1.

Número del disco que está siendo reproducido      Tiempo de reproducción transcurrido

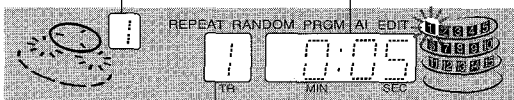


Número de la canción que está siendo reproducida

**Para reproducir un disco solamente, pulse DISC DIRECT PLAY 1-3.**

El disco seleccionado se reproducirá una vez.

Número del disco seleccionado      Tiempo de reproducción transcurrido



Número de la canción que está siendo reproducida

- Cuando se pulse una vez más el botón seleccionado, todos los discos del compartimiento de discos se reproducirán continuamente una vez más.

**Para empezar a reproducir con el control remoto**

Pulse **DISC DIRECT PLAY** y luego pulse los botones numerados **1-3** antes de que pasen 3 segundos para seleccionar un disco.

**Para detener la reproducción, pulse ■STOP (o ■CLEAR en el control remoto).**

**Para hacer una pausa en la reproducción, pulse ►||PLAY/PAUSE (o ||SET en el control remoto).** Para reanudar la reproducción, púlselo de nuevo.

**Para buscar un punto particular durante la reproducción,** mantenga pulsado ◀◀ o ▶▶ y suéltelo en el punto deseado.

**Para saltar hasta el principio de una canción durante la reproducción,** pulse repetidamente ◀◀ o ▶▶.

**Para quitar discos,** pulse ▲OPEN/CLOSE.

**Para iniciar la reproducción cuando la alimentación esté desconectada (función de reproducción directa)**

Pulse **CD** del receptor estéreo. La alimentación se conectará y la reproducción del(de los) disco(s) introducido(s) empezará.

La alimentación se conectará también, y el compartimiento de los discos se abrirá, cuando se pulse ▲OPEN/CLOSE o **DISC CHANGE**.

**Para comprobar el tiempo restante**

Pulse el botón **EDIT/CHECK** del control remoto durante la reproducción. El tiempo restante hasta que todas las canciones del disco terminen de reproducirse se visualizará. Para reponer la visualización del tiempo de reproducción, repita el procedimiento de arriba.

**Selección de una canción con el control remoto**

**1** Pulse **DISC DIRECT PLAY** y luego pulse los botones numerados **1-3** antes de que pasen 3 segundos para seleccionar un disco.

**2** Pulse los botones numerados **0-9** y **+10** para seleccionar una canción.

Ejemplo:

Para seleccionar la canción número 25, pulse **+10, +10 y 5**.

Para seleccionar la canción número 10, pulse **+10 y 0**.

La canción seleccionada empezará a reproducirse y la reproducción continuará hasta el final de ese disco.

**Reemplazo de discos durante la reproducción**

Mientras se reproduzca un disco, los otros discos podrán reemplazarse sin interrumpir la reproducción.

**1** Pulse **DISC CHANGE**.

**2** Quite los discos y ponga otros.

**3** Pulse ▲OPEN/CLOSE para cerrar el compartimiento de los discos.

### NOTA

- Cuando introduzca un disco de 8 cm, póngalo en el círculo interior de la bandeja.
- No ponga más de un disco compacto en una misma bandeja.
- No incline la unidad habiendo discos introducidos. Hacer esto puede causar fallos en el funcionamiento.
- No utilice discos compactos de formas irregulares (por ejemplo: de forma de corazón, octagonales, etc.). Esto puede causar fallos en el funcionamiento.

## REPRODUCCION ALEATORIA/REPETICION DE REPRODUCCION

Utilice el control remoto.

**Reproducción aleatoria**

Todas las canciones del disco seleccionado o de todos los discos podrán reproducirse aleatoriamente.

**Repetición de reproducción**

Un solo disco o todos ellos podrán reproducirse repetidamente.

**Pulse RANDOM/REPEAT del control remoto.**

Cada vez que lo pulse, la función podrá ser seleccionada cíclicamente.

**Reproducción aleatoria** — "RANDOM" queda resaltado en el visualizador.

**Repetición de reproducción** — "REPEAT" queda resaltado en el visualizador.

**Reproducción aleatoria/repetición de reproducción** — "RANDOM" y "REPEAT" quedan rodeados en el visualizador.

**Cancelación** — Los indicadores resaltados "RANDOM" y "REPEAT" desaparecen del visualizador.

**Para reproducir todos los discos,** pulse ◀▶PLAY (o ►||PLAY/PAUSE en el reproductor de discos compactos) para iniciar la reproducción.

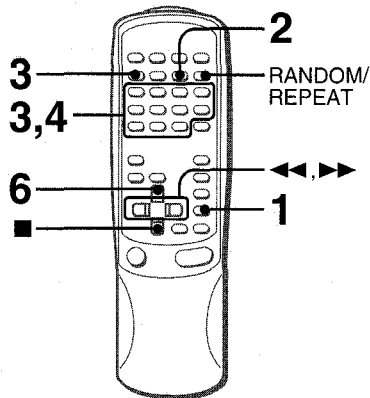
**Para reproducir un solo disco,** pulse **DISC DIRECT PLAY** y los botones numerados **1-3** antes de que pasen 3 segundos (o **DISC DIRECT PLAY 1-3** del reproductor de discos compactos) para seleccionar un disco.

### NOTA

Durante la reproducción aleatoria no será posible saltar a la canción reproducida previamente con ◀◀.

# REPRODUCCION PROGRAMADA

Se podrá programar un máximo de 30 canciones de cualquiera de los discos insertados.



Utilice el control remoto.

- 1 Pulse CD e inserte los discos.**
- 2 Pulse dos veces PRGM en el modo de parada.**  
"PRGM" queda resaltado.



- Cuando se pulse una vez **PRGM** en el paso 1, la unidad se pondrá en el modo de PROGRAMA DE KARAOKE (consulte la página 23).

- 3 Pulse DISC DIRECT PLAY, y luego pulse uno de los botones numerados 1-3 antes de que pasen 3 segundos para seleccionar un disco.**

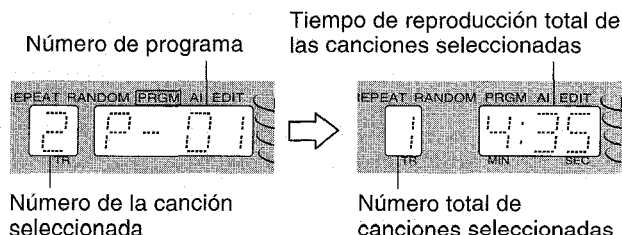
Vaya al paso siguiente cuando la bandeja deje de girar.

- 4 Pulse los botones numerados 0-9 y +10 para programar una canción.**

Ejemplo:

Para seleccionar la canción número 25, pulse los botones +10, +10 y 5.

Para seleccionar la canción número 10, pulse los botones +10 y 0.



- 5 Repita los pasos 3 y 4 para programar otras canciones.**

- 6 Pulse ◀▶ (o ▶▶ IIPLAY/PAUSE del reproductor de discos compactos) para iniciar la reproducción.**

## Para comprobar el programa

Cada vez que se pulse ◀◀ o ▶▶ en el modo de parada se visualizará un número de disco, un número de canción y un número de programa.

## Para borrar el programa

Pulse el botón ■STOP (o ■CLEAR en el control remoto) en el modo de parada.

## Para añadir canciones al programa

Repita los pasos 3 y 4 en el modo de parada. La canción se programará después de la última canción programada.

## Para cambiar las canciones programadas

Borre el programa y repita todos los pasos.

## Para reproducir repetidamente las canciones programadas

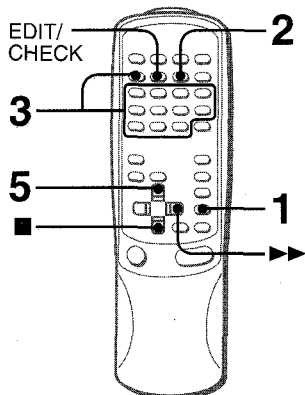
Después de programar las canciones, pulse **RANDOM/REPEAT**. "REPEAT" queda resaltado en el visualizador.

## NOTA

Durante la reproducción programada, usted no podrá utilizar la reproducción aleatoria, comprobar el tiempo restante ni la selección de un disco o canción.

# PROGRAMA DE KARAOKE

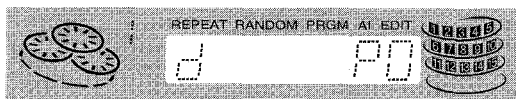
Antes o durante la reproducción de discos compactos, usted podrá reservar un máximo de 15 canciones para reproducirlas después de la canción actual. Cada reserva se borrará cuando termine de reproducirse la canción.



Utilice el control remoto.

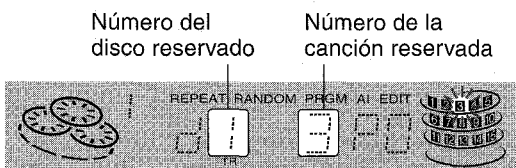
**1** Pulse **CD** e introduzca los discos en el reproductor de discos compactos.

**2** Pulse una vez **PRGM** en el modo de parada.



**3** Pulse **DISC DIRECT PLAY**, y luego pulse los botones numerados 1-3 antes de que pasen 3 segundos para seleccionar un disco.

Luego, pulse los botones numerados 0-9 y +10 para programar una canción.



Número del disco reservado

Número de la canción reservada

**4** Repita el paso 3 para reservar otras canciones.

**5** Pulse **◀▶** (o **▶▶** en el reproductor de discos compactos) para iniciar la reproducción.

Después de reproducirse una canción, ésta se borra del programa.



Número de disco de la última reserva

Número de canciones reservadas restantes

Número de pista de la última reserva

**Para añadir una reserva durante la reproducción**

Repita el paso 3.

**Para comprobar las canciones reservadas**

Pulse repetidamente **EDIT/CHECK**. Cada vez que lo pulse, el número del disco y el número de la canción se visualizarán en el orden reservado.

**Para detener la reproducción**

Pulse **■ STOP** (o **■ CLEAR** en el control remoto).

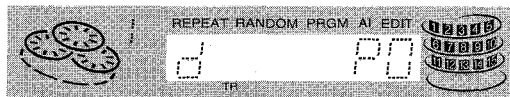
Cuando se pulse **◀▶** (o **▶▶** en el reproductor de discos compactos) para reiniciar, la reproducción se volverá a reproducir la canción que fue reproducida en último lugar.

**Para saltar una canción**

Pulse **▶▶**. La canción saltada se borrará del programa.

**Para borrar todas las reservas**

Pulse repetidamente **▶▶** hasta que se visualice "d P0".



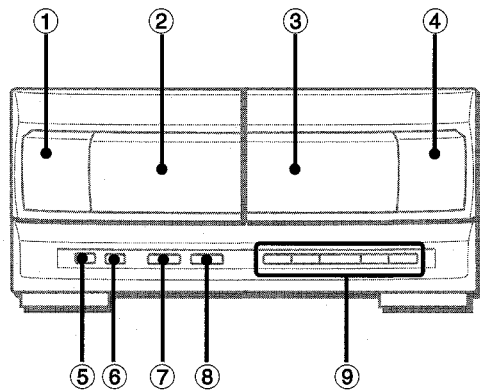
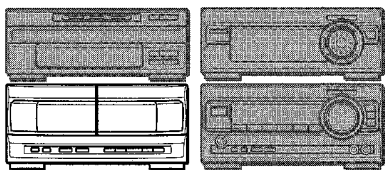
Púselo una vez más para cancelar los programas de karaoke. La visualización volverá a ser la de la reproducción de discos compactos.

## NOTA

- Si el número de la canción reservada no existe en el disco seleccionado, la unidad parará la reproducción y la visualización parpadeará. En este caso, pulse **▶▶** para omitir esa canción. Luego pulse **◀▶** (o **▶▶** en el reproductor de discos compactos) para iniciar la reproducción con la próxima canción reservada.
- Cuando se pulse repetidamente **PRGM** en el paso 2, **PRGM** resaltará y la unidad se pondrá en el modo de reproducción programada de discos compactos (página 22). Para cancelar la reproducción programada, pulse **■ STOP** (o **■ CLEAR** en el control remoto).

Para utilizar micrófonos y la función karaoke, consulte "MEZCLA MICROFONICA (KARAOKE)" en la página 18.

## INDICE DE PARTES

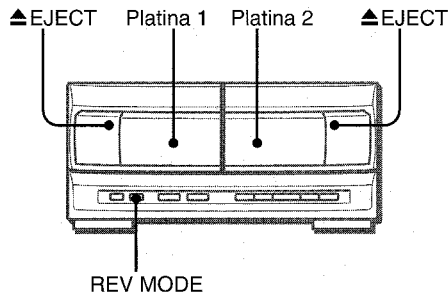


Nombre	Página
① ▲EJECT (para la platina 1)	
② Platina 1	
③ Platina 2	
④ ▲EJECT (para la platina 2)	
⑤ DOLBY NR	25-29
⑥ REV MODE (DECK 2)	24-26
⑦ SYNC DUB NORM/HIGH	27
⑧ ● REC/REC MUTE	26-29
⑨    PAUSE	25,26
◀▶ IMS	25
▶▶ PLAY/DIR	25
■ STOP	25-29

La información de la visualización de las platinas de casete se muestra en el visualizador del receptor estéreo.

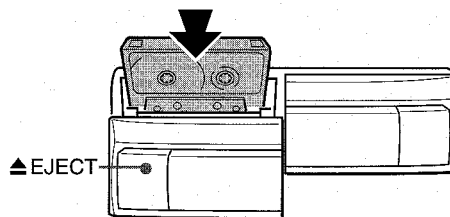
## REPRODUCCION DE CINTAS

### INSERCIÓN DE CINTAS



- En la platina 1, las cintas se reproducen siempre por ambas caras.
- En la platina 2, podrá seleccionar un modo de inversión para reproducir una o dos caras.
- Utilice cintas tipo I (normal), tipo II (alta polarización/CrO<sub>2</sub>) o tipo IV (metal) para la reproducción.

Pulse ▲EJECT para abrir el portacasete.



Inserte un casete de cinta con el lado por donde se ve la cinta hacia abajo. Empuje el portacasete para cerrarlo.

Para seleccionar un modo de inversión (platina 2 solamente)

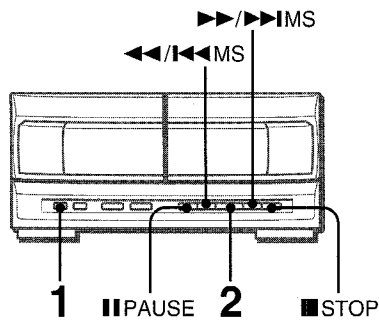
Cada vez que pulse REV MODE, el modo de inversión cambiará.



- Para reproducir una cara solamente, seleccione I.
- Para reproducir de la cara delantera a la trasera una vez solamente, seleccione II.
- Para reproducir ambas caras repetidamente, seleccione III.
- Cuando haya cintas introducidas en ambas platinas, el indicador III del visualizador indicará la reproducción continua.



## REPRODUCCION DE UNA CINTA



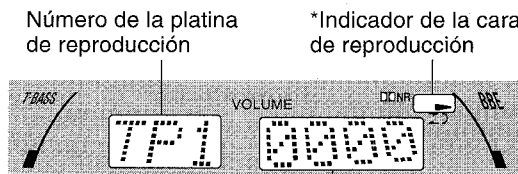
Inserte una cinta.

**1 Pulse DOLBY NR y active o desactive Dolby NR según el modo empleado en la cinta de reproducción.**



Para cintas grabadas con DOLBY NR, encienda **NR**.  
Para cintas grabadas sin DOLBY NR, apague **NR**.

**2 Pulse  $\blacktriangleleft$ PLAY/DIR para iniciar la reproducción.**



El contador de cinta indica el movimiento de la cinta.

\*Indicador de la cara de reproducción

- $\blacktriangleright$ : La cara que queda hacia adelante (cara delantera) está siendo reproducida.
- $\blacktriangleleft$ : La cara que queda hacia atrás (cara trasera) está siendo reproducida.

**Para empezar a reproducir con el control remoto**

Pulse primero **TAPE** en el receptor estéreo o en el mando a distancia. Luego, pulse  $\blacktriangleleft$ PLAY en el control remoto para iniciar la reproducción.

**Cuando haya cintas introducidas en ambas platinas**

Pulse primero **TAPE** para seleccionar una platina. El número de la platina seleccionada se visualizará.

**Para detener la reproducción,** pulse **STOP** (o **CLEAR** en el control remoto).

**Para hacer una pausa en la reproducción,** pulse **PAUSE** (o **SET** en el control remoto). Para reanudar la reproducción, púlselo de nuevo.

**Para cambiar la cara de reproducción,** pulse  $\blacktriangleleft$ PLAY/DIR en el modo de reproducción o de pausa.

**Para avanzar rápidamente o rebobinar,** pulse  $\blacktriangleleft$ MS o  $\blacktriangleright$ MS. Luego pulse **STOP** (o **CLEAR** en el control remoto) para detener la cinta.

**Para iniciar la reproducción cuando la alimentación esté desconectada (función de reproducción directa)**

Pulse **TAPE** en el receptor estéreo. La alimentación se conectará y la reproducción de la cinta insertada empezará.

**Para poner el contador de cinta a 0000**

Pulse **STOP** (o **CLEAR** en el control remoto) en el modo de parada.

El contador también se pondrá a 0000 cuando se abra y cierre el portacasete.

## SENSOR MUSICAL

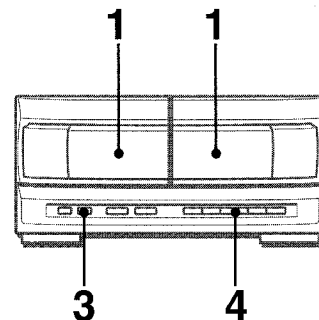
Si hay un espacio sin grabar de 4 segundos o más entre cada canción, la búsqueda del principio de la canción actual o de la siguiente canción podrá realizarse fácilmente.

Pulse  $\blacktriangleleft$ MS o  $\blacktriangleright$ MS durante la reproducción consultando el indicador de la cara de reproducción ( $\blacktriangleleft$  o  $\blacktriangleright$ ) en el visualizador. Por ejemplo, cuando pulse  $\blacktriangleright$ MS mientras se visualice  $\blacktriangleright$ , empezará a reproducirse la siguiente canción.

La función del sensor musical tal vez no pueda detectar las canciones bajo las condiciones siguientes:

- Espacios sin grabar de menos de 4 segundos entre canciones
- Espacios sin grabar que tengan ruidos
- Pasajes largos con un sonido muy bajo
- Niveles de grabación bajos en general

## REPRODUCCION CONTINUA



Una vez terminada la reproducción en una platina, la cinta de la otra platina empezará a reproducirse sin interrupción.

**1 Inserte cintas en las platinas 1 y 2.**

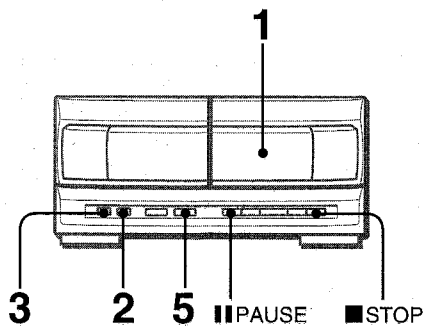
**2 Pulse TAPE del receptor estéreo para seleccionar la platina que va a realizar la reproducción en primer lugar.**

**3 Pulse REV MODE para seleccionar  $\curvearrowright$ .**

**4 Pulse  $\blacktriangleleft$ PLAY/DIR para iniciar la reproducción.** La reproducción continuará hasta que se pulse **STOP**.

## GRABACION BASICA

Esta sección explica cómo grabar del sintonizador, del reproductor de discos compactos o de un equipo exterior.

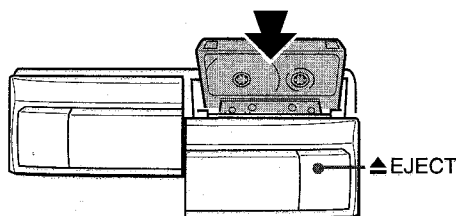


### Preparación

- Utilice cintas tipo I (normales) y tipo II (alta polarización/CrO<sub>2</sub>) para la grabación.
- Ponga la cinta en el punto donde vaya a empezar la grabación.

### 1 Inserte la cinta que vaya a grabar en la platina 2.

Inserte la cinta con la cara que vaya a grabar en primer lugar hacia afuera de la unidad.



### 2 Pulse REV MODE para seleccionar el modo de inversión.

Para grabar en una cara solamente, seleccione  $\overline{\text{I}}$ .  
Para grabar en ambas caras, seleccione  $\overline{\text{II}}$  o  $\overline{\text{III}}$ .

### 3 Pulse DOLBY NR para activar o desactivar Dolby NR.

Para grabar con DOLBY NR, encienda  $\overline{\text{DNR}}$ .  
Para grabar sin DOLBY NR, apague  $\overline{\text{DNR}}$ .

### 4 Pulse uno de los botones de función en el receptor estéreo (CD, TUNER, VIDEO/AUX o MD) y prepare la fuente que vaya a grabar.

Para grabar de un disco compacto, pulse CD e introduzca el(los) disco(s) compacto(s).

Para grabar una radiodifusión, pulse TUNER y sintonice una emisora.

Para grabar de una fuente de sonido conectada, pulse VIDEO/AUX o MD.

### 5 Pulse ●REC/REC MUTE para iniciar la grabación.

Cuando la función seleccionada sea CD, la reproducción y la grabación empezarán simultáneamente.

Para detener la grabación, pulse ■STOP (o ■CLEAR en el control remoto).

Para hacer una pausa en la grabación, pulse II PAUSE (o II SET en el control remoto). Para reanudar la grabación, púlselo de nuevo.

### Ajuste del sonido durante la grabación

El volumen de salida y el tono (excepto BBE y la función de reproducción con patrón de ritmo) de los altavoces o auriculares podrán cambiarse libremente sin afectar en absoluto a la grabación.

## INSERCIÓN DE ESPACIOS SIN GRABAR

La inserción de espacios sin grabar de 4 segundos le permite activar la función del sensor musical.

### 1 Pulse ●REC/REC MUTE durante la grabación o en el modo de pausa de grabación.

El indicador de ●REC/REC MUTE parpadeará durante 4 segundos y la cinta avanzará sin grabarse. Después de 4 segundos, la platina entrará en el modo de pausa de grabación.

### 2 Pulse II PAUSE para reanudar la grabación.

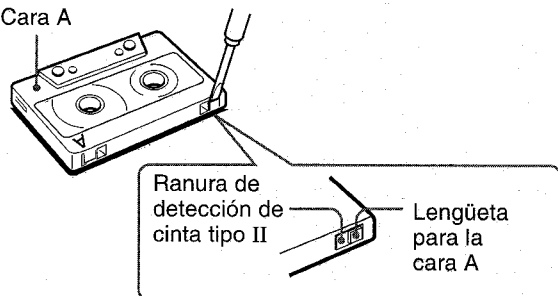
Para insertar un espacio sin grabar de menos de 4 segundos, pulse de nuevo ●REC/REC MUTE mientras parpadea el indicador de ●REC/REC MUTE.

Para insertar espacios sin grabar de más de 4 segundos, después de que la platina entre en el modo de pausa de grabación, pulse de nuevo ●REC/REC MUTE. Cada vez que pulse el botón se añadirá un espacio sin grabar de 4 segundos.

### Acerca de las cintas de cassette

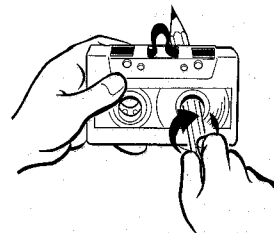
- Para evitar el borrado accidental, rompa con un destornillador u otra herramienta puntiaguda las lengüetas de plástico del casete después de grabar.

Cara A



Para volver a grabar en la cinta, tape las aberturas con cinta adhesiva, etc. (En cintas tipo II, tenga cuidado para no tapar la ranura de detección de cinta tipo II.)

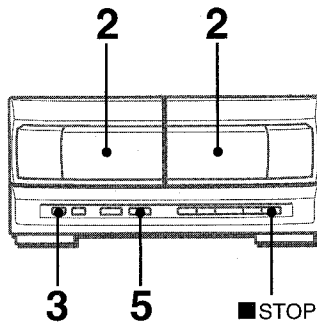
- Las cintas de 120 minutos o más son extremadamente finas y se deforman o estropean fácilmente. No son recomendadas.
- Tense la cinta con un lapicero o herramienta similar antes de utilizarla. La cinta floja podrá romperse o atascarse en el mecanismo.



### Sistema DOLBY NR

El sistema de reducción de ruido Dolby reduce el silbido de la cinta. Encienda el sistema DOLBY NR para obtener un rendimiento óptimo cuando reproduzca una cinta grabada con el sistema DOLBY NR.

## COPIADO MANUAL DE UNA CINTA



### NOTA

- Ponga la cinta en el punto donde vaya a empezar la grabación.
- El modo de inversión se pone automáticamente en  $\Sigma$ .  
Tenga en cuenta que la grabación se realizará en una sola cara de la cinta.

**1 Pulse TAPE del receptor estéreo.**

**2 Inserte la cinta original en la platina 1 y la cinta que vaya a grabar en la platina 2.**

Inserte las cintas con las caras que vaya a reproducir o grabar hacia afuera de la unidad.

**3 Pulse DOLBY NR para desactivar Dolby NR.**

NR se apagará en el visualizador del receptor estéreo.

**4 Pulse TAPE del receptor estéreo para seleccionar la platina 1.**

Se visualizará "TP 1".

**5 Pulse ●REC/REC MUTE para iniciar la grabación.**

La reproducción y la grabación empezarán simultáneamente.

### Para detener el copiado

Pulse ■STOP (o ■CLEAR en el control remoto).

### Para establecer Dolby NR cuando se reproduzca una cinta copiada

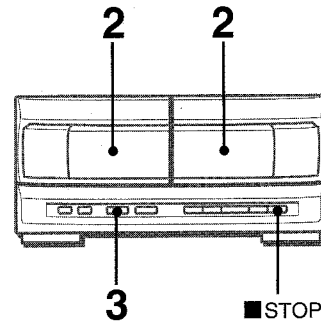
Pulse DOLBY NR y active o desactive Dolby NR según la cinta original.

### Para borrar una grabación

Asegúrese de que el micrófono no esté conectado a esta unidad y de que la función de reproducción con patrón de ritmo (página 12) esté cancelada.

- 1 Inserte la cinta que vaya a borrar en la platina 2 y pulse TAPE del receptor estéreo para visualizar "TP 2".
- 2 Ponga la cinta en el punto donde vaya a empezar a borrar.
- 3 Ponga el modo de inversión pulsando REV MODE.
- 4 Pulse ●REC/REC MUTE para iniciar el borrado.

## COPIADO DE TODA LA CINTA



Esta función le permitirá hacer copias exactas de ambas caras de la cinta original. La cara trasera de ambas cintas empezará automáticamente tan pronto como termine de invertirse la cinta más larga.

### NOTA

- El copiado no empieza desde un punto ubicado en medio de la cinta.
- El modo de inversión se ajusta automáticamente a  $\Sigma$ .
- Dolby NR no afecta a la grabación.

**1 Pulse TAPE del receptor estéreo.**

**2 Inserte la cinta original en la platina 1 y la cinta que vaya a grabar en la platina 2.**

Inserte cada cinta con la cara que vaya a ser reproducida o grabada hacia afuera de la unidad.

**3 Pulse una o dos veces SYNC DUB para iniciar la grabación.**

① Para grabar a la velocidad normal, púlselo una vez para visualizar NORM-DUB.

② Para grabar a alta velocidad, púlselo dos veces para visualizar HIGH-DUB.

①



②



Las cintas se rebobinarán hasta el principio de las caras delanteras y empezará la grabación.

### Para detener el copiado

Pulse ■STOP (o ■CLEAR en el control remoto).

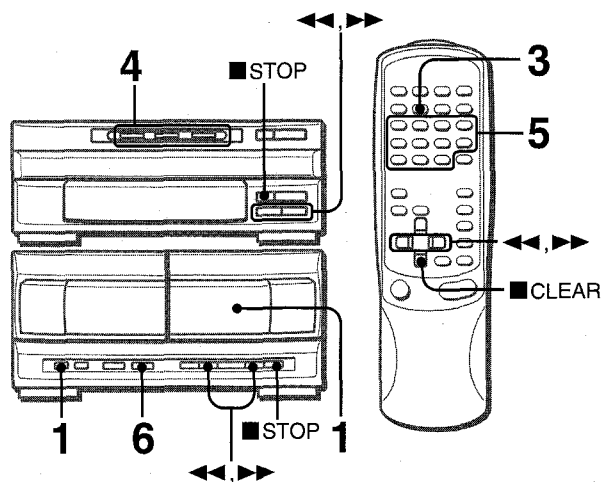
### Para establecer Dolby NR cuando reproduzca la cinta copiada

Pulse DOLBY NR y active o desactive Dolby NR según la cinta original.

### NOTA

La grabación no empezará si las lengüetas de prevención de borrado de ambas caras de la cinta que va a ser grabada están rotas.

## GRABACION CON EDICION AI



La función de grabación con edición AI permite grabar discos compactos sin tener que preocuparse por la duración de la cinta y la duración de las canciones. Cuando se inserte un disco compacto, la unidad calculará automáticamente la duración total de las canciones. En caso de ser necesario, el orden de las canciones podrá cambiarse para que ninguna canción quede interrumpida.

(AI: Inteligencia Artificial)

### NOTA

La grabación con edición AI no empezará desde un punto que se encuentre en medio de la cinta. La cinta deberá grabarse desde el principio de cada cara.

#### 1 Inserte la cinta en la platina 2 y pulse DOLBY NR para activar o desactivar Dolby NR.

Inserte la cinta con la cara que vaya a grabar en primer lugar hacia afuera de la unidad.

#### 2 Pulse CD en el receptor estéreo e introduzca el(los) disco(s).

#### 3 Pulse una vez EDIT/CHECK en el control remoto. "EDIT" y "AI" quedarán resaltados.



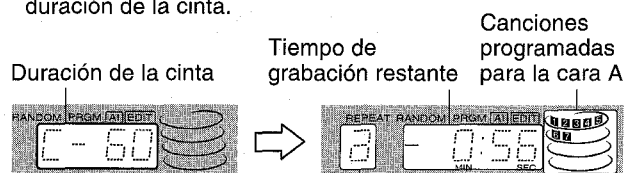
• Cuando quede resaltado "PRGM", pulse de nuevo EDIT/CHECK.

#### 4 Pulse DISC DIRECT PLAY 1-3 para seleccionar un disco.

#### 5 Pulse los botones numerados 0-9 del control remoto para designar la duración de la cinta.

Se puede especificar una duración de 10 a 99 minutos. Ejemplo: Cuando utilice una cinta de 60 minutos, pulse 6 y 0. En unos pocos segundos se determinarán las canciones que vayan a ser grabadas en cada cara de la cinta.

• <<<, >>> también se pueden utilizar para designar la duración de la cinta.



Cara de la cinta  
a: Primera cara de grabación (cara A)  
b: Segunda cara de grabación (cara B)

#### 6 Pulse ● REC/REC MUTE para iniciar la grabación en la primera cara.

La cinta se rebobinará hasta el principio de la cara delantera, el segmento guía avanzará durante 10 segundos y la grabación empezará. Cuando termine de grabarse la cara delantera (cara A) empezará a grabarse la cara trasera (cara B).

#### Para detener la grabación

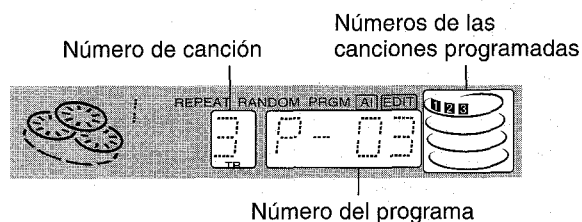
Pulse ■ STOP en la platina de cassette o en el reproductor de discos compactos (o ■ CLEAR en el control remoto). La grabación y la reproducción del disco compacto pararán simultáneamente.

#### Para borrar el programa de edición

Pulse dos veces ■ STOP en el reproductor de discos compactos (o dos veces ■ CLEAR en el control remoto) en el modo de parada para que el indicador resaltado "EDIT" desaparezca del visualizador.

#### Para comprobar el orden de los números de las canciones programadas

Antes de grabar, pulse EDIT/CHECK del control remoto para seleccionar una cara, y pulse repetidamente <<< o >>> del reproductor de discos compactos.



#### Para añadir canciones de otros discos al programa de edición

Si queda tiempo en la cinta después del paso 5, usted podrá añadir canciones de otros discos que se encuentren en el compartimiento de los discos compactos.

- 1 Pulse EDIT/CHECK del control remoto para seleccionar una cara.
- 2 Pulse DISC DIRECT PLAY 1-3 para seleccionar un disco.
- 3 Pulse los botones numerados del control remoto para seleccionar canciones. Una canción cuyo tiempo de reproducción sea superior al tiempo restante no podrá ser programada.
- 4 Repita los pasos 2 y 3 para añadir más canciones.

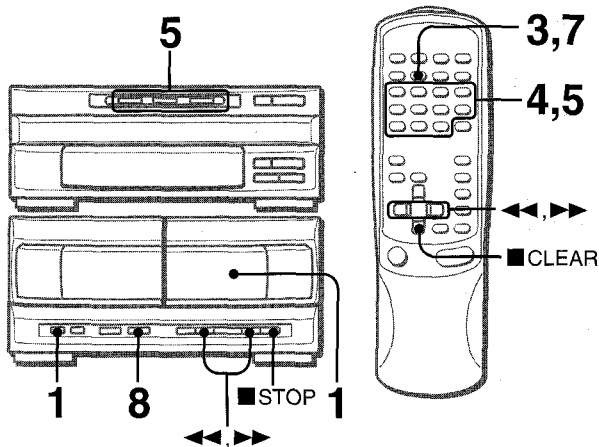
#### Tiempo de las cintas de cassette y tiempo de edición

El tiempo real de grabación de los cassetes es por lo general un poco más largo que el tiempo de grabación especificado en sus etiquetas. Esta unidad puede programar las canciones para utilizar ese tiempo extra. Cuando el tiempo de grabación total sea un poco más largo que el tiempo de grabación especificado de la cinta, después de la edición, el visualizador mostrará el tiempo extra (sin un signo menos) en lugar del tiempo restante de la cinta (con el signo menos).

### NOTA

- La función de edición AI no se podrá utilizar con discos que tengan 31 canciones o más.
- La grabación resulta imposible si está rota la lengüeta de prevención de borrado de ambas caras de la cinta.

## GRABACION CON EDICION PROGRAMADA



En la función de grabación con edición programada, las canciones pueden ser programadas mientras se comprueba el tiempo restante de cada cara de la cinta según se programan las canciones.

### NOTA

La grabación con edición programada no empezará desde un punto ubicado en medio de la cinta. La cinta deberá grabarse desde el principio de una de las caras.

#### 1 Inserte la cinta en la platina 2 y pulse DOLBY NR para activar o desactivar Dolby NR.

Inserte la cinta con la cara que vaya a grabar en primer lugar hacia afuera de la unidad.

#### 2 Pulse CD en el receptor estéreo e introduzca el(los) disco(s).

#### 3 Pulse dos veces EDIT/CHECK en el control remoto.

"EDIT" y "PRGM" quedarán resaltados.

- Cuando "AI" esté resaltado, pulse de nuevo EDIT/CHECK.

#### 4 Pulse los botones numerados del control remoto para designar la duración de la cinta.

Se puede especificar una duración de 10 a 99 minutos.

- ◀◀, ▶▶ también se pueden utilizar para designar la duración de la cinta.



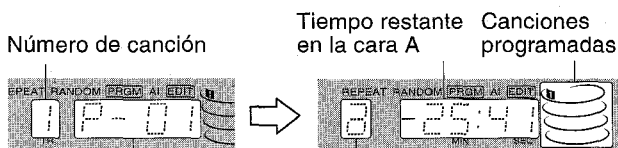
Duración de la cinta

Máximo tiempo de grabación para la cara A

#### 5 Pulse DISC DIRECT PLAY 1-3 para seleccionar un disco.

#### Luego, pulse los botones numerados 0-9 y +10 en el control remoto para programar una canción.

Ejemplo: Para seleccionar la canción 10 del disco 2, pulse DISC DIRECT PLAY 2 y luego pulse +10 y 0.



Número de programa

Cara de la cinta  
a: Primera cara de grabación (cara A)  
b: Segunda cara de grabación (cara B)

#### 6 Repita el paso 5 para el resto de las canciones para la cara A.

Una canción cuyo tiempo de reproducción sea superior al tiempo restante no podrá ser programada.

#### 7 Pulse EDIT/CHECK en el control remoto para seleccionar la cara B y programe las canciones para esta cara.

Después de confirmar que "b" aparezca en el visualizador, repita el paso 5.



#### 8 Pulse ● REC/REC MUTE para iniciar la grabación.

La cinta se rebobinará hasta el principio de la cara delantera, el segmento guía avanzará durante 10 segundos y la grabación empezará. Cuando termine la grabación de la cara delantera (A) empezará la grabación de la cara trasera (B).

#### Para detener la grabación

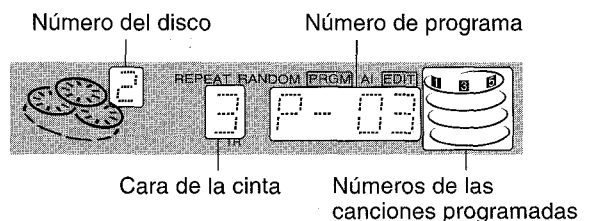
Pulse ■ STOP en la platina de cassette o en el reproductor de discos compacto ( o ■ CLEAR en el control remoto ). La grabación del disco compacto se pararán simultáneamente.

#### Para borrar el programa de edición

Pulse dos veces ■ STOP en el reproductor de discos compactos (o dos veces ■ CLEAR en el control remoto) en el modo de parada para que el indicador resaltado "EDIT" desaparezca del visualizador.

#### Para comprobar el orden de los números de las canciones programadas

En el modo de programa, pulse EDIT/CHECK en el control remoto para seleccionar una cara, y pulse repetidamente ◀◀ o ▶▶ en el reproductor de discos compactos.



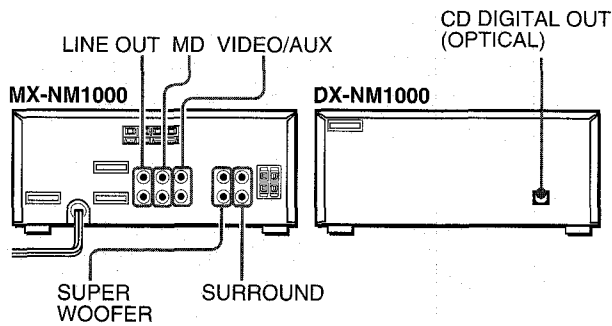
#### Para cambiar el programa de cada cara

Pulse EDIT/CHECK en el control remoto para seleccionar una cara, y pulse ■ STOP en el reproductor de discos compactos (o ■ CLEAR en el control remoto) para borrar el programa en la cara seleccionada. Luego programe de nuevo las canciones.

### NOTA

- Se puede programar un máximo de 30 canciones de cualquiera de los discos introducidos.
- La grabación resulta imposible si está rota la lengüeta de prevención de borrado de ambas caras de la cinta.

## CONEXION DE UN EQUIPO OPCIONAL



Consulte el manual de instrucciones del equipo conectado para tener más detalles.

- Los cables de conexión no han sido suministrados. Obtenga los cables de conexión necesarios.
- Consulte a su concesionario Aiwa en cuanto al equipo opcional.

### TOMAS VIDEO/AUX

El MX-NM1000 puede introducir señales de sonido analógico a través de estas tomas.

Utilice un cable con clavijas fono RCA para conectar el equipo de audio (giradiscos, reproductores de discos láser, reproductores de minidiscos, vídeos, televisores, etc.).

Conecte la clavija roja a la toma **VIDEO/AUX R**, y la clavija blanca a la toma **VIDEO/AUX L**.

#### Cuando conecte un giradiscos

Utilice un giradiscos Aiwa equipado con amplificador ecualizador incorporado.

### TOMAS MD

Se recomienda utilizar esta toma para conectar un reproductor de minidiscos.

Utilice un cable con clavijas fono RCA.

Conecte la clavija roja a la toma **MD R** del MX-NM1000, y la clavija blanca a la toma **MD L**.

### TOMAS LINE OUT

El MX-NM1000 puede dar salida a señales de sonido analógico a través de estas tomas.

Utilice un cable con clavijas fono RCA para conectar un equipo de audio con tomas **LINE IN** (entrada analógica).

Conecte la clavija roja de un cable a la toma **LINE OUT R**, y la clavija blanca a la toma **LINE OUT L**.

#### NOTA

No conecte un equipo simultáneamente a las tomas **LINE OUT** y a las tomas **VIDEO/AUX**. De lo contrario, se producirán ruidos y fallos en el funcionamiento.

### TOMAS SURROUND

Conecte los altavoces de sonido ambiental opcionales con una impedancia de 8 a 16 ohmios a las tomas **SURROUND** del MX-NM1000.

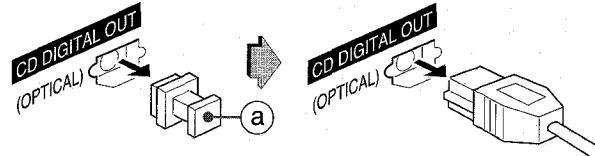
### TOMAS SUPER WOOFER

Conecte los altavoces de subgraves activos con amplificador incorporado a las tomas **SUPER WOOFER** del MX-NM1000.

### TOMA CD DIGITAL OUT (OPTICAL)

El DX-NM1000 puede dar salida a señales de sonido digital de discos compactos a través de esta toma. Utilice un cable óptico para conectar el equipo de audio digital (platina de cinta audiodigital, grabadora de minidiscos, etc.).

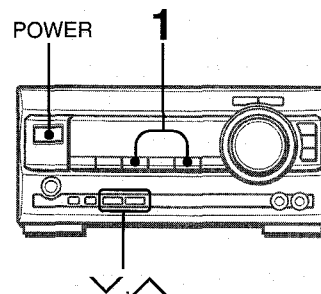
Quite la tapa contra el polvo **(a)** de la toma **CD DIGITAL OUT (OPTICAL)**. Luego, conecte una clavija del cable óptico a la toma **CD DIGITAL OUT (OPTICAL)**.



#### Cuando no se utilice la toma CD DIGITAL OUT (OPTICAL)

Ponga la tapa contra el polvo **(a)**.

## ESCUCHA DE FUENTES DE SONIDO EXTERNAS



Para hacer la reproducción en un equipo conectado a las tomas **VIDEO/AUX** o **MD** haga lo siguiente:

#### 1 Pulse VIDEO/AUX o MD.

Para hacer la reproducción en el equipo conectado a las tomas **VIDEO/AUX**, pulse **VIDEO/AUX**. "VIDEO" aparecerá en el visualizador.

Para hacer la reproducción en el equipo conectado a las tomas **MD**, pulse **MD**. "MD" aparecerá en el visualizador.

#### 2 Haga la reproducción en el equipo conectado.

#### Para cambiar un nombre de una fuente de sonido en el visualizador

Cuando se pulse **VIDEO/AUX**, "VIDEO" se visualizará inicialmente. Esto podrá ser cambiado por "AUX" o "TV".

Con la alimentación conectada, pulse **POWER** mientras pulsa **VIDEO/AUX**.

Repita el procedimiento para seleccionar uno de los nombres.

#### Para ajustar el nivel del sonido de la fuente de sonido externa

Cuando el nivel del sonido de la fuente externa sea muy superior o muy inferior al nivel del sonido de otras fuentes de sonido, ajústelo de la forma siguiente:

1 Pulse **VIDEO/AUX** o **MD** y haga la reproducción en el equipo.

2 Pulse **V** o **^** para que el nivel del sonido sea el mismo que el de otras fuentes.

#### NOTA

Durante la grabación, el nivel del sonido no se podrá ajustar.

## CUIDADOS Y MANTENIMIENTO

El mantenimiento y el cuidado ocasional de la unidad y del software resultan necesarios para optimizar las prestaciones de la unidad.

### Para limpiar la caja

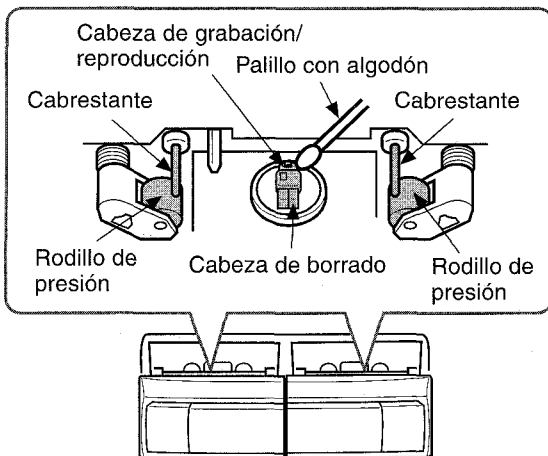
Utilice un paño blando y seco.

Si las superficies están muy sucias, utilice un paño blando humedecido un poco en una solución de detergente suave. No utilice disolventes fuertes tales como alcohol, bencina o diluyente porque éstos podrían estropear el acabado de la unidad.

### Para limpiar las cabezas y los puntos por donde pasa la cinta

Después de cada 10 horas de funcionamiento, limpie las cabezas y los puntos por donde pasa la cinta con un casete de limpieza de cabezas o un palillo con algodón humedecido con líquido de limpieza o alcohol desnaturalizado. (Estos juegos de limpieza pueden adquirirse en los comercios del ramo.)

Cuando limpie con un palillo con algodón, limpie la cabeza de grabación/reproducción (platina 2 solamente), la cabeza de borrado (platina 2 solamente), los cabrestantes y los rodillos de presión.



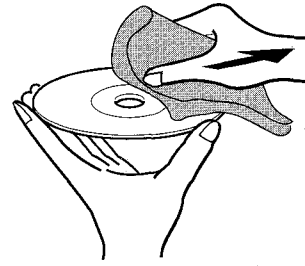
Después de limpiar las cabezas y los puntos por donde pasa la cinta con un casete de limpieza de cabezas que emplee líquido o un palillo con algodón humedecido en líquido de limpieza, espere hasta que las partes limpiadas estén completamente secas antes de insertar las cintas.

### Para desmagnetizar las cabezas

Las cabezas se magnetizan después de utilizarlas durante mucho tiempo. Esto puede reducir la gama de salida de las cintas grabadas y aumentar el ruido. Después de 20 a 30 horas de utilización, desmagnetice las cabezas con un desmagnetizador de venta en el comercio del ramo.

### Cuidados de los discos compactos

- Cuando un disco compacto esté sucio, límpielo pasando un paño de limpieza desde el centro hacia afuera.



- Después de reproducir un disco compacto, guárdelo en su caja. No deje los discos compactos en lugares calientes o húmedos.

### Cuidados de las cintas

- Guarde las cintas en sus cajas después de utilizarlas.
- No deje las cintas cerca de imanes, motores, televisores o cualquier otra fuente de magnetismo. Esto reducirá la calidad del sonido y causará ruidos.
- No exponga las cintas a la luz directa del sol, ni las deje en el interior de un automóvil estacionado bajo la luz directa del sol.

## GUIA PARA LA SOLUCION DE PROBLEMAS

Si la unidad no funciona como se describe en este manual de instrucciones, compruebe la guía siguiente.

### GENERALIDADES

#### No hay sonido.

- ¿Está bien conectado el cable de alimentación de CA?
- ¿Hay alguna conexión mal hecha? (→ página 4)
- Puede haber un cortocircuito en los terminales de los altavoces.  
→ Desconecte el cable de alimentación de CA y corrija las conexiones de los altavoces.
- ¿Se ha pulsado un botón de función equivocado?

#### Sólo sale sonido de un altavoz.

- ¿Está el otro altavoz desconectado?

#### La salida de sonido no es estéreo.

- ¿Está activada la función de karaoke? (→ página 19)

#### Se produce una visualización errónea o un mal funcionamiento.

- Vuelva a ajustar la unidad. Consulte "Para reajustar la unidad".

### RECEPTOR ESTEREO

#### Hay un ruido de estática constante en forma de onda.

- ¿Está conectada correctamente la antena? (→ página 5)
- ¿Es débil la señal?  
→ Conecte una antena exterior.

#### La recepción tiene interferencias o el sonido está distorsionado.

- ¿Capta el sistema ruidos externos o distorsión de múltiples trayectorias?  
→ Cambie la orientación de la antena.  
→ Separe la unidad de otros aparatos eléctricos.

### PLATINA DE CASETE

#### La cinta no se mueve.

- ¿Está la platina en el modo de pausa? (→ página 25)

#### El sonido está desequilibrado o no alcanza la altura suficiente.

- ¿Está sucia la cabeza de reproducción? (→ página 31)

#### No es posible grabar.

- ¿Está rota la lengüeta de prevención contra borrado en el casete? (→ página 26)
- ¿Está sucia la cabeza de grabación? (→ página 31)

#### No es posible borrar la grabación.

- ¿Está sucia la cabeza de borrado? (→ página 31)
- ¿Está utilizando una cinta de metal?

#### No se emite sonido de alta frecuencia.

- ¿Está sucia la cabeza de grabación/reproducción? (→ página 31)
- ¿Se reproduce una cinta grabada sin Dolby NR con el sistema Dolby NR activado? (→ página 25)

### REPRODUCTOR DE DISCOS COMPACTOS

#### El reproductor de discos compactos no reproduce.

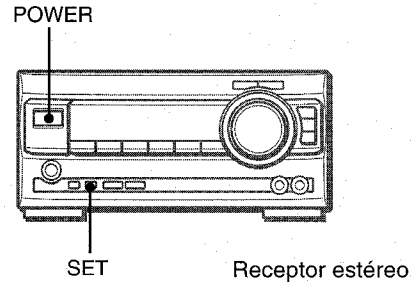
- ¿Está bien colocado el disco? (→ página 20)
- ¿Está sucio el disco? (→ página 31)
- ¿Afecta la condensación a la lente?  
→ Espere una hora aproximadamente y pruebe otra vez.

### Para reajustar la unidad

Si se produce alguna condición extraña en el visualizador o en las platinas, reajuste la unidad de la forma siguiente:

- 1 Pulse **POWER** para desconectar la alimentación.
- 2 Pulse **POWER** para conectar la alimentación mientras pulsa **SET**. Todo lo que haya sido almacenado en la memoria después de haber adquirido la unidad se borrará.

Si no puede desconectarse la alimentación en el paso 1 debido a algún mal funcionamiento, reajuste la unidad desconectando el cable de alimentación de CA y conectándolo de nuevo. Luego repita el paso 2.





# ESPECIFICACIONES

## RECEPTOR ESTEREO MX-NM1000

### Sección del sintonizador de FM

Gama de sintonización	87,5 MHz a 108 MHz
Sensibilidad útil (IHF)	13,2 dBf
Terminales de antena	75 ohmios (desequilibrada)

### Sección del sintonizador de AM

Gama de sintonización	530 kHz a 1710 kHz (pasos de 10 kHz) 531 kHz a 1602 kHz (pasos de 9 kHz)
Sensibilidad útil	350 $\mu$ V/m
Antena	Antena de cuadro

### Sección del amplificador

Potencia de salida	65 W + 65 W (50 Hz-20 kHz, distorsión armónica total inferior a 1%, 6 ohmios)
Distorsión armónica total	0,1% (8 W, 1 kHz, 6 ohmios, DIN AUDIO)
Entradas	VIDEO/AUX: 150 mV (ajustable) MD: 150 mV (ajustable) MIC 1, MIC 2: 1 mV (10 kohmios)
Salidas	LINE OUT: 210 mV SPEAKERS: Acepta altavoces de 6 ohmios o más SURROUND SPEAKERS: Acepta altavoces de 8 a 16 ohmios PHONES (toma estéreo): Acepta auriculares de 32 ohmios o más

### Generalidades

Alimentación	120 V CA, 60 Hz
Consumo	105 W
Dimensiones de la unidad principal (An x Al x Prof)	260 x 121,5 x 345 mm
Peso de la unidad principal	5,8 kg

## PLATINA DE CASETE FX-NM1000

Formato de pistas	4 pistas, 2 canales estéreo
Respuesta de frecuencia	Tipo II (alta polarización/CrO <sub>2</sub> ): 50 Hz - 16000 Hz Tipo I (normal): 50 Hz - 15000 Hz
Relación señal a ruido	60 dB (Dolby B NR ON, nivel de cresta de Tipo II)
Sistema de grabación	Polarización de CA
Cabezas	Platina 1: 1 cabeza de reproducción Platina 2: 1 cabeza de grabación/reproducción, 1 cabeza de borrado
Dimensiones de la unidad principal (An x Al x Prof)	260 x 121,5 x 318 mm
Peso de la unidad principal	1,8 kg

## REPRODUCTOR DE DISCOS COMPACTOS DX-NM1000

Láser	Láser de semiconductor ( $\lambda = 780$ nm)
Convertidor D-A	1 bit doble
Relación señal a ruido	85 dB (1 kHz, 0 dB)
Distorsión armónica	0,05% (1 kHz, 0 dB)
Fluctuación y trémolo	No se puede medir
Dimensiones de la unidad principal (An x Al x Prof)	260 x 106 x 318 mm
Peso de la unidad principal	2,2 kg

## ECUALIZADOR GRAFICO GE-NM1000

Dimensiones de la unidad principal (An x Al x Prof)	260 x 100,5 x 322 mm
Peso de la unidad principal	1,0 kg

## SISTEMA DE ALTAVOCES SX-NMT1000


Tipo de caja	3 vías (tipo de blindaje antimagnético)
Altavoces	Altavoz de graves: 2 de tipo cónico de 140 mm Altavoz de agudos: Tipo cónico de 60 mm Altavoz de superagudos: Tipo cerámico de 20 mm
Impedancia	6 ohmios
Nivel de presión acústica de salida	88 dB/W/m
Dimensiones (An x Al x Prof)	220 x 440 x 250 mm
Peso	5,8 kg

Las especificaciones y el aspecto exterior están sujetos a cambios sin previo aviso.

### BBE SYSTEM

La sigla "BBE" y el símbolo "BBE" son marcas registradas de BBE Sound, Inc. Bajo licencia de BBE Sound, Inc.

### DOLBY NR

Reducción de ruido Dolby fabricado bajo licencia de Dolby Laboratories Licensing Corporation. DOLBY, el símbolo de la D doble  son marcas de Dolby Laboratories Licensing Corporation.

### DERECHOS DE AUTOR

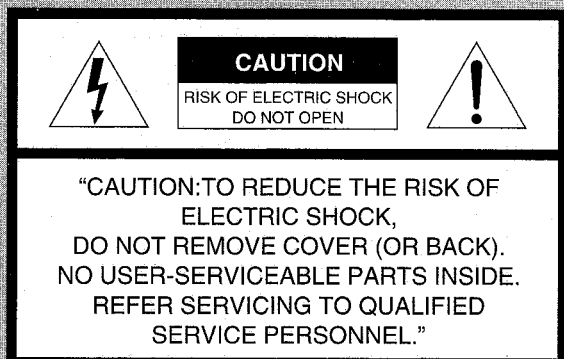
Sírvase comprobar las leyes de derechos de autor relacionadas con la grabación de discos, de la radio o de cintas del país en el que se utilice el aparato.

### PRECAUCION

Las modificaciones o los ajustes efectuados en este producto que no hayan sido expresamente aprobados por el fabricante podrían anular la autorización que usted tiene para utilizarlo.

## AVERTISSEMENT

POUR REDUIRE LE RISQUE DE COURT-CIRCUIT OU DE CHOC ELECTRIQUE, NE PAS EXPOSER CET APPAREIL A LA PLUIE OU A L'HUMIDITE.



### Signification des symboles graphiques:



L'éclair portant une flèche, situé dans un triangle équilatéral, sert à prévenir l'utilisateur de la présence d'une "tension dangereuse" non isolée à l'intérieur de l'appareil, assez élevée pour constituer un risque d'électrocution.



Le point d'exclamation situé dans un triangle équilatéral sert à prévenir l'utilisateur de la présence d'instructions importantes concernant l'utilisation et l'entretien (ou la réparation) de l'appareil dans le manuel qui accompagne ce dernier.

### Relevé du propriétaire


Pour plus de commodité, noter le numéro de modèle et le numéro de série (ces numéros se trouvent au dos de l'appareil) dans les cases ci-dessous. Prière de mentionner ces numéros quand on contacte un distributeur Aiwa en cas de difficulté.

N° de modèle	N° de série (N° de lot)
GE-NM1000	
MX-NM1000	
DX-NM1000	
FX-NM1000	
SX-NMT1000	

## PRECAUTIONS

Lire le mode d'emploi attentivement et complètement avant d'utiliser l'appareil. Garder le mode d'emploi pour toute référence future. Tous les avertissements et toutes les précautions donnés dans le mode d'emploi et sur l'appareil doivent être suivis à la lettre, aussi bien que les suggestions de sécurité suivantes.

### Installation

- 1 Eau et humidité** — Ne pas utiliser cet appareil près d'eau, comme près d'une baignoire, d'une cuvette, d'une piscine ou autre.
- 2 Chaleur** — Ne pas utiliser cet appareil près de sources de chaleur, comme sorties de chauffage, poêles ou autres appareils qui dégagent de la chaleur. L'appareil ne doit pas être soumis à des températures inférieures à 5°C ou supérieures à 35°C.
- 3 Surface d'utilisation** — Poser l'appareil sur une surface plate et lisse.
- 4 Ventilation** — L'appareil doit être positionné avec un espace suffisant autour afin d'assurer une dissipation adéquate de la chaleur. Laisser un espace de 10 cm derrière et dessus l'appareil, et un espace de 5 cm de chaque côté.
  - Ne pas mettre l'appareil sur un lit, un tapis ou sur une surface similaire qui pourrait obstruer les orifices de ventilation.
  - Ne pas mettre l'appareil dans une bibliothèque, un coffret ou un meuble complètement fermé où l'aération serait insuffisante.
- 5 Entrée d'objets et de liquide** — Faire attention à ce que aucun corps étranger ou liquide ne pénètre dans l'appareil pas les orifices de ventilation.
- 6 Chariot et support** — Si l'appareil est posé ou monté sur un support ou un chariot, déplacer ce dernier avec précaution. Les arrêts brusques, une force excessive et les surfaces inégales peuvent provoquer le renversement ou la chute de l'appareil et du chariot.
 
- 7 Condensation** — De la condensation peut se former sur la lentille du capteur du lecteur de disques compacts quand:
  - L'appareil est déplacé d'un endroit froid à un endroit chaud
  - Le chauffage vient juste d'être mis en marche
  - L'appareil est utilisé dans une pièce très humide
  - L'appareil est refroidi par un climatiseur
 S'il y a de la condensation à l'intérieur de cet appareil, il risque de ne pas fonctionner correctement. Le cas échéant, laisser l'appareil pendant quelques heures, puis essayer de nouveau de l'utiliser.
- 8 Fixation à un mur ou un plafond** — L'appareil ne doit pas être fixé à un mur ou un plafond, à moins que ce ne soit spécifié dans le mode d'emploi.

### Energie électrique

- 1 Alimentations électriques** — Brancher cet appareil uniquement aux alimentations électriques spécifiées dans le mode d'emploi, et comme indiqué sur l'appareil.
- 2 Polarisation** — Comme mesure de sécurité, certains appareils sont munis de fiches polarisées d'alimentation secteur qui ne peuvent être introduites que dans un sens dans une prise de courant. S'il est difficile ou impossible d'insérer la fiche d'alimentation secteur dans une prise, retourner la fiche et essayer de nouveau. Si l'on ne peut toujours pas insérer la fiche dans la prise, s'adresser à un électricien qualifié pour faire réparer ou changer la prise. Afin de ne pas annuler la sécurité de la fiche polarisée, ne pas insérer cette fiche en force dans une prise.

### 3 Cordon d'alimentation secteur

- Pour débrancher le cordon d'alimentation secteur, le tirer par sa fiche. Ne pas tirer sur le cordon proprement dit.
- Ne jamais tenir la fiche d'alimentation secteur avec les mains mouillées, cela pourrait se traduire par un court-circuit ou un choc électrique.
- Les cordons d'alimentation doivent être installés de manière à ne pas être pliés, pincés ou piétinés. Faire particulièrement attention au cordon allant de l'appareil à la prise de courant.
- Eviter de surcharger les prises d'alimentation et les rallonges au-delà de leur capacité, cela pourrait se traduire par un court-circuit ou un choc électrique.

**4 Rallonge** — Afin d'éviter tout choc électrique, ne pas utiliser une fiche polarisée d'alimentation secteur avec une rallonge ou une prise si cette fiche ne peut pas être insérée complètement de manière que ses lames ne soient pas exposées.

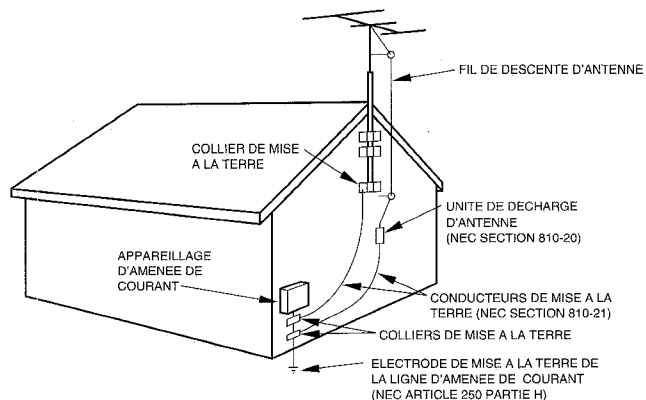
**5 Périodes de non-utilisation** — Débrancher le cordon d'alimentation secteur de la prise de courant si l'appareil ne doit pas être utilisé pendant plusieurs mois ou plus. Quand le cordon est branché, un courant de faible intensité continue de circuler dans l'appareil même si l'alimentation est coupée.

### Antenne extérieure

**1 Lignes d'amenée de courant** — Quand on branche une antenne extérieure, s'assurer qu'elle est située à l'écart de toute ligne d'amenée de courant.

**2 Mise de l'antenne extérieure à la terre** — Afin d'assurer une protection contre toute impulsion de tension et contre toute accumulation d'électricité statique, s'assurer que l'antenne est correctement mise à la terre. L'article 810 du code national d'électricité (NEC), ANSI/NFPA 70, fournit des informations au sujet de la mise à la terre du mât, de la structure de support et du conducteur arrivant à l'unité de décharge d'antenne et au sujet des dimensions des conducteurs de mise à la terre, de la connexion aux électrodes de mise à la terre et des exigences concernant ces électrodes.

Mise à la terre d'une antenne selon le code national d'électricité (NEC)



NEC: CODE NATIONAL D'ELECTRICITE

### Entretien

Nettoyer l'appareil uniquement comme recommandé dans le mode d'emploi.

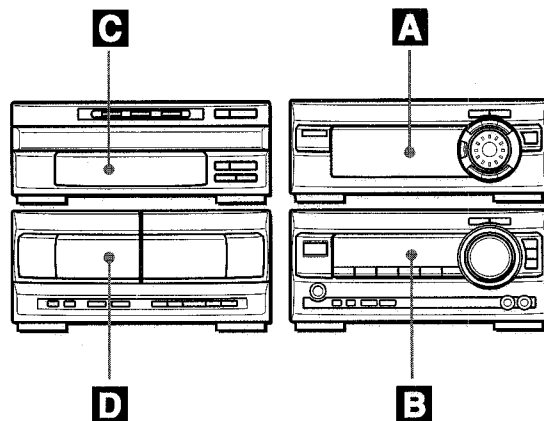
### Domage nécessitant une réparation

S'adresser à un technicien qualifié pour faire réparer l'appareil si:

- Le cordon ou la fiche d'alimentation secteur de l'appareil est endommagé.
- Tout corps étranger ou liquide est entré dans l'appareil.
- L'appareil a été exposé à la pluie ou à de l'eau.
- L'appareil ne semble pas fonctionner normalement.
- L'appareil présente un changement notable de performances.
- L'appareil a subi un choc, ou son coffret a été endommagé.

**N'ESSAYEZ PAS DE REPARER L'APPAREIL VOUS-MEME.**

## TABLE DES MATIERES



PRECAUTIONS .....	2
-------------------	---

### PREPARATIONS

CONNEXIONS .....	4
TELECOMMANDE .....	6
AVANT L'UTILISATION .....	6
REGLAGES AUDIO .....	7

### A EGALISEUR GRAPHIQUE

NOMENCLATURE .....	8
EGALISEUR GRAPHIQUE .....	8
SURROUND DSP .....	10
FONCTION GENERATION DE RYTHME (BEAT MASTER) .....	12
REGLAGE DE L'HORLOGE .....	13
REGLAGE DE LA MINUTERIE D'ARRET .....	13
REGLAGE DE LA MINUTERIE .....	14

### B RECEPTEUR STEREO

NOMENCLATURE .....	16
RECEPTION RADIO .....	16
MEMORISATION DE STATIONS .....	17
MIXAGE AVEC MICROPHONE (KARAOKE) .....	18

### C LECTEUR DE DISQUES COMPACTS

NOMENCLATURE .....	20
LECTURE DE DISQUES COMPACTS .....	20
LECTURE PROGRAMMEE .....	22
PROGRAMME DE KARAOKE .....	23

### D MAGNETOCASSETTE

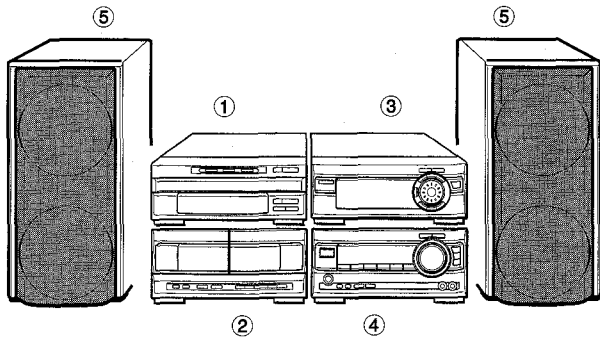
NOMENCLATURE .....	24
LECTURE DE CASSETTES .....	24
LECTURE CONTINUE .....	25
ENREGISTREMENT DE BASE .....	26
DUPLICATION MANUELLE D'UNE CASSETTE .....	27
DUPLICATION DE LA TOTALITE D'UNE CASSETTE ...	27
ENREGISTREMENT AVEC MONTAGE ET CALCUL DU TEMPS .....	28
ENREGISTREMENT AVEC MONTAGE PROGRAMME .....	29

### GENERALITES

CONNEXION D'UN APPAREIL OPTIONNEL .....	30
ECOUTE DE SOURCES EXTERNES .....	30
SOINS ET ENTRETIEN .....	31
EN CAS DE PROBLEME .....	32
SPECIFICATIONS .....	33

**CONNEXIONS**

**Contrôler la chaîne et les accessoires**

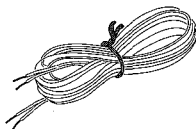
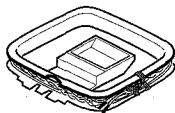
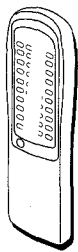


- ① DX-NM1000 Lecteur de disques compacts
- ② FX-NM1000 Magnétocassette stéréo
- ③ GE-NM1000 Egaliseur graphique
- ④ MX-NM1000 Récepteur stéréo
- ⑤ SX-NMT1000 Enceintes avant

Télécommande

Antenne AM

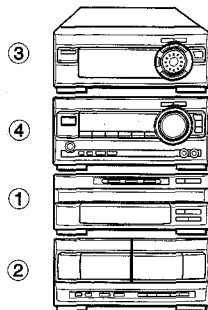
Antenne FM



Mode d'emploi, etc.

**Installation des appareils**

Installer les appareils horizontalement comme illustré plus haut. Quand on les installe verticalement, se reporter à l'illustration suivante.



**REMARQUE**

- Ne pas mettre le magnétocassette stéréo sur le lecteur de disques compacts. La fenêtre supérieure du lecteur de disques compacts pourrait être endommagée.
- S'assurer que le magnétocassette stéréo se trouve sur la gauche du récepteur stéréo. Si le magnétocassette stéréo se trouve sur la droite du récepteur stéréo ou sur ou sous celui-ci, cela peut générer des parasites ou empêcher la chaîne stéréo de fonctionner correctement.

**IMPORTANT**

Commencer par brancher les enceintes, les antennes et tout appareil optionnel. Brancher le cordon secteur en dernier.

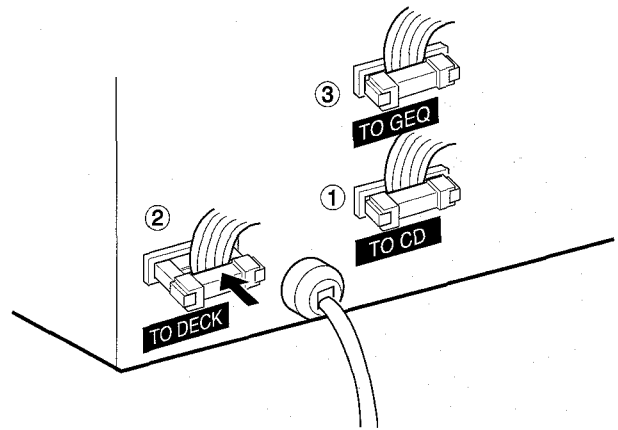
**Avant de brancher le cordon secteur**

La tension nominale d'alimentation secteur des appareils, indiquée au dos du récepteur stéréo, est de 120 V. S'assurer que cette tension nominale correspond à celle du secteur local.

**Enceintes**

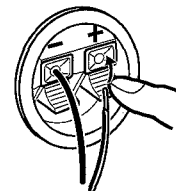
L'enceinte se trouvant sur le côté droit de l'appareil quand celui-ci est en face de soi est "l'enceinte droite" et l'autre est "l'enceinte gauche".

- 1 **Connecter les câbles plats des DX-NM1000 ①, FX-NM1000 ② et GE-NM1000 ③ au MX-NM1000.**  
Enfoncer le connecteur jusqu'à ce qu'un déclic soit audible.



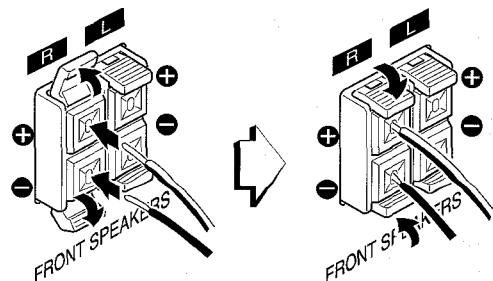
- 2 **Connecter les cordons d'enceinte aux enceintes avant SX-NMT1000.**

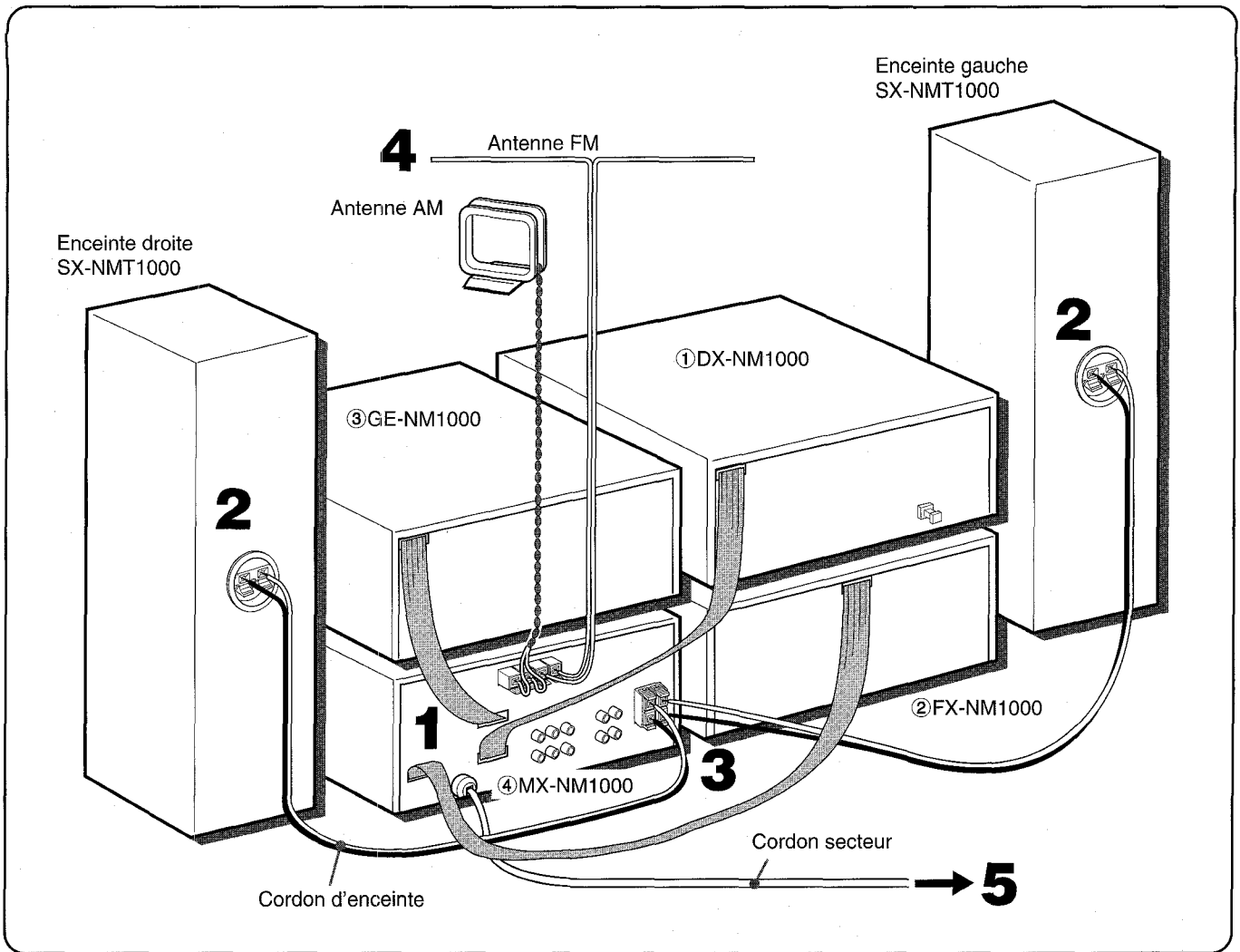
Connecter les cordons rayés de blanc aux bornes ⊕ et les autres cordons aux bornes ⊖.



- 3 **Connecter les cordons d'enceinte au MX-NM1000.**

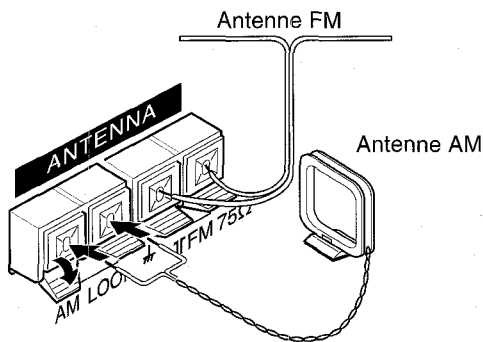
Connecter les cordons rayés de blanc aux bornes ⊕ et les autres cordons aux bornes ⊖.





**4 Connecter les antennes fournies.**

Connecter l'antenne FM aux bornes **FM 75 Ω** et l'antenne AM aux bornes **AM LOOP**.



**Pour positionner les antennes**

**Antenne FM:**

Déployer cette antenne horizontalement selon la forme d'un T et fixer ses extrémités à un mur.

**Antenne AM:**

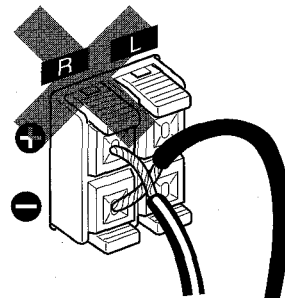
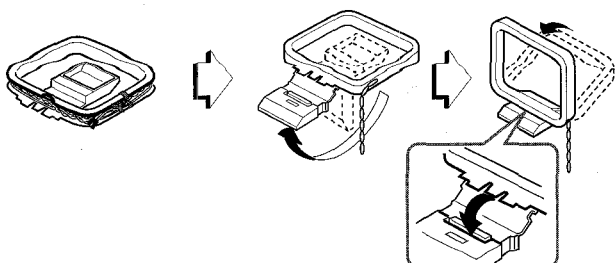
Positionner cette antenne de manière à obtenir la meilleure réception possible.

**REMARQUE**

- Faire attention à connecter les cordons d'enceinte correctement. Des connexions incorrectes peuvent provoquer des courts-circuits dans les bornes **SPEAKERS**.

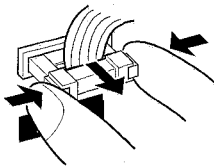
**5 Brancher le cordon secteur à une prise de courant.**

**Pour poser l'antenne AM sur une surface**  
Fixer la griffe dans la rainure.



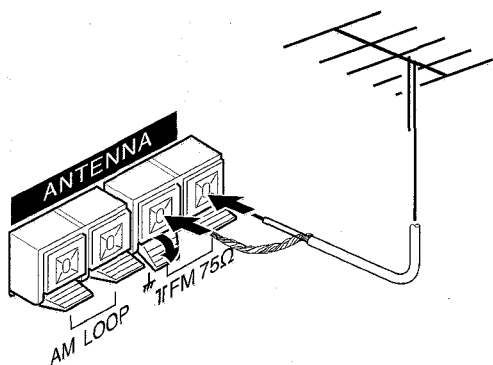
- Ne pas laisser d'objets produisant un champ magnétique, tels que des cartes de crédit, près des enceintes; ils pourraient être endommagés.
- Ne pas mettre l'antenne FM près d'objets métalliques ou de tringles à rideaux.
- Ne pas mettre l'antenne AM près d'un appareil optionnel, de la chaîne stéréo proprement dite, du cordon secteur ou des cordons d'enceinte; elle capterait des parasites.
- Ne pas dérouler le fil de l'antenne AM.

**Pour débrancher le connecteur du câble plat**  
Appuyer sur les languettes et tirer le connecteur vers l'extérieur.



## CONNEXION D'UNE ANTENNE EXTERIEURE

Pour obtenir une meilleure réception FM, il est recommandé d'utiliser une antenne extérieure.  
Connecter l'antenne extérieure aux bornes **FM 75 Ω**.

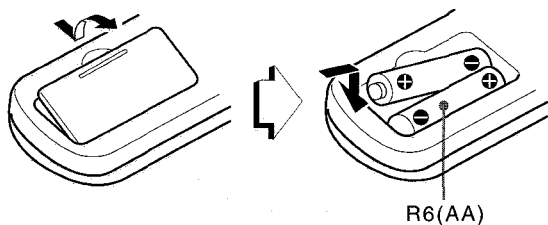


Pour connecter un autre appareil optionnel → page 30.

## TELECOMMANDE

### Mise en place des piles

Enlever le couvercle des piles du dos de la télécommande et mettre deux piles R6 (taille AA) en place.



### Quand remplacer les piles

La distance maximale de fonctionnement entre la télécommande et le capteur situé sur l'appareil principal doit être d'environ cinq mètres. Lorsque cette distance diminue, remplacer les piles par des neuves.

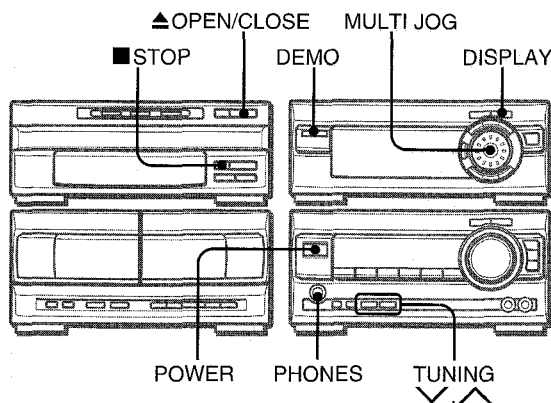
### Utilisation de la télécommande

Les instructions données dans ce manuel concernent principalement les touches de l'appareil principal. Les touches de la télécommande portant les mêmes noms que celles de l'appareil principal peuvent également être utilisées.

### REMARQUE

- Si la télécommande ne doit pas être utilisée pendant longtemps, enlever les piles pour éviter tout risque de fuite d'électrolyte.
- La télécommande risque de ne pas fonctionner correctement quand:
  - l'espace entre la télécommande et le capteur situé sur la fenêtre d'affichage est exposé à une lumière intense, comme le soleil.
  - d'autres télécommandes (téléviseur, etc.) sont utilisées à proximité.

## AVANT L'UTILISATION



### Pour mettre sous tension

Appuyer sur une des touches de fonction (**TAPE, TUNER, VIDEO/AUX, CD, MD**). La lecture du disque ou de la cassette en place commence, ou la station écoutée en dernier est reçue (fonction de lecture directe).

On peut aussi utiliser **POWER**.

Quand l'appareil est mis sous tension, le compartiment à disques peut s'ouvrir et se fermer pour réinitialiser l'appareil.

### Pour mettre hors tension

Appuyer sur **POWER**.

### Utilisation d'un casque

Brancher un casque muni d'une fiche stéréo standard (6,3 mm  $\varnothing$ ) à la prise **PHONES**.

Aucun son ne sort par les enceintes quand un casque est branché.

## ECLAIRAGE ET AFFICHAGE

### Fenêtre clignotante

La fenêtre située au sommet du lecteur de disques compacts s'allume ou clignote quand l'appareil est sous tension.

Pour éteindre cette fenêtre, appuyer sur **STOP** du lecteur de disques compacts tout en appuyant sur **OPEN/CLOSE**. Pour rallumer cette fenêtre, procéder de la même manière.

### Pour assombrir l'éclairage de l'affichage

- 1 Appuyer deux fois sur **DISPLAY** de manière que "DIMMER" soit affiché.
- 2 Dans les quatre secondes, tourner **MULTI JOG** pour sélectionner le mode de luminosité comme suit.



**DIMMER 0:** Affichage normal.

**DIMMER 1:** L'éclairage de l'affichage est plus sombre que d'habitude.

**DIMMER 2:** L'éclairage de l'affichage est plus sombre que dans le mode DIMMER 1 et l'analyseur de spectre et l'éclairage des touches s'éteignent.

### Pour changer l'affichage de l'analyseur de spectre

Quatre types d'affichage d'analyseur de spectre sont disponibles. Appuyer une fois sur **DISPLAY** puis tourner **MULTI JOG** dans les quatre secondes pour sélectionner l'affichage d'analyseur de spectre souhaité.

## DEMONSTRATION DE JEU

Quand on branche le cordon secteur ou quand on appuie sur **DEMO**, la démonstration de jeu apparaît sur les fenêtres d'affichage.

- La démonstration est annulée lors de la mise sous tension.

### Pour utiliser la démonstration de jeu

- 1 Appuyer sur **DEMO** de manière que la démonstration de jeu soit affichée.
- 2 Appuyer sur **TUNING**  $\wedge$ .  
Trois chiffres se mettent à défiler sur l'affichage.
- 3 Appuyer une fois sur **TUNING**  $\vee$ .  
Le chiffre de gauche s'arrête.
- 4 Appuyer deux fois sur **TUNING**  $\vee$  pour arrêter les deux chiffres restants.
  - On peut utiliser la démonstration de jeu avec un fond sonore tandis que l'appareil est sous tension.

#### Marque des points:

On dispose de 20 points au démarrage du jeu.

Si les trois chiffres sont égaux, 50 points sont ajoutés au score.

Si les chiffres ne sont pas égaux, un point est soustrait.

Si le total des points atteint 9999, on a gagné.

Si le total des points tombe à 0, on a perdu.

### Pour annuler la démonstration de jeu

Appuyer sur **DEMO**. Pour rétablir la démonstration de jeu, appuyer de nouveau sur **DEMO**.

### Pour réinitialiser la démonstration de jeu

Appuyer deux fois sur **DEMO** puis appuyer sur **TUNING**  $\wedge$ . Le jeu redémarre.

### Pour supprimer le son du jeu

Commencer par annuler la démonstration de jeu en appuyant sur **DEMO**. Ensuite, tenir **DEMO** enfoncée jusqu'à ce que "♪♪ OFF" soit affiché.

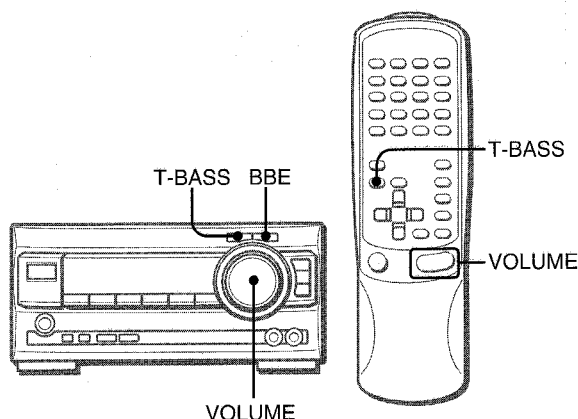
Pour rétablir le son du jeu, tenir de nouveau **DEMO** enfoncée jusqu'à ce que "♪♪ ON" soit affiché.

### REMARQUE

- Pendant l'utilisation de la démonstration de jeu, **TUNING**  $\vee$  et **TUNING**  $\wedge$  ne sont disponibles que pour cette démonstration. Pour utiliser ces touches pour les fonctions telles que l'accord, la mémorisation d'une station, etc., annuler la démonstration de jeu.
- Pour changer le son du jeu, voir la partie "FONCTION GENERATION DE RYTHME", page 12.
- Pendant la démonstration de jeu, certains indicateurs sans rapport avec l'utilisation réelle s'allument sur l'affichage.

## REGLAGES AUDIO

Utiliser les touches et commandes du récepteur stéréo ou de la télécommande.



### VOLUME

Tourner **VOLUME** du récepteur stéréo, ou appuyer sur **VOLUME** de la télécommande.

Le niveau du volume est affiché sous la forme d'un nombre de 0 à MAX (50). Quand on coupe l'alimentation avec le niveau du volume réglé à 21 ou plus, ce niveau est automatiquement réglé à 20.

### SYSTEME BBE

Le système BBE augmente la clarté du son aux fréquences élevées. Il enrichit aussi la fonction Karaoke pour donner un son clair et agréable de la voix.

**Appuyer sur BBE du récepteur stéréo.**

A chaque pression sur la touche, le niveau change. Sélectionner un des trois niveaux ou la position de repos, comme on préfère.



### SYSTEME SUPER T-BASS

Le système T-BASS améliore le réalisme du son aux basses fréquences.

**Appuyer sur T-BASS du récepteur stéréo.**

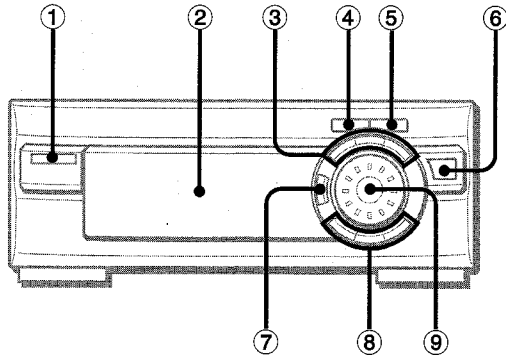
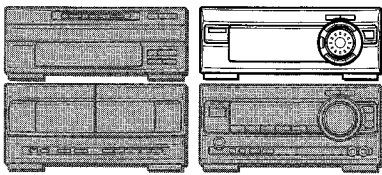
A chaque pression sur la touche, le niveau change. Sélectionner un des quatre niveaux ou la position de repos, comme on préfère.



### REMARQUE

Le son aux basses fréquences risque d'être déformé quand le système T-BASS est utilisé pour un disque ou une cassette dont le son aux basses fréquences est accentué d'origine. Dans ce cas, annuler le système T-BASS.

NOMENCLATURE



Nom	page
❶ DEMO	7
❷ Fenêtre d'affichage	
❸ FREQ DOWN	9
GEQ	8
FREQ UP	9
❹ CLOCK/TIMER	13-15
❺ DISPLAY	6,7
❻ ENTER	9, 11, 12
❼ RHYTHM	12
❽ DELAY TIME	10,11
SURROUND	10,11
EFFECT	10,11
❾ MULTI JOG	6-14

EGALISEUR GRAPHIQUE

SELECTION D'UNE COURBE D'ÉGALISATION PROGRAMMÉE

Cet appareil possède les cinq courbes d'égalisation programmées suivantes.

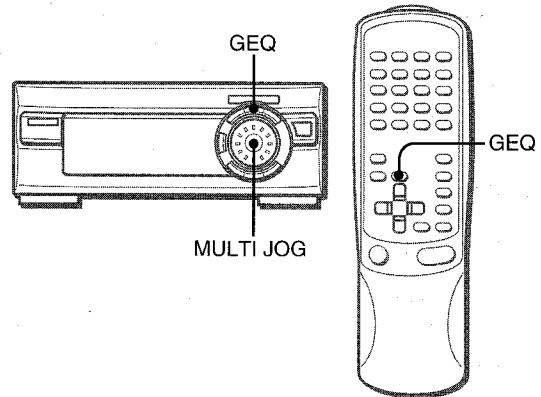
**ROCK:** Son puissant accentuant les aigus et les graves.

**POP:** Présence accrue des parties vocales et de la gamme moyenne.

**JAZZ:** Fréquences basses accentuées pour la musique de type jazz.

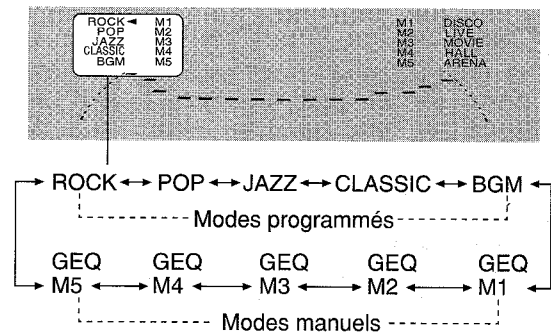
**CLASSIC:** Son enrichi avec des graves puissants et des aigus fins.

**BGM:** Ton calme avec graves et aigus supprimés.



Appuyer sur **GEQ**, puis tourner **MULTI JOG** pour sélectionner une des courbes d'égalisation programmées dans les quatre secondes.

Le mode d'égalisation graphique est affiché de manière cyclique comme suit.



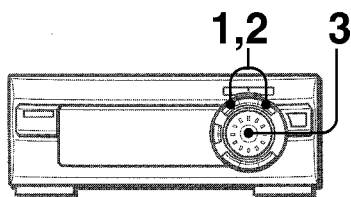
Pour annuler le mode sélectionné

Appuyer une ou deux fois sur **GEQ** de manière que "GEQ OFF" apparaisse sur l'affichage du récepteur stéréo.

Quand on utilise la télécommande, appuyer sur **GEQ** à plusieurs reprises jusqu'à ce que "GEQ OFF" soit affiché.



## REGLAGE MANUEL D'UNE NOUVELLE COURBE D'EGALISATION

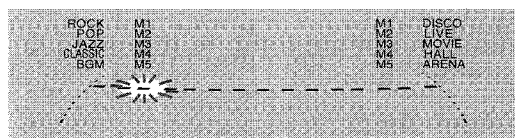


La courbe d'égalisation peut être personnalisée comme on préfère.

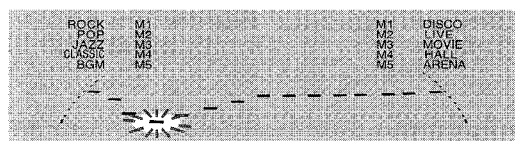
**1 Appuyer sur FREQ DOWN ou FREQ UP.**

**2 Dans les quatre secondes, appuyer sur FREQ DOWN ou FREQ UP à plusieurs reprises pour sélectionner la fréquence que l'on veut régler.**

L'indicateur de la fréquence sélectionnée clignote pendant quatre secondes.



**3 Dans les huit secondes, tourner MULTI JOG pour régler le niveau de la fréquence sélectionnée.**



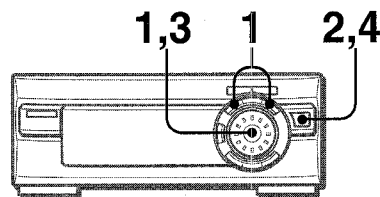
**4 Répéter les étapes 3 et 4 pour terminer la courbe d'égalisation.**

### Pour annuler l'égaliseur graphique

Appuyer une ou deux fois sur **GEQ** de manière que "GEQ OFF" apparaisse sur l'affichage du récepteur stéréo.

Quand on utilise la télécommande, appuyer sur **GEQ** à plusieurs reprises jusqu'à ce que "GEQ OFF" soit affiché.

## MEMORISATION DES NOUVELLES COURBES D'EGALISATION

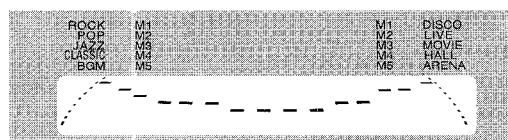


Jusqu'à cinq courbes d'égalisation personnalisées peuvent être mémorisées avec les modes manuels M1 - M5.

**1 Régler une nouvelle courbe d'égalisation avec FREQ DOWN, FREQ UP et MULTI JOG.**

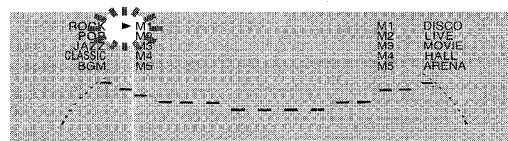
Voir la partie "REGLAGE MANUEL D'UNE NOUVELLE COURBE D'EGALISATION".

La courbe créée est affichée pendant huit secondes.



**2 Dans les quatre secondes, appuyer sur ENTER.**

L'indicateur "M 1" clignote sur l'affichage pendant quatre secondes.



• Si cette étape n'est pas terminée dans les quatre secondes, appuyer d'abord sur **GEQ** pour afficher "GEQ ON". Ensuite, appuyer sur **ENTER** dans les quatre secondes.

**3 Dans les huit secondes, tourner MULTI JOG pour sélectionner un des modes manuels M1 - M5 pour mémoriser la courbe.**

**4 Dans les huit secondes, appuyer sur ENTER.**

La nouvelle courbe d'égalisation est mémorisée.

### Pour sélectionner la courbe d'égalisation mémorisée

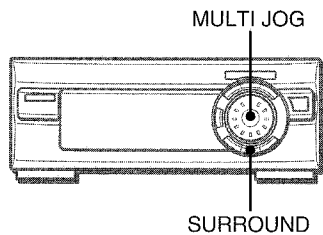
Appuyer sur **GEQ**, puis tourner **MULTI JOG** pour sélectionner un des modes manuels M1 - M5 dans les quatre secondes.

## SURROUND DSP

Le système SURROUND DSP (processeur numérique de signaux) règle le temps de retard, le mode d'entrée et le niveau de rétroaction pour donner un son surround résonnant, permettant ainsi d'obtenir la présence sonore réelle de différents environnements.

Cet appareil a été programmé avec cinq modes SURROUND différents. On peut aussi créer et mémoriser jusqu'à cinq réglages surround personnalisés.

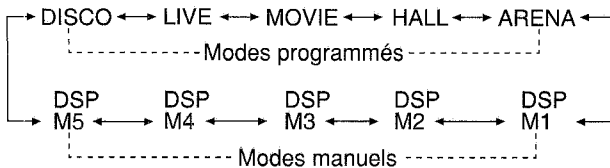
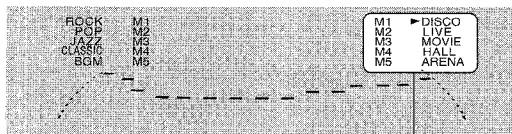
### SELECTION D'UN MODE SURROUND DSP PROGRAMME



En sélectionnant un mode SURROUND DSP programmé, on peut choisir la présence sonore d'une discothèque (DISCO), d'une représentation musicale en direct (LIVE), d'un cinéma (MOVIE), d'une salle de concert (HALL) ou d'une arène (ARENA).

**Appuyer sur SURROUND, puis tourner MULTI JOG pour sélectionner le mode programmé souhaité dans les quatre secondes.**

Le mode SURROUND DSP est affiché de manière cyclique comme suit.



Les courbes d'égalisation sont sélectionnées automatiquement en fonction des modes SURROUND DSP programmés. Pour chacun des modes manuels, le mode d'égalisation graphique manuel de numéro correspondant est sélectionné.

#### Pour annuler le système SURROUND DSP

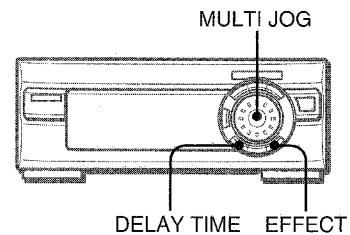
Appuyer une ou deux fois sur **SURROUND** de manière que "DSP OFF" apparaisse sur l'affichage du récepteur stéréo.

#### Quand la source de musique est monophonique

Sélectionner "LIVE" ou "MOVIE" pour obtenir un effet stéréo simulé. Quand "DISCO", "HALL" ou "ARENA" est sélectionné, aucun son ne sort par les enceintes surround connectées. (Les enceintes surround ne sont pas fournies. Voir page 30.)

## REGLAGE MANUEL D'UN NOUVEAU SON SURROUND DSP

Les éléments du son SURROUND DSP peuvent être personnalisés.

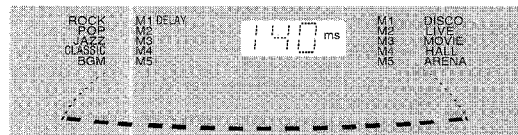


#### DELAY TIME (temps de retard)

L'augmentation de la valeur numérique affichée augmente le temps de retard et l'effet surround. On peut sélectionner "15", "20", "30", "50", "100" ou "140" ms.

#### Pour régler le temps de retard

Appuyer sur **DELAY TIME**, puis tourner **MULTI JOG** pour sélectionner une des valeurs dans les huit secondes.



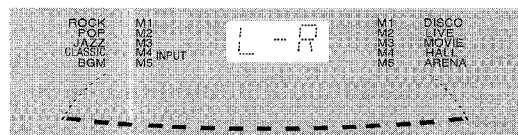
#### L-R, L+R (mode d'entrée)

Quand "L+R" est affiché, l'effet surround augmente, surtout au centre.

Quand "L-R" est affiché, l'effet surround augmente sur l'extérieur.

#### Pour sélectionner un mode d'entrée

Appuyer une fois sur **EFFECT**, puis tourner **MULTI JOG** pour sélectionner "L-R" ou "L+R" dans les huit secondes.

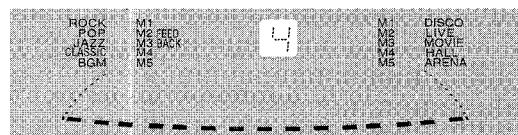


#### FB (niveau de rétroaction)

L'augmentation de la valeur numérique affichée augmente l'écho. On peut sélectionner un niveau de "OFF" (0) à "7".

#### Pour régler le niveau de rétroaction

Appuyer deux fois sur **EFFECT**, puis tourner **MULTI JOG** pour sélectionner un des niveaux dans les huit secondes.

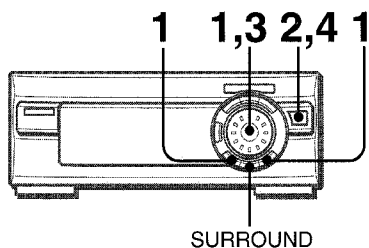


#### Pour annuler le système SURROUND DSP

Appuyer une ou deux fois sur **SURROUND** de manière que "DSP OFF" apparaisse sur l'affichage du récepteur stéréo.

## MEMORISATION DU NOUVEAU SON SURROUND DSP

Jusqu'à cinq sons SURROUND DSP peuvent être mémorisés avec les modes manuels M1 - M5.

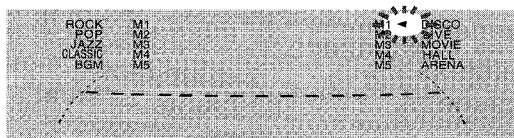


### 1 Régler un nouveau son SURROUND DSP avec DELAY TIME, EFFECT et MULTI JOG.

Voir la partie "REGLAGE MANUEL D'UN NOUVEAU SON SURROUND DSP".

### 2 Dans les huit secondes, appuyer sur ENTER.

La flèche "◀" clignote pour sélectionner un des modes manuels M1 - M5.



- Si cette étape n'est pas terminée dans les huit secondes, appuyer d'abord sur **SURROUND** pour afficher "DSP ON" sur le récepteur stéréo. Ensuite, appuyer sur **ENTER** dans les huit secondes.

### 3 Dans les huit secondes, tourner MULTI JOG pour sélectionner un des modes manuels M1 - M5.

### 4 Dans les huit secondes, appuyer sur ENTER.

Le nouveau son SURROUND DSP est mémorisé.

#### Pour sélectionner le son SURROUND DSP mémorisé

Appuyer sur **SURROUND**, puis tourner **MULTI JOG** pour sélectionner un des modes manuels M1 - M5 dans les quatre secondes.

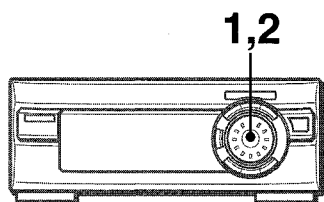
A ce moment, le mode d'égaliseur graphique correspondant est sélectionné automatiquement.

#### REMARQUE

Quand le niveau de microphone ou d'écho est changé (voir page 18), le mode SURROUND DSP est automatiquement annulé.

## FONCTION GENERATION DE RYTHME (BEAT MASTER)

On peut superposer des rythmes aux sources de musique.



Voir les informations affichées sur le récepteur stéréo.

### POUR SELECTIONNER UN TYPE DE RYTHME

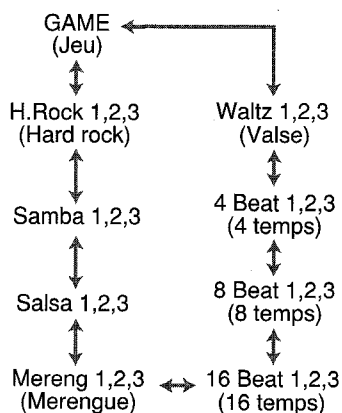
#### 1 Appuyer sur MULTI JOG.

Un des types de rythme est affiché.



#### 2 Tourner MULTI JOG pour sélectionner le type de rythme souhaité.

Le type de rythme est affiché de manière cyclique comme suit.



#### Pour changer le tempo du type de rythme sélectionné

Appuyer une fois sur **RHYTHM** tandis que le type de rythme sélectionné est affiché, puis tourner **MULTI JOG** pour sélectionner le tempo du rythme.

Le tempo du rythme peut être changé de 90 à 160.



#### Pour changer le niveau du volume du type de rythme sélectionné

Appuyer deux fois sur **RHYTHM** tandis que le type de rythme sélectionné est affiché, puis tourner **MULTI JOG** pour sélectionner le niveau du volume.

Le niveau du volume peut être changé de 1 à 4.



#### Pour annuler la fonction génération de rythme

Appuyer sur **MULTI JOG**.

#### Pour redémarrer la fonction génération de rythme

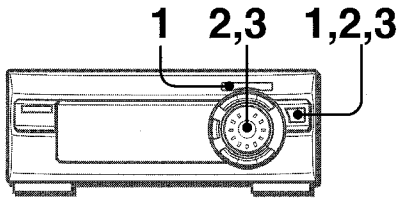
Appuyer de nouveau sur **MULTI JOG**. Le type de rythme sélectionné en dernier démarre.

#### REMARQUE

- Quand le type GAME est sélectionné, le tempo et le niveau du volume du rythme ne peuvent pas être changés.
- Les signaux sortis par les prises LINE OUT sont affectés par la fonction génération de rythme.

Les données d'onde acoustique intégrées à cet appareil sont la propriété, dont le droit de reproduction est réservé, de Yamaha Corporation; et Aiwa possède la licence de Yamaha Corporation.

## REGLAGE DE L'HORLOGE



**1 Appuyer une fois sur CLOCK/TIMER, puis appuyer sur ENTER dans les six secondes.**



**2 Tourner MULTI JOG pour spécifier les heures, puis appuyer sur ENTER.**

Les heures arrêtent de clignoter et les minutes se mettent à clignoter.

**3 Tourner MULTI JOG pour spécifier les minutes, puis appuyer sur ENTER.**

Les minutes arrêtent de clignoter sur l'affichage et l'horloge démarre à 00 seconde.

### Pour passer au format de 24 heures

Appuyer sur **CLOCK/TIMER** puis appuyer sur **MULTI JOG** dans les six secondes.

Pour revenir au format de 12 heures, procéder de la même manière.

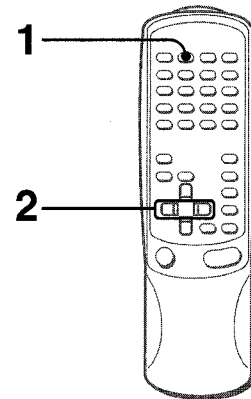
### Si l'affichage de l'horloge clignote

Ceci est dû à une interruption d'alimentation. L'heure courante doit être réglée de nouveau.

Si l'alimentation est interrompue pendant plus d'environ 24 heures, tous les réglages mémorisés après l'achat doivent être faits de nouveau.

- On peut aussi utiliser **CLOCK** de la télécommande à la place de **CLOCK/TIMER**.
- On peut aussi utiliser **IISET** de la télécommande à la place de **ENTER**.
- On peut aussi utiliser **◀◀** ou **▶▶** de la télécommande à la place de **MULTI JOG**.

## REGLAGE DE LA MINUTERIE D'ARRÊT

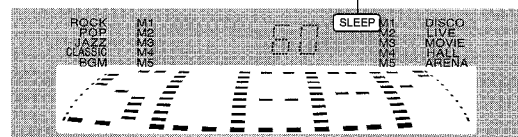


L'appareil peut être mis hors tension automatiquement au bout d'un temps spécifié.

Utiliser la télécommande.

**1 Appuyer sur SLEEP.**

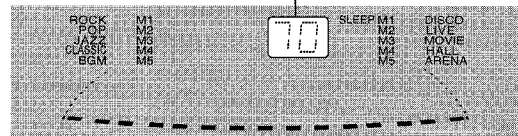
"SLEEP" apparaît.



**2 Dans les quatre secondes, appuyer sur ◀◀ ou ▶▶ pour spécifier le temps jusqu'à la mise hors tension.**

A chaque pression sur la touche, le temps change entre 5 et 240 minutes par pas de 5 minutes.

Temps spécifié



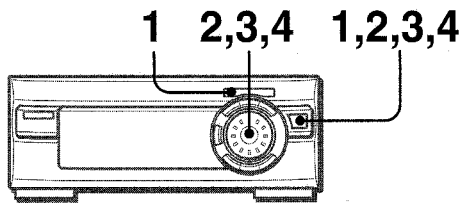
**Pour contrôler le temps restant jusqu'à la mise hors tension**

Appuyer une fois sur **SLEEP**. Le temps restant est affiché pendant quatre secondes.

**Pour annuler la minuterie d'arrêt**

Appuyer deux fois sur **SLEEP** de manière que "SLEEP" disparaisse de l'affichage.

# REGLAGE DE LA MINUTERIE



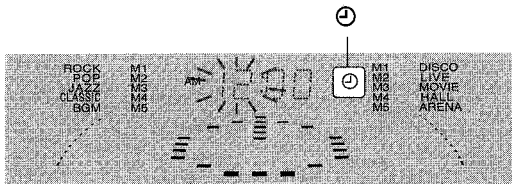
Avec la minuterie intégrée, l'appareil peut être mis sous tension chaque jour à une heure spécifiée.

## Préparation

S'assurer que l'horloge est réglée correctement.

**1 Appuyer deux fois sur CLOCK/TIMER pour afficher ☉, puis appuyer sur ENTER dans les six secondes.**

☉ est affiché et les heures clignotent.



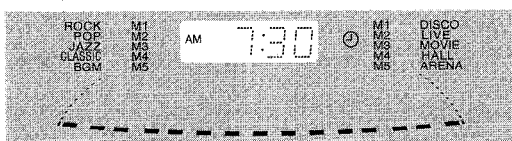
## REMARQUE

Si on n'appuie pas sur **ENTER** dans les six secondes, une autre opération peut démarrer.

Quand on utilise la télécommande, appuyer une fois sur **TIMER** de manière que ☉ apparaisse sur l'affichage, puis appuyer sur **IISET** dans les six secondes.

**2 Spécifier les heures en tournant MULTI JOG, puis appuyer sur ENTER.**

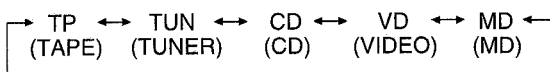
**Procéder de la même manière pour spécifier les minutes.**



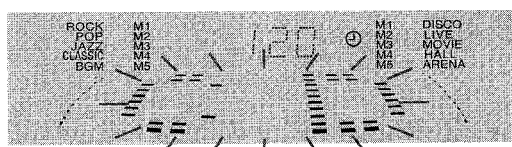
Une fois que l'on a spécifié l'heure de la mise sous tension par la minuterie, un des noms de source clignote sur l'affichage.

**3 Tourner MULTI JOG pour sélectionner une source, puis appuyer sur ENTER.**

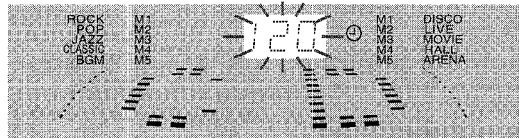
La source est affichée comme suit.



• Si on sélectionne TUNER, la gamme ne peut pas être sélectionnée à cette étape.



**4 Sélectionner la durée de la mise sous tension par la minuterie avec MULTI JOG, puis appuyer sur ENTER.**



La durée de la mise sous tension par la minuterie peut être réglée entre 5 et 240 minutes par pas de 5 minutes.

**5 Préparer la source.**

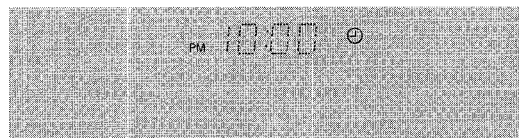
Pour écouter un disque compact, mettre le disque à lire en premier en place sur le plateau 1.

Pour écouter une cassette, la mettre en place dans la platine 1 ou 2.

Pour écouter la radio, accorder sur une station.

**6 Après avoir réglé le volume et la tonalité, appuyer sur POWER du récepteur stéréo pour mettre l'appareil hors tension.**

☉ reste sur l'affichage une fois que l'alimentation est coupée (mode attente de minuterie).



Quand l'heure de la mise sous tension par la minuterie est atteinte, l'appareil se met sous tension et commence la lecture sur la source sélectionnée.

Quand on coupe l'alimentation avec le niveau du volume réglé à 21 ou plus, ce niveau est automatiquement réglé à 20.

**Pour contrôler l'heure et la source spécifiées**

Appuyer deux fois sur **CLOCK/TIMER** (ou une fois sur **TIMER** de la télécommande). L'heure de la mise sous tension par la minuterie, le nom de la source sélectionnée et la durée de la mise sous tension par la minuterie sont affichés pendant six secondes.

**Pour annuler provisoirement le mode attente de minuterie**  
Appuyer sur **CLOCK/TIMER** (ou sur **TIMER** de la télécommande) à plusieurs reprises jusqu'à ce que ☉ ou ☉REC disparaisse de l'affichage.

Pour rétablir le mode attente de minuterie, appuyer sur **CLOCK/TIMER** (ou sur **TIMER** de la télécommande) à plusieurs reprises pour afficher ☉ ou ☉REC.

**Utilisation de l'appareil tandis que la minuterie est réglée**  
On peut utiliser l'appareil normalement après avoir réglé la minuterie.

Avant de couper l'alimentation, effectuer l'étape 5 pour préparer la source, et régler le volume et la tonalité.

## REMARQUE

- La lecture et l'enregistrement commandés par la minuterie ne commenceront pas si l'alimentation n'est pas coupée.
- L'appareil connecté ne peut pas être mis sous et hors tension par la minuterie intégrée de l'appareil principal. Utiliser une minuterie externe.

## ENREGISTREMENT COMMANDE PAR LA MINUTERIE

L'enregistrement commandé par la minuterie est applicable seulement aux sources TUNER et VIDEO/AUX (avec une minuterie externe).

Appuyer trois fois sur **CLOCK/TIMER** de manière que **⊖REC** apparaisse sur l'affichage, puis appuyer sur **ENTER** dans les six secondes. Effectuer les étapes de la partie "REGLAGE DE LA MINUTERIE" à partir de l'étape 2 et, après l'étape 5, insérer la cassette à enregistrer dans la platine 2.

### Quand on utilise la télécommande

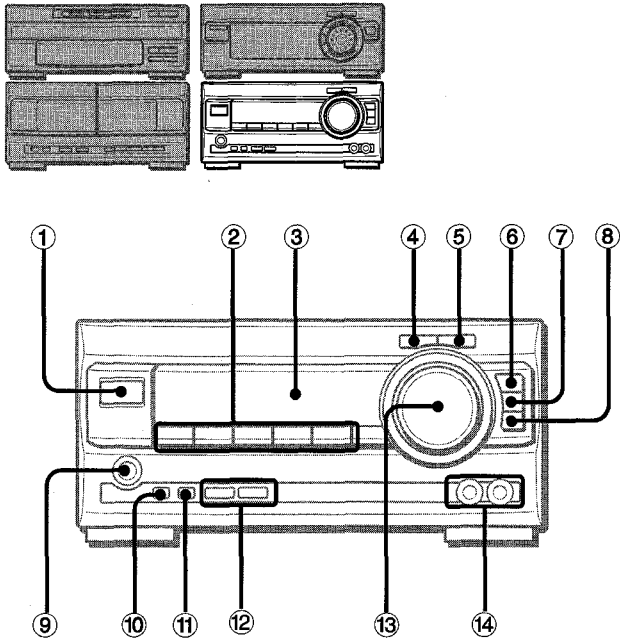
Appuyer deux fois sur **TIMER** de manière que **⊖ REC** apparaisse sur l'affichage, puis appuyer sur **||SET** dans les six secondes.

### Pour contrôler l'heure et la source spécifiées

Appuyer trois fois sur **CLOCK/TIMER** (ou appuyer deux fois sur **TIMER** de la télécommande). L'heure de la mise sous tension par la minuterie, le nom de la source sélectionnée et la durée de la mise sous tension par la minuterie sont affichés pendant six secondes.

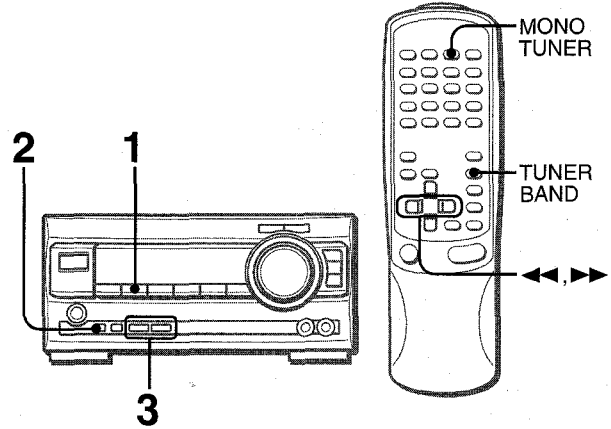
- 
- On peut aussi utiliser **TIMER** de la télécommande à la place de **CLOCK/TIMER**.
  - On peut aussi utiliser **||SET** de la télécommande à la place de **ENTER**.
  - On peut aussi utiliser **◀◀** ou **▶▶** de la télécommande à la place de **MULTI JOG**.

NOMENCLATURE

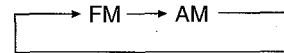


Nom	page
1 POWER	6,17,32
2 TAPE DECK1/2	6,24-27
TUNER BAND	6,16,17
VIDEO/AUX	6,30
CD	6,20,28,29
MD	6,30
3 Fenêtre d'affichage	
4 T-BASS	7
5 BBE	7
6 KARAOKE	19
7 ECHO	18
8 MIC	18
9 PHONES	6
10 TUNING/PRESET	16,17
11 SET	17
12 ∇, ▲ TUNING/PRESET	7,16,17
13 VOLUME	7,18
14 MIC 1,2	18

RECEPTION RADIO

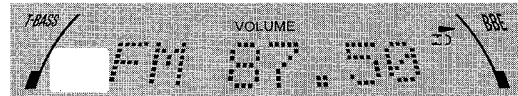


1 Appuyer sur TUNER BAND à plusieurs reprises pour sélectionner la gamme souhaitée.



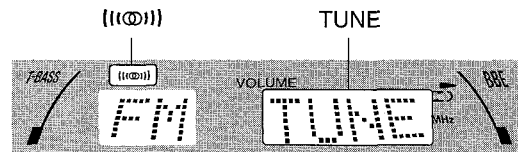
Quand on appuie sur TUNER BAND alors que l'alimentation est coupée, la mise sous tension est faite directement.

2 Appuyer une ou deux fois sur TUNING/PRESET de manière que "PRESET NO." disparaisse de l'affichage.



3 Appuyer sur TUNING ∇ ou TUNING ▲ pour sélectionner une station.

A chaque pression sur la touche, la fréquence change. Quand une station est reçue, "TUNE" est affiché pendant deux secondes. Pendant la réception FM stéréo, ((Ⓜ)) est affiché.



Quand on utilise la télécommande, appuyer sur ◀◀ ou ▶▶.

Pour rechercher une station rapidement (Recherche automatique)

A l'étape 3, tenir ∇ ou ▲ enfoncée jusqu'à ce que la fréquence commence à changer rapidement. Après l'accord sur une station, la recherche s'arrête. Pour arrêter la recherche automatique manuellement, appuyer sur ∇ ou ▲.

• La recherche automatique risque de ne pas s'arrêter aux stations dont les signaux sont très faibles.

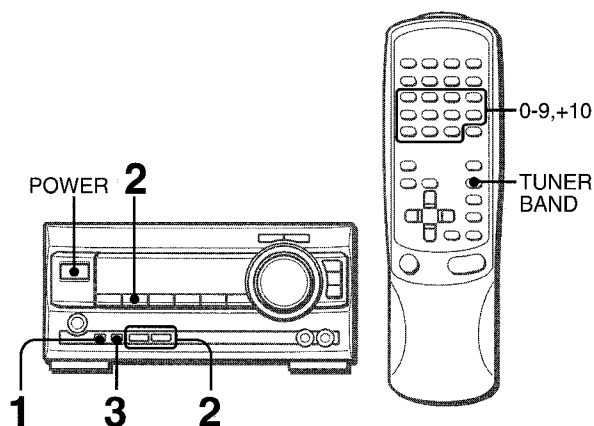
Quand une émission FM stéréo contient des parasites

Appuyer sur MONO TUNER de la télécommande de manière que "MONO" apparaisse sur l'affichage.

Les parasites sont réduits, mais la réception est monophonique. Pour rétablir la réception stéréophonique, appuyer sur MONO TUNER de manière que "STEREO" apparaisse.

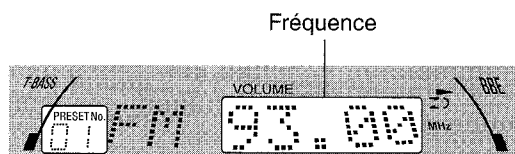


## MEMORISATION DE STATIONS



L'appareil peut mémoriser un total de 32 stations. Quand une station est mémorisée, un numéro de préréglage lui est affecté. Pour accorder directement sur une station mémorisée, utiliser le numéro de préréglage correspondant.

- 1 Appuyer une ou deux fois sur TUNING/PRESET de manière que "PRESET NO." disparaisse de l'affichage.**
- 2 Appuyer sur TUNER BAND pour sélectionner une gamme, puis appuyer sur TUNING  $\nabla$  ou TUNING  $\blacktriangle$  pour sélectionner une station.**
- 3 Appuyer sur SET pour mémoriser la station.**  
Un numéro de préréglage est affecté à chaque station à partir de 1 dans l'ordre consécutif pour chaque gamme.



Numéro de préréglage

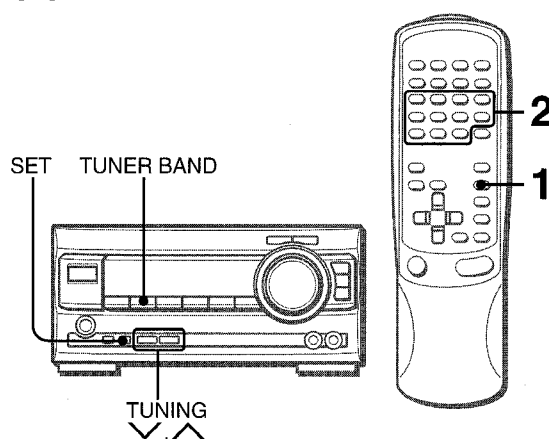
- 4 Répéter les étapes 1 à 3.**  
La station suivante ne sera pas mémorisée si 32 stations sont déjà mémorisées pour toutes les gammes.

### REMARQUE

Si l'alimentation est interrompue pendant plus d'environ 24 heures, il faudra refaire la mémorisation des stations.

## ACCORD PAR NUMERO DE PREREGLAGE

Utiliser la télécommande pour sélectionner le numéro de préréglage directement.



- 1 Appuyer sur TUNER BAND pour sélectionner une gamme.**
- 2 Sélectionner un numéro de préréglage à l'aide des touches numériques 0-9 et +10.**  
"PRESET NO." apparaît sur l'affichage.  
*Exemple:*  
Pour sélectionner le numéro de préréglage 20, appuyer sur +10, +10 et 0.  
Pour sélectionner le numéro de préréglage 15, appuyer sur +10 et 5.

### Sélection d'un numéro de préréglage sur l'appareil principal

- 1 Appuyer sur TUNER BAND pour sélectionner une gamme.**
- 2 Appuyer sur TUNING/PRESET à plusieurs reprises de manière que "PRESET NO." apparaisse sur l'affichage.**
- 3 Appuyer sur TUNING  $\nabla$  ou TUNING  $\blacktriangle$  pour sélectionner une station.**

### Pour supprimer une station mémorisée

Sélectionner le numéro de préréglage de la station à supprimer. Ensuite, appuyer sur **SET**. La fréquence clignote. Ensuite, appuyer de nouveau sur **SET** dans les quatre secondes. Les numéros de préréglage suivants de toutes les autres stations de la gamme sont diminués d'une unité.

### Pour changer l'intervalle d'accord AM

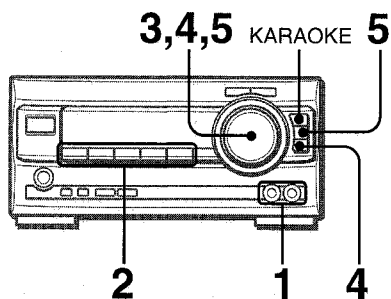
Le réglage par défaut de l'intervalle d'accord AM est de 10 kHz par pas. Si on utilise cet appareil dans une région où le système d'allocation de fréquences est de 9 kHz par pas, changer l'intervalle d'accord.

Appuyer sur **POWER** tout en appuyant sur **TUNER BAND**. Pour rétablir l'intervalle initial, procéder de la même façon.

### REMARQUE

Quand l'intervalle d'accord AM est changé, toutes les stations mémorisées sont supprimées. Une nouvelle mémorisation est nécessaire.

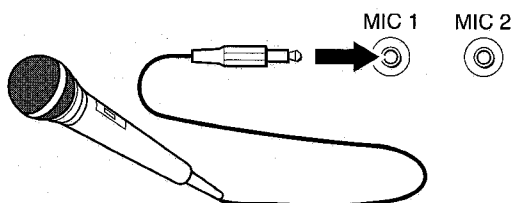
## MIXAGE AVEC MICROPHONE (KARAOKE)



Pour chanter avec accompagnement par des sources de musique, on peut brancher deux microphones (pas fournis) à cet appareil.

Utiliser des microphones à mini-fiches (3,5 mm  $\varnothing$ ).

### 1 Brancher les microphones aux prises MIC 1 et MIC 2.



### 2 Appuyer sur une des touches de fonction pour sélectionner la source à mixer, et mettre cette source en lecture.

### 3 Régler le volume et la tonalité de la source.

### 4 Appuyer sur MIC puis tourner VOLUME dans les quatre secondes pour régler le volume de microphone.

Le volume de microphone peut être sélectionné de 1 à MAX (7) ou OFF (annulation).

Le volume des deux microphones est réglé simultanément.

### 5 Appuyer sur ECHO puis tourner VOLUME dans les quatre secondes pour régler le niveau d'écho.

Le niveau d'écho peut être sélectionné de 1 à MAX (7) ou OFF (annulation).

#### Pour changer le temps de retard de l'écho

Tenir **ECHO** enfoncée tandis que l'écho est en service.

Les réglages "ECHO-L" (Long) et "ECHO-M" (Moyen) sont affichés alternativement. Relâcher la touche quand le réglage souhaité est affiché.

#### Pour enregistrer le son de microphone mixé avec la source sonore

Suivre la procédure d'enregistrement à partir de la source (voir page 26).

**SYNC DUB** n'est pas utilisable pour l'enregistrement de mixage.

#### Quand on n'utilise pas les microphones

Régler le volume de microphone et le niveau d'écho sur OFF et débrancher les microphones des prises **MIC**.

#### REMARQUE

- Quand on change le volume de microphone ou le niveau d'écho, le mode **SURROUND** est automatiquement annulé.
- Si on tient un microphone trop près d'une enceinte, un bruit de hurlement risque de se produire. Le cas échéant, éloigner le microphone de l'enceinte ou baisser le volume de microphone.
- Si le son d'un microphone est extrêmement fort, il risque d'être déformé. Le cas échéant, baisser le volume de microphone.
- Quand la fonction est changée, les réglages de volume de microphone et de niveau d'écho sont annulés.

#### Microphones recommandés

L'utilisation de microphones de type unidirectionnel est recommandée pour éviter le hurlement. Pour plus de détails, contacter le distributeur Aiwa local.

## FONCTIONS VOCAL FADER/MULTIPLEX

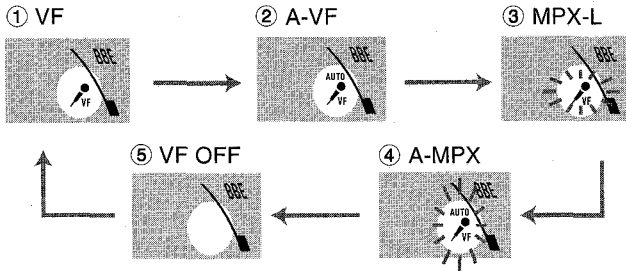
Cet appareil peut utiliser des disques ou cassettes comme sources Karaoke.

Utiliser la fonction Vocal Fader pour des disques ou cassettes ordinaires.

Utiliser la fonction Multiplex pour des disques ou cassettes multi-audio.

**Appuyer sur KARAOKE à plusieurs reprises pour sélectionner la fonction Vocal Fader ou Multiplex.**

A chaque pression sur **KARAOKE**, une de ces fonctions est sélectionnée de manière cyclique.



### ① VF (Vocal Fader)

La partie vocale devient plus douce que l'accompagnement.

### ② A-VF (Auto Vocal Fader)

La partie vocale devient plus douce seulement pendant qu'il y a une entrée audio par un microphone.

### ③ MPX-L (Multiplex)

Seul le son du canal gauche est audible par les deux enceintes et le son du canal droit est atténué.

### ④ A-MPX (Auto Multiplex)

Le son du canal gauche est audible par les deux enceintes, et le son du canal droit est atténué seulement pendant qu'il y a une entrée audio par un microphone.

### ⑤ VF-OFF (Annulation)

#### Pour changer le réglage du retard de la fonction Auto Vocal Fader ou Auto Multiplex

La partie vocale atténuée peut être rétablie plus rapidement. Quand la fonction Auto Vocal Fader ou Auto Multiplex est sélectionnée, "A-VF" ou "A-MPX" est affiché pendant quatre secondes puis l'affichage passe au nom de la fonction sélectionnée. Une fois que le nom de la fonction sélectionnée est affiché, tenir **KARAOKE** enfoncée jusqu'à ce que **FAST** soit affiché.

Pour revenir au réglage initial, sélectionner **SLOW**.

Quand l'alimentation est coupée, **SLOW** est rétabli.

#### Pour changer le canal audible de la fonction Multiplex

Seul le son du canal droit peut être rendu audible par les deux enceintes.

Quand la fonction Multiplex est sélectionnée, "MPX-L" est affiché pendant quatre secondes puis l'affichage passe au nom de la fonction sélectionnée. Une fois que le nom de la fonction sélectionnée est affiché, tenir **KARAOKE** enfoncée jusqu'à ce que "MPX-R" soit affiché.

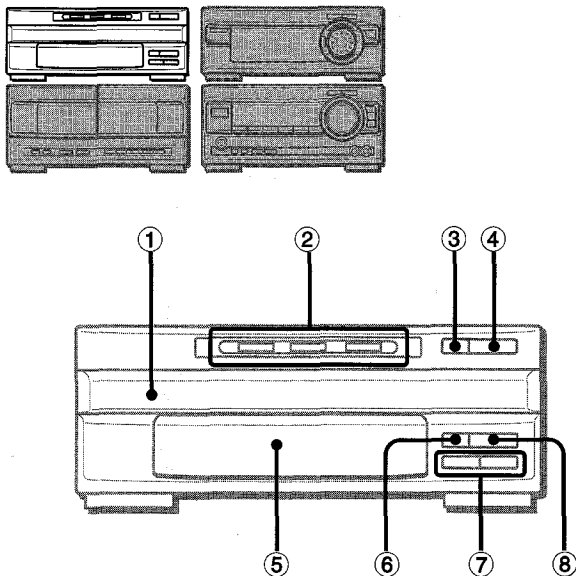
Pour revenir au réglage initial, sélectionner "MPX-L".

Quand l'alimentation est coupée, "MPX-L" est rétabli.

## REMARQUE

- Les fonctions Karaoke risquent de ne pas fonctionner correctement avec les disques compacts ou cassettes suivants.
  - Disques ou cassettes à son monophonique
  - Disques ou cassettes enregistrés avec de forts échos
  - Disques ou cassettes avec la partie vocale enregistrée sur la droite ou la gauche du spectre sonore
- Quand la fonction Karaoke est en service, le son est sorti en monophonie.
- Quand la fonction est changée, la fonction Karaoke est annulée.

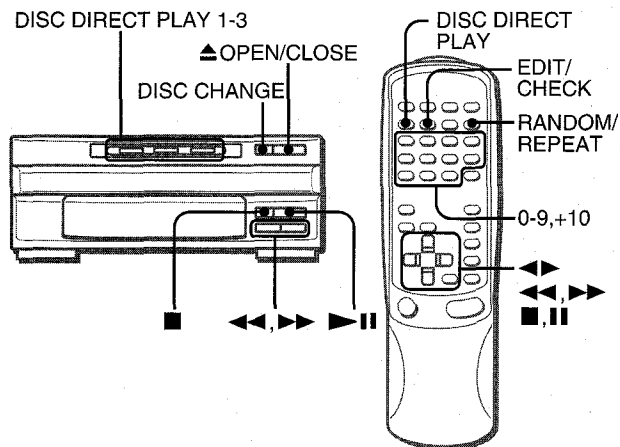
NOMENCLATURE



Nom	page
1 Compartiment à disques	
2 DISC DIRECT PLAY 1-3	21,28,29
3 DISC CHANGE	20,21
4 ▲OPEN/CLOSE	20,21
5 Fenêtre d'affichage	
6 ■STOP	21,23
7 ◀◀, ▶▶ SKIP/SEARCH	21,23
8 ▶  PLAY/PAUSE	21,22

LECTURE DE DISQUES COMPACTS

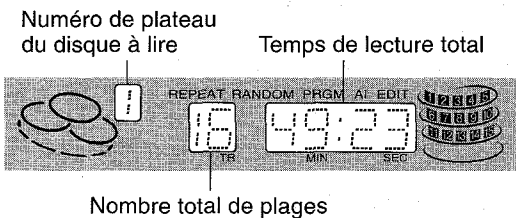
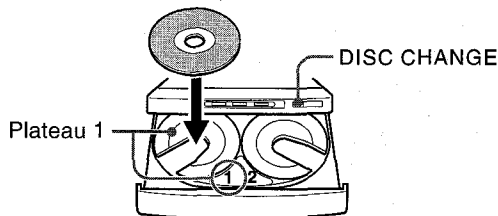
MISE EN PLACE DE DISQUES



Appuyer sur CD, puis appuyer sur ▲OPEN/CLOSE pour ouvrir le compartiment à disques. Mettre le(s) disque(s) en place avec le côté portant l'étiquette en haut.

Pour lire un ou deux disques, mettre les disques sur les plateaux 1 et 2.

Pour lire trois disques, appuyer sur DISC CHANGE pour faire tourner les plateaux après avoir mis deux disques en place. Mettre en place le troisième disque sur le plateau 3. Fermer le compartiment à disques en appuyant sur ▲OPEN/CLOSE.



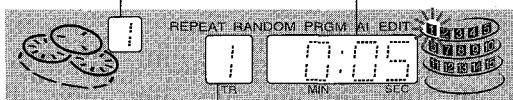
## LECTURE DE DISQUES

Mettre des disques en place.

**Pour lire tous les disques situés dans le compartiment, appuyer sur ►IIPLAY/PAUSE (ou sur ◀▶PLAY de la télécommande).**

La lecture commence par le disque du plateau 1.

Numéro du disque en cours de lecture      Temps de lecture écoulé

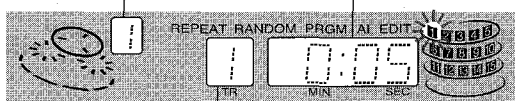


Numéro de la plage en cours de lecture

**Pour lire un disque seulement, appuyer sur une des touches DISC DIRECT PLAY 1-3.**

Le disque sélectionné est lu une fois.

Numéro du disque sélectionné      Temps de lecture écoulé



Numéro de la plage en cours de lecture

- Quand on appuie une fois de plus sur la touche sélectionnée, tous les disques situés dans le compartiment sont lus une fois sans interruption.

**Pour démarrer la lecture avec la télécommande**

Appuyer sur **DISC DIRECT PLAY**, puis appuyer sur une des touches numériques 1-3 dans les trois secondes pour sélectionner un disque.

**Pour arrêter la lecture, appuyer sur ■STOP (ou sur ■CLEAR de la télécommande).**

**Pour mettre la lecture en pause, appuyer sur ►IIPLAY/PAUSE (ou sur IISET de la télécommande).** Pour reprendre la lecture, appuyer de nouveau sur cette touche.

**Pour rechercher un point particulier pendant la lecture, tenir ◀◀ ou ▶▶ enfoncée jusqu'à ce que le point souhaité soit atteint.**

**Pour sauter au début d'une plage pendant la lecture, appuyer sur ◀◀ ou ▶▶ à plusieurs reprises.**

**Pour enlever des disques, appuyer sur ▲OPEN/CLOSE.**

**Pour démarrer la lecture quand l'alimentation est coupée (fonction de lecture directe)**

Appuyer sur **CD** du récepteur stéréo. La mise sous tension est faite et la lecture du (des) disque(s) en place commence.

Quand on appuie sur **▲OPEN/CLOSE** ou **DISC CHANGE**, la mise sous tension est aussi faite et le compartiment à disques est ouvert.

**Pour vérifier le temps restant**

Pendant la lecture, appuyer sur **EDIT/CHECK** de la télécommande. Le temps restant jusqu'à ce que toutes les plages du disque soient lues est affiché. Pour rétablir l'affichage du temps de lecture, procéder de la même manière.

**Sélection d'une plage avec la télécommande**

1 Appuyer sur **DISC DIRECT PLAY**, puis appuyer sur une des touches numériques 1-3 dans les trois secondes pour sélectionner un disque.

2 A l'aide des touches numériques 0-9 et +10, sélectionner une plage.

Exemple:

Pour sélectionner la vingt-cinquième plage, appuyer sur **+10, +10 et 5**.

Pour sélectionner la dixième plage, appuyer sur **+10 et 0**.

La lecture démarre à la plage sélectionnée et continue jusqu'à la fin du disque.

**Changement de disques pendant la lecture**

Pendant qu'un disque est en lecture, les autres disques peuvent être changés sans interrompre de la lecture.

1 Appuyer sur **DISC CHANGE**.

2 Enlever les disques et les remplacer par d'autres disques.

3 Appuyer sur **▲OPEN/CLOSE** pour fermer le compartiment à disques.

### REMARQUE

- Pour mettre un disque de 8 cm en place, le poser dans le renforcement circulaire du plateau.
- Ne pas mettre plus d'un disque compact sur un plateau.
- Ne pas incliner l'appareil avec des disques en place. Cela pourrait provoquer des pannes.
- Ne pas utiliser de disques compacts de forme irrégulière (par exemple, en forme de cœur ou de forme octogonale). Cela pourrait provoquer des pannes.

## LECTURE ALEATOIRE/REPETEE

Utiliser la télécommande.

**Lecture aléatoire**

Toutes les plages du disque sélectionné ou tous les disques peuvent être lus dans un ordre aléatoire.

**Lecture répétée**

Un seul disque ou tous les disques peuvent être lus à plusieurs reprises.

**Appuyer sur RANDOM/REPEAT de la télécommande.**

A chaque pression sur cette touche, la fonction peut être sélectionnée de manière cyclique.

**Lecture aléatoire** — "RANDOM" est mis en relief sur l'affichage.

**Lecture répétée** — "REPEAT" est mis en relief sur l'affichage.

**Lecture aléatoire/répétée** — "RANDOM" et "REPEAT" sont mis en relief sur l'affichage.

**Annulation** — Les indicateurs qui en relief "RANDOM" et "REPEAT" disparaissent de l'affichage.

**F**

**Pour lire tous les disques, appuyer sur ◀▶PLAY (ou sur ►IIPLAY/PAUSE du lecteur de disques compacts) pour commencer la lecture.**

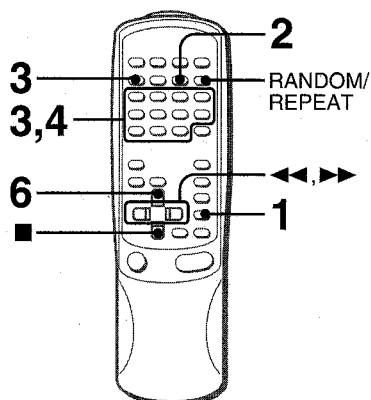
**Pour lire un seul disque, appuyer sur DISC DIRECT PLAY puis appuyer sur une des touches numériques 1-3 dans les trois secondes (ou appuyer sur une des touches DISC DIRECT PLAY 1-3 du lecteur de disques compacts) pour le sélectionner.**

### REMARQUE

Pendant la lecture aléatoire, il n'est pas possible de sauter à la plage précédemment lue avec ◀◀.

# LECTURE PROGRAMMÉE

On peut programmer jusqu'à 30 plages des disques en place.



Utiliser la télécommande.

**1 Appuyer sur CD et mettre les disques en place.**

**2 Appuyer deux fois sur PRGM en mode arrêt.**

"PRGM" est mis en relief.



• Quand on appuie une fois sur **PRGM** à l'étape 2, l'appareil passe au PROGRAMME DE KARAOKE (voir page 23).

**3 Appuyer sur DISC DIRECT PLAY, puis appuyer sur une des touches numériques 1-3 dans les trois secondes pour sélectionner un disque.**

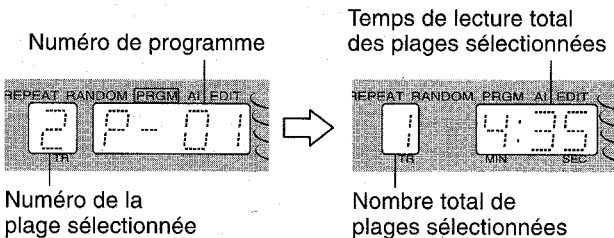
Passer à l'étape suivante quand le plateau arrête de tourner.

**4 A l'aide des touches numériques 0-9 et +10, programmer une plage.**

Exemple:

Pour sélectionner la vingt-cinquième plage, appuyer sur **+10**, **+10** et **5**.

Pour sélectionner la dixième plage, appuyer sur **+10** et **0**.



**5 Répéter les étapes 3 et 4 pour programmer d'autres plages.**

**6 Appuyer sur ◀▶ (ou sur ▶▶ IIPLAY/PAUSE du lecteur de disques compacts) pour démarrer la lecture.**

## Pour contrôler le programme

A chaque pression sur ◀▶ ou ▶▶ en mode arrêt, un numéro de disque, un numéro de plage et un numéro de programme sont affichés.

## Pour effacer le programme

Appuyer sur ■STOP (ou sur ■CLEAR de la télécommande) en mode arrêt.

## Pour ajouter des plages au programme

Répéter les étapes 3 et 4 en mode arrêt. La plage sera programmée à la suite de la dernière.

## Pour changer les plages programmées

Effacer le programme puis répéter toutes les étapes.

## Pour lire les plages programmées à plusieurs reprises

Après avoir programmé les plages, appuyer sur **RANDOM/REPEAT**.

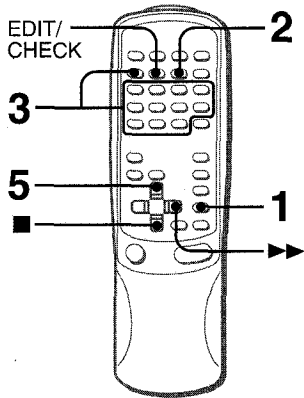
"REPEAT" est mis en relief sur l'affichage.

## REMARQUE

Pendant la lecture programmée, on ne peut pas utiliser la lecture aléatoire, contrôler le temps restant ou sélectionner un disque ou une plage.

# PROGRAMME DE KARAOKE

Avant ou pendant la lecture de disque compact, on peut réserver jusqu'à quinze plages à lire après la plage courante. Chaque réservation est effacée quand sa lecture est terminée.



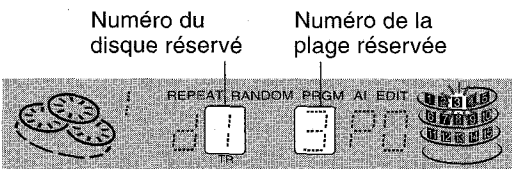
Utiliser la télécommande.

**1 Appuyer sur CD et mettre les disques en place dans le lecteur de disques compacts.**

**2 Appuyer une fois sur PRGM en mode arrêt.**



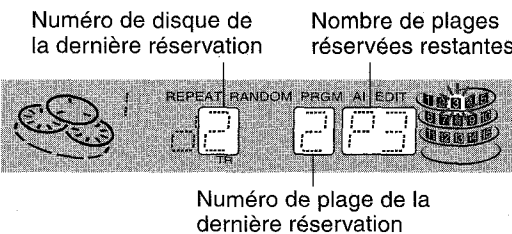
**3 Appuyer sur DISC DIRECT PLAY, puis appuyer sur une des touches numériques 1-3 dans les trois secondes pour sélectionner un disque. Ensuite, programmer une plage à l'aide des touches numériques 0-9 et +10.**



**4 Répéter l'étape 3 pour réserver d'autres plages.**

**5 Appuyer sur ◀▶ (ou sur ▶IIPLAY/PAUSE du lecteur de disques compacts) pour démarrer la lecture.**

Une fois qu'une plage est lue, elle est effacée du programme.



**Pour ajouter une réservation pendant la lecture**

Répéter l'étape 3.

**Pour contrôler les plages réservées**

Appuyer sur **EDIT/CHECK** à plusieurs reprises. A chaque pression sur cette touche, un numéro de disque et un numéro de plage sont affichés dans l'ordre réservé.

**Pour arrêter la lecture**

Appuyer sur **STOP** (ou sur **CLEAR** de la télécommande). Quand on appuie sur **◀▶** (ou sur **▶IIPLAY/PAUSE** du lecteur de disques compacts) pour redémarrer, la lecture redémarre à la dernière plage lue.

**Pour sauter une plage en cours**

Appuyer sur **▶▶**. La plage sautée est effacée du programme.

**Pour effacer toutes les réservations**

Appuyer sur **▶▶** à plusieurs reprises jusqu'à ce que "d P0" soit affiché.



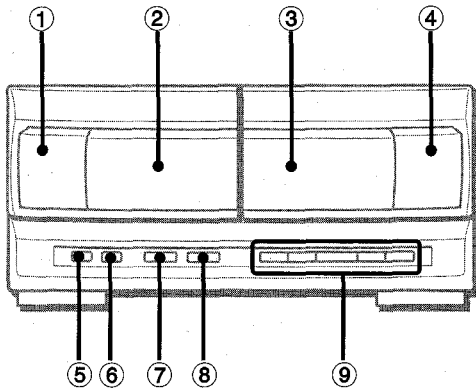
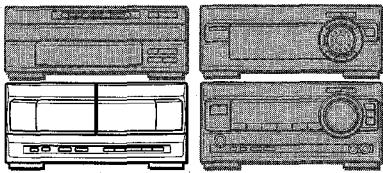
Pour annuler le programme de Karaoke, appuyer une fois de plus sur cette touche. L'affichage repasse à celui de la lecture de disque compact.

## REMARQUE

- Si le numéro de plage réservé n'existe pas sur le disque sélectionné, l'appareil arrête la lecture et l'affichage clignote. Dans ce cas, appuyer sur **▶▶** pour sauter l'erreur. Ensuite, appuyer sur **◀▶** (ou sur **▶IIPLAY/PAUSE** du lecteur de disques compacts) pour démarrer la lecture à la plage réservée suivante.
- Quand on appuie plusieurs fois sur **PRGM** à l'étape 2, **PRGM** est mis en relief et l'appareil passe au mode lecture programmée de disque compact (voir page 22). Pour annuler la lecture programmée, appuyer sur **STOP** (ou sur **CLEAR** de la télécommande).

Pour utiliser des microphones et la fonction Karaoke, voir la partie "MIXAGE AVEC MICROPHONE (KARAOKE)", page 18.

**NOMENCLATURE**



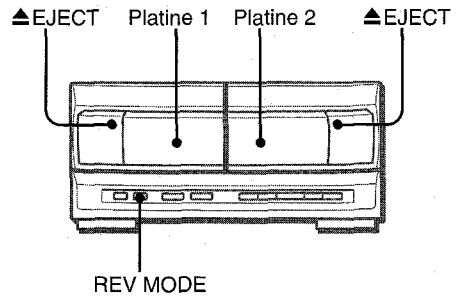
Nom page

① ▲EJECT (pour la platine 1)	
② Platine 1	
③ Platine 2	
④ ▲EJECT (pour la platine 2)	
⑤ DOLBY NR	25-29
⑥ REV MODE (DECK 2)	24-26
⑦ SYNC DUB NORM/HIGH	27
⑧ ●REC/REC MUTE	26-29
⑨    PAUSE	25,26
◀▶, ▶▶ IMS	25
◀▶ PLAY/DIR	25
■ STOP	25-29

Les informations concernant le magnétocassette apparaissent sur l'affichage du récepteur stéréo.

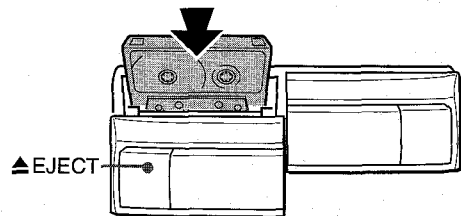
**LECTURE DE CASSETTES**

**MISE EN PLACE DE CASSETTES**



- Sur la platine 1, les cassettes sont toujours lues sur les deux faces.  
Sur la platine 2, on peut sélectionner un mode d'inversion pour lire une face ou les deux.
- Pour la lecture, utiliser des cassettes de type I (normales), de type II (haute polarisation/CrO<sub>2</sub>) ou de type IV (métal).

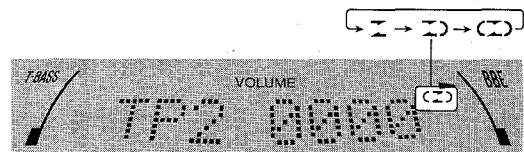
Appuyer sur ▲EJECT pour ouvrir le porte-cassette.



Insérer une cassette avec le côté exposé du ruban magnétique en bas. Pousser le porte-cassette pour le fermer.

Pour sélectionner un mode d'inversion (platine 2 seulement)

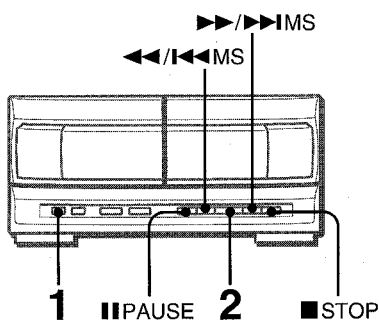
A chaque pression sur REV MODE, le mode d'inversion change.



- Pour lire une face seulement, sélectionner .
- Pour lire de la face avant à la face arrière une fois seulement, sélectionner .
- Pour lire les deux faces à plusieurs reprises, sélectionner .
- Quand il y a des cassettes en place dans les deux platines, sur l'affichage signifie "Lecture continue".

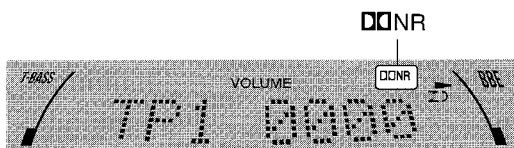


## LECTURE D'UNE CASSETTE



Mettre une cassette en place.

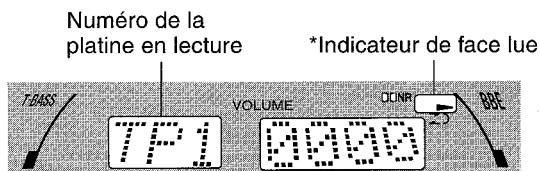
- 1 Appuyer sur **DOLBY NR** pour mettre le réducteur de bruit Dolby en ou hors service, en fonction de la cassette à lire.



Pour les cassettes enregistrées avec réducteur de bruit DOLBY, allumer **DOLBY NR**.

Pour les cassettes enregistrées sans réducteur de bruit DOLBY, éteindre **DOLBY NR**.

- 2 Appuyer sur **PLAY/DIR** pour démarrer la lecture.



Le compteur indique la durée de défilement de la bande.

\*Indicateur de face lue

▶: La face avant (orientée vers l'avant) est lue.

◀: La face arrière (orientée vers l'arrière) est lue.

### Pour démarrer la lecture avec la télécommande

Appuyer d'abord sur **TAPE** du récepteur stéréo ou de la télécommande. Ensuite, appuyer sur **PLAY** de la télécommande pour démarrer la lecture.

### Quand il y a des cassettes en place dans les deux platines

Appuyer d'abord sur **TAPE** pour sélectionner une platine. Le numéro de la platine sélectionnée est affiché.

Pour arrêter la lecture, appuyer sur **STOP** (ou sur **CLEAR** de la télécommande).

Pour mettre la lecture en pause, appuyer sur **PAUSE** (ou sur **SET** de la télécommande). Pour reprendre la lecture, appuyer de nouveau sur cette touche.

Pour changer de face lue, appuyer sur **PLAY/DIR** en mode lecture ou pause.

Pour obtenir une avance rapide ou un rebobinage, appuyer sur **MS** ou **MS**. Ensuite, appuyer sur **STOP** (ou sur **CLEAR** de la télécommande) pour arrêter le défilement.

### Pour démarrer la lecture quand l'alimentation est coupée (fonction de lecture directe)

Appuyer sur **TAPE** du récepteur stéréo. L'appareil est mis sous tension et la lecture de la cassette en place commence.

### Pour mettre le compteur à 0000

Appuyer sur **STOP** (ou sur **CLEAR** de la télécommande) en mode arrêt. Le compteur est aussi mis à 0000 quand le porte-cassette est ouvert et fermé.

## SENSEUR DE MUSIQUE

S'il y a un blanc de quatre secondes ou plus entre les plages, on peut retrouver facilement le début de la plage courante ou suivante pendant la lecture.

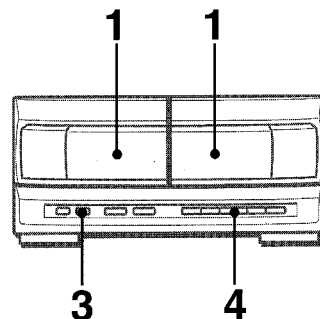
Appuyer sur **MS** ou **MS** pendant la lecture en vérifiant l'indicateur de face lue (◀ ou ▶) affiché.

Par exemple, quand on appuie sur **MS** tandis que ▶ est affiché, la lecture de la plage suivante démarre.

La fonction senseur de musique risque de ne pas pouvoir détecter les plages dans les cas suivants:

- Blancs de moins de quatre secondes entre les plages
- Blancs présentant des parasites
- Long passages de son grave
- Enregistrements à bas niveau

## LECTURE CONTINUE



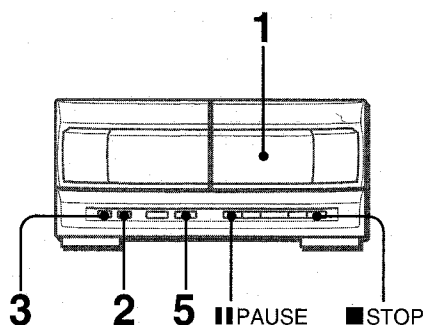
Dès que la lecture sur une platine est terminée, la lecture de la cassette de l'autre platine démarre sans interruption.

- 1 Insérer des cassettes dans les platines 1 et 2.
- 2 Appuyer sur **TAPE** du récepteur stéréo pour sélectionner la platine à utiliser en premier.
- 3 Appuyer sur **REV MODE** pour sélectionner **↔**.
- 4 Appuyer sur **PLAY/DIR** pour démarrer la lecture.

La lecture continue jusqu'à ce qu'on appuie sur **STOP**.

## ENREGISTREMENT DE BASE

Cette partie explique comment enregistrer à partir du tuner, du lecteur de disques compacts ou d'un appareil externe.

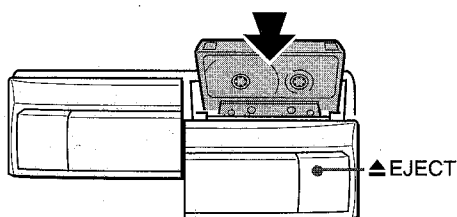


### Préparation

- Pour l'enregistrement, utiliser des cassettes de type I (normales) ou de type II (haute polarisation/CrO<sub>2</sub>).
- Bobiner la cassette jusqu'à l'endroit où on veut démarrer l'enregistrement.

### 1 Insérer la cassette à enregistrer dans la platine 2.

Insérer la cassette avec la face à enregistrer en premier orientée vers l'extérieur de l'appareil.



### 2 Appuyer sur REV MODE pour sélectionner le mode d'inversion.

Pour enregistrer sur une face seulement, sélectionner  $\Sigma$ .  
Pour enregistrer sur les deux faces, sélectionner  $\Sigma$  ou  $\Sigma$ .

### 3 Appuyer sur DOLBY NR pour mettre le réducteur de bruit Dolby en ou hors service.

Pour enregistrer avec réducteur de bruit DOLBY, allumer  $\square$  DOLBY NR.

Pour enregistrer sans réducteur de bruit DOLBY, éteindre  $\square$  DOLBY NR.

### 4 Sélectionner la fonction sur le récepteur stéréo (CD, TUNER, VIDEO/AUX ou MD) et préparer la source à partir de laquelle on veut enregistrer.

Pour enregistrer à partir d'un disque compact, appuyer sur CD et mettre le(s) disque(s) en place.

Pour enregistrer une émission de radio, appuyer sur TUNER et accorder sur une station.

Pour enregistrer à partir d'une source connectée, appuyer sur VIDEO/AUX ou MD.

### 5 Appuyer sur ● REC/REC MUTE pour démarrer l'enregistrement.

Quand la fonction sélectionnée est CD, la lecture et l'enregistrement démarrent simultanément.

**Pour arrêter l'enregistrement**, appuyer sur ■ STOP (ou sur ■ CLEAR de la télécommande).

**Pour mettre l'enregistrement en pause**, appuyer sur ■ PAUSE (ou sur ■ SET de la télécommande). Pour reprendre l'enregistrement, appuyer de nouveau sur cette touche.

### Réglage du son pendant l'enregistrement

On peut faire varier librement le volume de sortie et la tonalité (BBE et fonction génération de rythme exceptés) des enceintes ou du casque sans affecter l'enregistrement.

## INSERTION D'ESPACES BLANCS

L'insertion d'espaces blancs de quatre secondes permet de mettre la fonction senseur de musique en service.

### 1 Appuyer sur ● REC/REC MUTE pendant l'enregistrement ou pendant le mode pause d'enregistrement.

Le témoin de ● REC/REC MUTE clignote pendant quatre secondes et le ruban magnétique défile sans enregistrement de son. Au bout de quatre secondes, la platine passe au mode pause d'enregistrement.

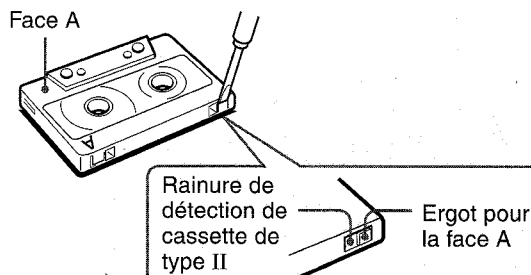
### 2 Appuyer sur ■ PAUSE pour reprendre l'enregistrement.

**Pour insérer un espace blanc de moins de quatre secondes**, appuyer de nouveau sur ● REC/REC MUTE tandis que son témoin clignote.

**Pour insérer des espaces blancs de plus de quatre secondes**, appuyer de nouveau sur ● REC/REC MUTE une fois que la platine passe au mode pause d'enregistrement. A chaque pression sur la touche, un espace blanc de quatre secondes est ajouté.

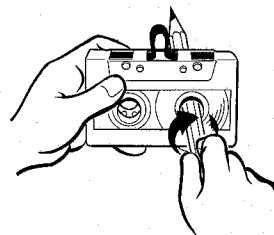
### Au sujet des cassettes

- Pour éviter tout effacement accidentel, utiliser un tournevis ou tout autre objet effilé pour casser les ergots en plastique de la cassette après l'enregistrement.



Pour enregistrer de nouveau sur la cassette, recouvrir les cavités des ergots avec du ruban adhésif ou autre. (Sur les cassettes de type II, faire attention à ne pas recouvrir la rainure de détection de cassette de type II.)

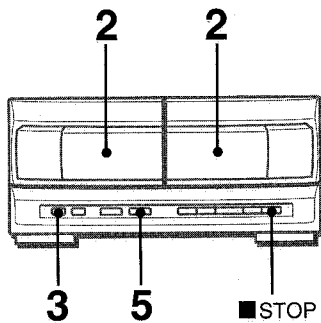
- **Le ruban magnétique des cassettes de 120 minutes ou plus** est extrêmement et se déforme ou s'endommage facilement. Ces cassettes ne sont pas recommandées.
- **Tendre le ruban magnétique** avec un crayon ou un objet similaire avant d'utiliser une cassette. Un ruban magnétique détendu peut se rompre ou s'emmêler dans le mécanisme.



### Système réducteur de bruit DOLBY

Le système de réduction de bruit Dolby réduit le souffle de la bande. Pour des performances optimales lors de la lecture d'une cassette enregistrée avec le système réducteur de bruit DOLBY, mettre le système réducteur de bruit DOLBY en service.

## DUPLICATION MANUELLE D'UNE CASSETTE



### REMARQUE

- Bobiner la cassette jusqu'à l'endroit où on veut démarrer l'enregistrement.
- Le mode d'inversion est automatiquement réglé sur  $\Sigma$ .  
Remarque que l'enregistrement ne sera fait que sur une face de la cassette.

#### 1 Appuyer sur TAPE du récepteur stéréo.

#### 2 Insérer la cassette originale dans la platine 1 et la cassette à enregistrer dans la platine 2.

Insérer chaque cassette avec la face à lire ou à enregistrer orientée vers l'extérieur de l'appareil.

#### 3 Appuyer sur DOLBY NR pour mettre le réducteur de bruit Dolby hors service.

$\square\square$ NR disparaît de l'affichage du récepteur stéréo.

#### 4 Appuyer sur TAPE du récepteur stéréo pour sélectionner la platine 1.

"TP 1" est affiché.

#### 5 Appuyer sur $\bullet$ REC/REC MUTE pour démarrer l'enregistrement.

La lecture et l'enregistrement démarrent simultanément.

#### Pour arrêter la duplication

Appuyer sur  $\blacksquare$ STOP (ou sur  $\blacksquare$ CLEAR de la télécommande).

#### Sélection du réducteur de bruit Dolby lors de la lecture de la cassette dupliquée

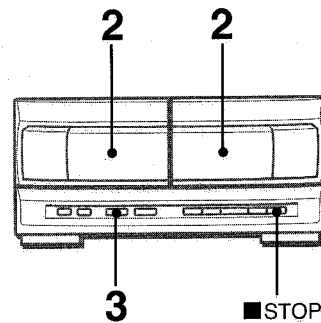
Appuyer sur DOLBY NR pour mettre le réducteur de bruit Dolby en ou hors service, en fonction de la cassette originale.

#### Pour effacer un enregistrement

S'assurer qu'aucun microphone n'est branché à cet appareil et que la fonction génération de rythme (page 12) est annulée.

- 1 Insérer la cassette à effacer dans la platine 2 et appuyer sur TAPE du récepteur stéréo pour afficher "TP 2".
- 2 Bobiner la cassette jusqu'à l'endroit où on veut démarrer l'effacement.
- 3 Régler le mode d'inversion en appuyant sur REV MODE.
- 4 Appuyer sur  $\bullet$ REC/REC MUTE pour démarrer l'effacement.

## DUPLICATION DE LA TOTALITE D'UNE CASSETTE



Cette fonction permet de faire des copies exactes des deux faces de la cassette originale. Les faces arrière des deux cassettes démarrent en même temps dès que la cassette la plus longue a été inversée.

### REMARQUE

- La duplication ne démarre pas à un point situé au milieu d'une face.
- Le mode d'inversion est automatiquement réglé sur  $\Sigma$ .
- Le réducteur de bruit Dolby n'affecte pas l'enregistrement.

#### 1 Appuyer sur TAPE du récepteur stéréo.

#### 2 Insérer la cassette originale dans la platine 1 et la cassette à enregistrer dans la platine 2.

Insérer chaque cassette avec la face à lire ou à enregistrer orientée vers l'extérieur de l'appareil.

#### 3 Appuyer une ou deux fois sur SYNC DUB pour démarrer l'enregistrement.

- ① Pour enregistrer à vitesse normale, appuyer une fois sur la touche de manière que NORM-DUB soit affiché.
- ② Pour enregistrer à grande vitesse, appuyer deux fois sur la touche de manière que HIGH-DUB soit affiché.



Les cassettes sont rebobinées jusqu'au début des faces avant, puis l'enregistrement démarre.

#### Pour arrêter la duplication

Appuyer sur  $\blacksquare$ STOP (ou sur  $\blacksquare$ CLEAR de la télécommande).

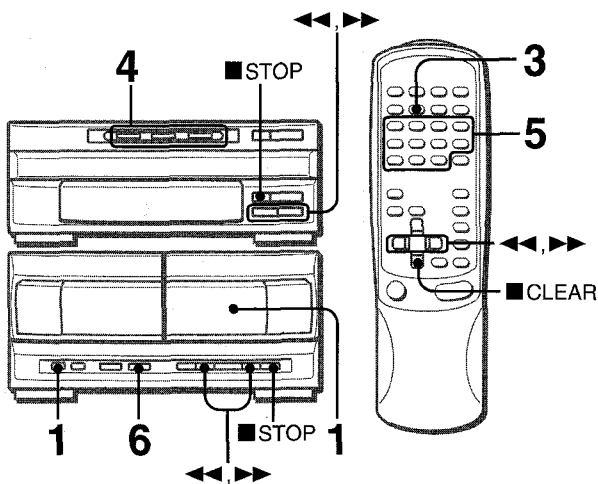
#### Sélection du réducteur de bruit Dolby lors de la lecture de la cassette dupliquée

Appuyer sur DOLBY NR pour mettre le réducteur de bruit Dolby en ou hors service, en fonction de la cassette originale.

### REMARQUE

Si l'ergot de sécurité d'une face ou l'autre de la cassette à enregistrer est absent, l'enregistrement ne démarre pas.

## ENREGISTREMENT AVEC MONTAGE ET CALCUL DU TEMPS



La fonction enregistrement avec montage et calcul du temps permet d'enregistrer à partir de disques compacts sans se préoccuper de la durée de la cassette et de la durée des plages. Quand un disque compact est en place, l'appareil calcule automatiquement la durée totale des plages. Si nécessaire, l'ordre des plages est changé de manière qu'aucune plage ne soit tronquée. (AI: Intelligence Artificielle)

### REMARQUE

L'enregistrement avec montage et calcul du temps ne démarrera pas à un point situé au milieu d'une face. La cassette doit être enregistrée à partir du début d'une de ses faces.

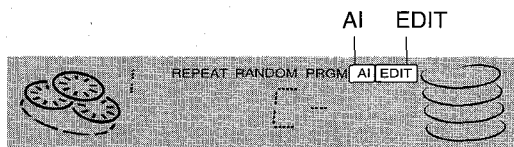
#### 1 Insérer la cassette dans la platine 2 puis appuyer sur DOLBY NR pour mettre le réducteur de bruit Dolby en ou hors service.

Insérer la cassette avec la face à enregistrer en premier orientée vers l'extérieur de l'appareil.

#### 2 Appuyer sur CD du récepteur stéréo et mettre le(s) disque(s) en place.

#### 3 Appuyer une fois sur EDIT/CHECK de la télécommande.

"EDIT" et "AI" sont mis en relief.



- Quand "PRGM" est mis en relief, appuyer de nouveau sur EDIT/CHECK.

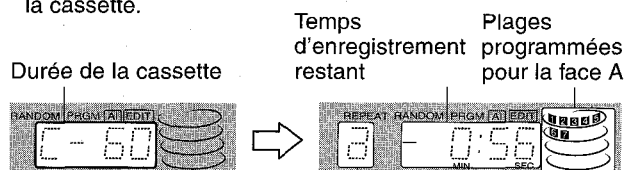
#### 4 Appuyer sur une des touches DISC DIRECT PLAY 1-3 pour sélectionner un disque.

#### 5 A l'aide des touches numériques 0-9 de la télécommande, spécifier la durée de la cassette.

On peut spécifier une durée de 10 à 99 minutes. Exemple: Quand on utilise une cassette de 60 minutes, appuyer sur 6 et 0.

En quelques secondes, les plages à enregistrer sur chaque face de la cassette sont déterminées.

- On peut aussi utiliser ◀▶ pour spécifier la durée de la cassette.



Face de la cassette  
a: Face du premier enregistrement (face A)  
b: Face du deuxième enregistrement (face B)

#### 6 Appuyer sur ● REC/REC MUTE pour démarrer l'enregistrement sur la première face.

La cassette est rebobinée jusqu'au début de la face avant, l'amorce est lue pendant dix secondes, puis l'enregistrement démarre. Une fois que l'enregistrement sur la face avant (A) est terminé, l'enregistrement sur la face arrière (B) démarre.

#### Pour arrêter l'enregistrement

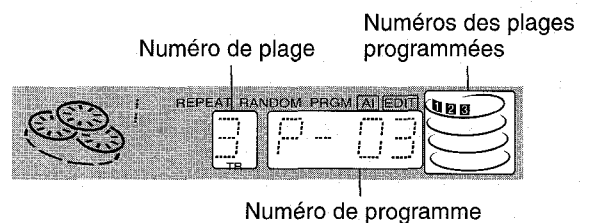
Appuyer sur ■ STOP du magnétocassette ou du lecteur de disques compacts (ou sur ■ CLEAR de la télécommande). L'enregistrement de la cassette et la lecture du disque compact s'arrêtent simultanément.

#### Pour effacer le programme du montage

Appuyer deux fois sur ■ STOP du lecteur de disques compacts (ou deux fois sur ■ CLEAR de la télécommande) en mode arrêt de manière que l'indicateur en relief "EDIT" disparaisse de l'affichage.

#### Pour contrôler l'ordre des numéros des plages programmées

Avant l'enregistrement, appuyer sur EDIT/CHECK de la télécommande pour sélectionner une face, puis appuyer à plusieurs reprises sur ◀ ou ▶ du lecteur de disques compacts.



#### Pour ajouter des plages d'autres disques au programme du montage

S'il reste du temps sur la cassette après l'étape 5, on peut ajouter des plages des autres disques situés dans le compartiment.

- 1 Appuyer sur EDIT/CHECK de la télécommande pour sélectionner une face.
- 2 Appuyer sur une des touches DISC DIRECT PLAY 1-3 pour sélectionner un disque.
- 3 Sélectionner les plages à l'aide des touches numériques de la télécommande. Une plage dont la durée de lecture est supérieure au temps restant ne peut pas être programmée.
- 4 Répéter les étapes 2 et 3 pour ajouter d'autres plages.

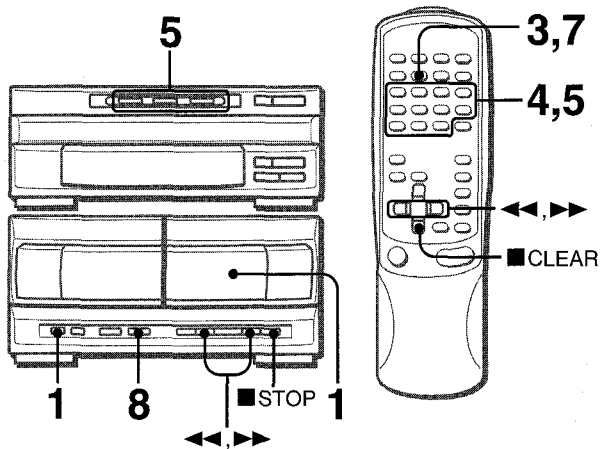
#### Durées des cassettes et temps du montage

La durée réelle d'une cassette est généralement légèrement supérieure à celle indiquée sur l'étiquette. Cet appareil peut programmer des plages pour utiliser le temps supplémentaire. Quand la durée totale d'enregistrement est légèrement supérieure à la durée spécifiée pour la cassette après le montage, l'affichage indique le temps supplémentaire (sans signe moins) au lieu du temps restant de la cassette (avec le signe moins).

### REMARQUE

- La fonction enregistrement avec montage et calcul du temps ne peut pas être utilisée avec les disques contenant 31 plages ou plus.
- Si l'ergot de sécurité d'une face ou l'autre de la cassette est absent, l'enregistrement est impossible.

## ENREGISTREMENT AVEC MONTAGE PROGRAMME



La fonction enregistrement avec montage programmé permet de programmer les plages tout en contrôlant le temps restant sur chaque face de la cassette au fur et à mesure de la programmation.

### REMARQUE

L'enregistrement avec montage programmé ne démarrera pas à un point situé au milieu d'une face. La cassette doit être enregistrée à partir du début d'une de ses faces.

**1 Insérer la cassette dans la platine 2 puis appuyer sur DOLBY NR pour mettre le réducteur de bruit Dolby en ou hors service.**

Insérer la cassette avec la face à enregistrer en premier orientée vers l'extérieur de l'appareil.

**2 Appuyer sur CD du récepteur stéréo et mettre le(s) disque(s) en place.**

**3 Appuyer deux fois sur EDIT/CHECK de la télécommande.**

"EDIT" et "PRGM" sont mis en relief.

• Quand "AI" est mis en relief, appuyer de nouveau sur EDIT/CHECK.

**4 A l'aide des touches numériques 0-9 de la télécommande, spécifier la durée de la cassette.**

On peut spécifier une durée de 10 à 99 minutes.

• On peut aussi utiliser ◀◀, ▶▶ pour spécifier la durée de la cassette.



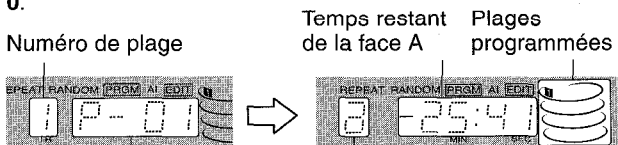
Durée de la cassette

Durée maximale d'enregistrement de la face A

**5 Appuyer sur une des touches DISC DIRECT PLAY 1-3 pour sélectionner un disque.**

**Ensuite, programmer une plage à l'aide des touches numériques 0-9 et +10 de la télécommande.**

Exemple: Pour sélectionner la dixième plage du disque 2, appuyer sur DISC DIRECT PLAY 2, puis appuyer sur +10 et 0.



Numéro de programme

Face de la cassette  
a: Face du premier enregistrement (face A)  
b: Face du deuxième enregistrement (face B)

**6 Répéter l'étape 5 pour le reste des plages de la face A.**

Une plage dont la durée de lecture est supérieure au temps restant ne peut pas être programmée.

**7 Appuyer sur EDIT/CHECK de la télécommande pour sélectionner la face B puis programmer les plages pour cette face.**

Après s'être assuré que "b" est affiché, répéter l'étape 5.



**8 Appuyer sur ● REC/REC MUTE pour démarrer l'enregistrement.**

La cassette est rebobinée jusqu'au début de la face avant, l'amorce est lue pendant dix secondes, puis l'enregistrement démarre. Une fois que l'enregistrement sur la face avant (A) est terminé, l'enregistrement sur la face arrière (B) démarre.

### Pour arrêter l'enregistrement

Appuyer sur ■ STOP du magnétocassette ou du lecteur de disques compacts (ou sur ■ CLEAR de la télécommande). L'enregistrement de la cassette et la lecture du disque compact s'arrêtent simultanément.

### Pour effacer le programme du montage

Appuyer deux fois sur ■ STOP du lecteur de disques compacts (ou deux fois sur ■ CLEAR de la télécommande) en mode arrêt de manière que l'indicateur en relief "EDIT" disparaisse de l'affichage.

### Pour contrôler l'ordre des numéros des plages programmées

En modo arrêt, appuyer sur EDIT/CHECK de la télécommande pour sélectionner une face, puis appuyer à plusieurs reprises sur ◀◀ ou ▶▶ du lecteur de disques compacts.

Numéro de disque      Numéro de programme



Numéro de plage

Numéros des plages programmées

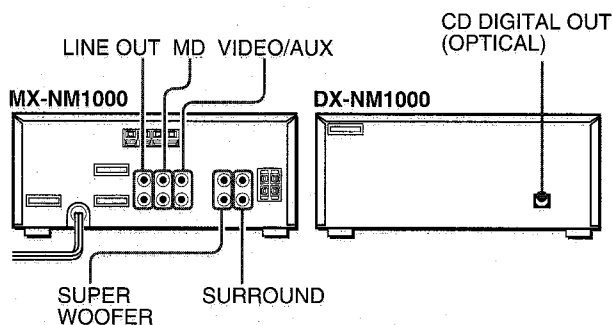
### Pour changer le programme de chaque face

Appuyer sur EDIT/CHECK de la télécommande pour sélectionner une face, puis appuyer sur ■ STOP du lecteur de disques compacts (ou sur ■ CLEAR de la télécommande) pour effacer le programme de la face sélectionnée. Ensuite, reprogrammer des plages.

### REMARQUE

- On peut programmer un maximum de 30 plages des disques en place.
- Si l'ergot de sécurité d'une face ou l'autre de la cassette est absent, l'enregistrement est impossible.

## CONNEXION D'UN APPAREIL OPTIONNEL



Pour plus de détails, se reporter au mode d'emploi de l'appareil connecté.

- Les cordons de raccordement ne sont pas fournis. Se procurer les cordons nécessaires.
- Pour les appareils optionnels disponibles, consulter le distributeur Aiwa local.

### PRISES VIDEO/AUX

Le MX-NM1000 peut entrer des signaux sonores analogiques par ces prises.

Utiliser un câble à fiches phono RCA pour connecter un appareil audio (tourne-disque, lecteur de disque laser, lecteur de minidisque, magnétophone, téléviseur, etc.).

Connecter la fiche rouge à la prise **VIDEO/AUX R** et la fiche blanche à la prise **VIDEO/AUX L**.

#### Quand on connecte un tourne-disque

Utiliser un tourne-disque Aiwa muni d'un amplificateur à égaliseur intégré.

### PRISES MD

Il est recommandé d'utiliser ces prises pour connecter un lecteur de minidisque.

Utiliser un câble à fiches phono RCA.

Connecter la fiche rouge à la prise **MD R** du MX-NM1000 et la fiche blanche à la prise **MD L**.

### PRISES LINE OUT

Le MX-NM1000 peut sortir des signaux sonores analogiques par ces prises.

Utiliser un câble à fiches phono RCA pour connecter un appareil audio muni de prises **LINE IN** (entrée analogique).

Connecter la fiche rouge à la prise **LINE OUT R** et la fiche blanche à la prise **LINE OUT L**.

#### REMARQUE

Ne pas connecter un appareil aux prises **LINE OUT** et aux prises **VIDEO/AUX** en même temps. Cela générerait des parasites et provoquerait une panne.

### PRISES SURROUND

Connecter des enceintes surround optionnelles d'une impédance de 8 à 16 ohms aux prises **SURROUND** du MX-NM1000.

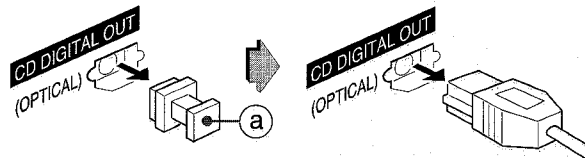
### PRISES SUPER WOOFER

Connecter un caisson de graves alimenté optionnel à amplificateur intégré aux prises **SUPER WOOFER** du MX-NM1000.

### PRISE CD DIGITAL OUT (OPTICAL)

Le DX-NM1000 peut sortir des signaux sonores numériques de disque compact par cette prise. Utiliser un câble optique pour connecter un appareil audio numérique (platine DAT, enregistreur de minidisque, etc.).

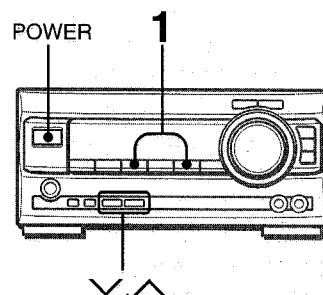
Enlever le capuchon antipoussière **a** de la prise **CD DIGITAL OUT (OPTICAL)**. Ensuite, connecter la fiche d'un câble optique à cette prise.



#### Quand la prise CD DIGITAL OUT (OPTICAL) n'est pas utilisée

Mettre en place le capuchon antipoussière fourni.

## ECOUTE DE SOURCES EXTERNES



Pour utiliser l'appareil connecté aux prises **VIDEO/AUX** ou **MD**, procéder de la manière suivante.

#### 1 Appuyer sur VIDEO/AUX ou MD.

Pour utiliser l'appareil connecté à **VIDEO/AUX**, appuyer sur **VIDEO/AUX**. "VIDEO" apparaît sur l'affichage.

Pour utiliser l'appareil connecté à **MD**, appuyer sur **MD**. "MD" apparaît sur l'affichage.

#### 2 Mettre l'appareil connecté en lecture.

#### Pour changer le nom de source sur l'affichage

Quand on appuie sur **VIDEO/AUX**, "VIDEO" est affiché initialement. On peut remplacer ce nom par "AUX" ou "TV".

L'appareil étant sous tension, appuyer sur **POWER** tout en appuyant sur **VIDEO/AUX**.

Répéter cette procédure pour sélectionner un des noms.

#### Pour régler le niveau sonore de la source externe

Quand le niveau sonore de la source externe est beaucoup plus élevé ou beaucoup plus faible que celui des autres sources, le régler de la façon suivante.

1 Appuyer sur **VIDEO/AUX** ou **MD** et mettre l'appareil en lecture.

2 Appuyer sur **∇** ou **∧** de manière que le niveau sonore soit le même que celui des autres sources.

#### REMARQUE

Pendant l'enregistrement, le niveau sonore ne peut pas être réglé.

## SOINS ET ENTRETIEN

Un entretien et des soins réguliers de l'appareil et des disques et cassettes sont nécessaires pour assurer un fonctionnement optimal.

### Nettoyage du coffret

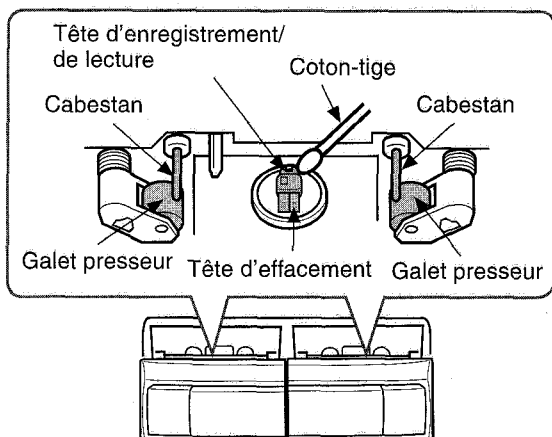
Utiliser un chiffon doux et sec.

Si l'appareil est extrêmement sale, utiliser un chiffon doux légèrement imbibé d'une solution détergente douce. Afin de ne pas altérer le fini de l'appareil, ne pas utiliser de solvants forts, tels que l'alcool, de la benzine ou du diluant.

### Nettoyage des têtes et des chemins de bande

Toutes les dix heures d'utilisation, nettoyer les têtes et les chemins de bande avec une cassette de nettoyage ou un coton-tige imbibé d'un liquide de nettoyage ou d'alcool dénaturé. (Des kits de nettoyage sont disponibles dans le commerce.)

Lors du nettoyage avec un coton-tige, essuyer la tête d'enregistrement/de lecture (platine 2 seulement), la tête d'effacement (platine 2 seulement), les cabestans et les galets presseurs.



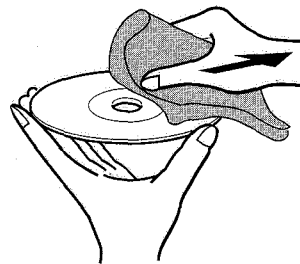
Après le nettoyage des têtes et des chemins de bande avec une cassette de nettoyage à liquide ou avec un coton-tige imbibé, attendre que les parties nettoyées soient complètement sèches avant de mettre des cassettes en place.

### Pour démagnétiser les têtes

A la longue, les têtes peuvent devenir magnétisées. Ceci peut restreindre la plage de sortie des cassettes enregistrées et augmenter le bruit. A l'aide d'un dispositif de démagnétisation disponible dans le commerce, démagnétiser les têtes toutes les 20 à 30 heures d'utilisation.

### Soin des disques

- Quand un disque est sale, l'essuyer du centre vers l'extérieur avec un chiffon de nettoyage.



- Après la lecture d'un disque, le ranger dans son étui. Ne pas laisser le disque dans un endroit chaud ou humide.

### Soin des cassettes

- Après l'utilisation, ranger les cassettes dans leurs boîtes.
- Ne pas laisser les cassettes près d'un aimant, d'un moteur électrique, d'un téléviseur ou de toute autre source de champ magnétique. Cela diminuerait la qualité sonore et provoquerait du souffle.
- Ne pas exposer les cassettes au soleil ni les laisser dans un véhicule garé au soleil.

## EN CAS DE PROBLEME

Si l'appareil ne fonctionne pas comme décrit dans ce mode d'emploi, contrôler le guide suivant.

### GENERALITES

#### Il n'y a pas de son.

- Le cordon secteur est-il branché correctement?
- N'y a-t-il pas une mauvaise connexion? (→ page 4)
- Il y a peut-être un court-circuit dans les bornes d'enceinte.  
→ Débrancher le cordon secteur puis corriger les connexions d'enceinte.
- Une touche de fonction incorrecte n'est-elle pas en service?

#### Le son ne sort que par une seule enceinte.

- L'autre enceinte n'est-elle pas déconnectée?

#### Le son sorti n'est pas stéréophonique.

- La fonction Karaoke n'est-elle pas en service? (→ page 19)

#### Un affichage ou un fonctionnement erroné se produit.

→ Réinitialiser l'appareil. Voir "Pour réinitialiser".

### RECEPTEUR STEREO

#### Il y a des charges statiques constantes en forme d'onde.

- L'antenne est-elle connectée correctement? (→ page 5)
- Le signal n'est-il pas faible?  
→ Connecter une antenne extérieure.

#### La réception présente des parasites ou le son présente de la distorsion.

- Le système ne capte-t-il pas des bruits extérieurs ou des ondes réfléchies?  
→ Changer l'orientation de l'antenne.  
→ Eloigner l'appareil d'autres appareils électriques.

### MAGNETOCASSETTE

#### La bande ne défile pas.

- La platine n'est-elle pas en mode pause? (→ page 25)

#### Le son est déséquilibré ou trop faible.

- La tête de lecture n'est-elle pas sale? (→ page 31)

#### L'enregistrement est impossible.

- Un ergot de sécurité de la cassette n'est-il pas absent? (→ page 26)
- La tête d'enregistrement n'est-elle pas sale? (→ page 31)

#### L'effacement est impossible.

- La tête d'effacement n'est-elle pas sale? (→ page 31)
- Une cassette au métal n'est-elle pas utilisée?

#### Il n'y a pas de sons aigus.

- La tête d'enregistrement/de lecture n'est-elle pas sale? (→ page 31)
- Une cassette enregistrée sans réducteur de bruit Dolby n'est-elle pas lue avec le système réducteur de bruit Dolby en service? (→ page 25)

### LECTEUR DE DISQUES COMPACTS

#### La lecture ne fonctionne pas.

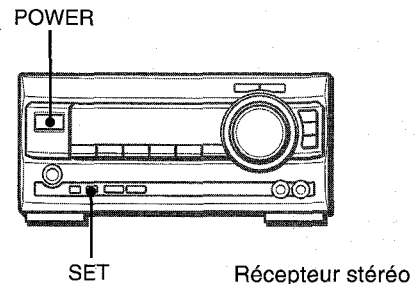
- Le disque est-il correctement mis en place? (→ page 20)
- Le disque n'est-il pas sale? (→ page 31)
- N'y a-t-il pas de la condensation sur la lentille?  
→ Attendre environ une heure puis essayer de nouveau.

### Pour réinitialiser

Si une anomalie apparaît sur les fenêtres d'affichage ou dans le magnétocassette, réinitialiser l'appareil de la façon suivante.

- 1 Appuyer sur **POWER** pour couper l'alimentation.
- 2 Appuyer sur **POWER** tout en appuyant sur **SET** pour remettre l'appareil sous tension. Toutes les données mémorisées après l'achat sont effacées.

Si à l'étape 1 l'alimentation ne peut pas être coupée du fait d'une anomalie, réinitialiser en débranchant le cordon secteur puis le rebrancher. Ensuite, effectuer l'étape 2.





# SPECIFICATIONS

## RECEPTEUR STEREO MX-NM1000

### Partie tuner FM

Plage d'accord	87,5 MHz à 108 MHz
Sensibilité utile (IHF)	13,2 dBf
Bornes d'antenne	75 ohms (asymétrique)

### Partie tuner AM

Plage d'accord	530 kHz à 1710 kHz (par pas de 10 kHz) 531 kHz à 1602 kHz (par pas de 9 kHz)
Sensibilité utile	350 µV/m
Antenne	Antenne cadre

### Partie amplificateur

Puissance de sortie	65 W + 65 W (de 50 Hz à 20 kHz, DHT inférieure à 1%, 6 ohms)
Distorsion harmonique totale	0,1% (8 W, 1 kHz, 6 ohms, AUDIO DIN)
Entrées	VIDEO/AUX: 150 mV (réglable) MD: 150 mV (réglable) MIC 1, MIC 2: 1 mV (10 kΩ) LINE OUT: 210 mV
Sorties	SPEAKERS: acceptent des enceintes de 6 ohms ou plus SURROUND SPEAKERS: acceptent des enceintes de 8 à 16 ohms PHONES (prise stéréo): accepte un casque de 32 ohms ou plus

### Généralités

Allimentation électrique	Secteur 120 V, 60 Hz
Puissance absorbée	105 W
Dimensions de l'appareil principal (L x H x P)	260 x 121,5 x 345 mm
Poids de l'appareil principal	5,8 kg

## MAGNETOCASSETTE FX-NM1000

Format de piste	4 pistes, 2 canaux stéréo
Réponse en fréquence	Cassette de type II (haute polarisation/CrO <sub>2</sub> ): 50 Hz - 16000 Hz Cassette de type I (normale): 50 Hz - 15000 Hz
Rapport signal/bruit	60 dB (Réducteur de bruit Dolby B en service, Cassette de type II, niveau de crête)
Système d'enregistrement	Polarisation CA
Têtes	1 tête de lecture (platine 1) 1 tête d'enregistrement/de lecture, 1 tête d'effacement (platine 2)
Dimensions de l'appareil principal (L x H x P)	260 x 121,5 x 318 mm
Poids de l'appareil principal	1,8 kg

## LECTEUR DE DISQUES COMPACTS DX-NM1000

Laser	Laser à semi-conducteurs ( $\lambda = 780$ nm)
Convertisseur N/A	1 bit, double
Rapport signal/bruit	85 dB (1 kHz, 0 dB)
Distorsion harmonique	0,05% (1 kHz, 0 dB)
Pleurage et scintillement	En deçà du seuil mesurable
Dimensions de l'appareil principal (L x H x P)	260 x 106 x 318 mm
Poids de l'appareil principal	2,2 kg

## EGALISEUR GRAPHIQUE GE-NM1000

Dimensions de l'appareil principal (L x H x P)	260 x 100,5 x 322 mm
Poids de l'appareil principal	1,0 kg

## ENCEINTES ACOUSTIQUES SX-NMT1000


Type de caisson	3 voies (type à blindage antimagnétique)
Haut-parleurs	Haut-parleur de grave: 2 cônes de 140 mm Haut-parleur d'aigu: cône de 60 mm Super-tweeter: céramique 20 mm
Impédance	6 ohms
Niveau de pression acoustique de sortie	88 dB/W.m
Dimensions (L x H x P)	220 x 440 x 250 mm
Poids	5,8 kg

Les spécifications et l'aspect extérieur peuvent être modifiés sans préavis.

### BBE SYSTEM

L'expression "BBE" et le symbole "BBE" sont des marques déposées de BBE Sound, Inc. Sous licence de BBE Sound, Inc.

### DOLBY NR

Réduction de bruit Dolby fabriqué sous licence de Dolby Laboratories Licensing Corporation. DOLBY et le symbole double-D  sont des marques de Dolby Laboratories Licensing Corporation.

### DROITS D'AUTEUR

Prière de vérifier les lois sur la propriété artistique relatives à l'enregistrement de disques, de la radio ou de cassettes dans le pays d'utilisation de l'appareil.

### ATTENTION

L'apport de modifications ou de réglages à ce produit sans l'approbation formelle du fabricant peut annuler le droit ou le pouvoir de l'utiliser.





---

For assistance and information,

***call toll free 1-800-BUY-AIWA.*** (United States and Puerto Rico)

---